

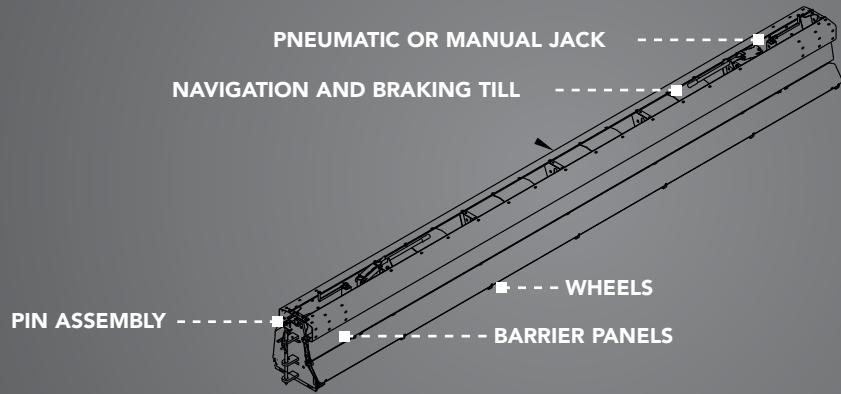
## ARMORGUARD® BARRIER | MOVABLE LONGITUDINAL STEEL BARRIER

- ANCHORLESS INSTALLATION
- LOW DEFLECTION
- NCHRP 350 TL-3 ACCEPTED



**PHYSICAL SPECIFICATIONS**

Classification	Longitudinal Barrier	
Length	26'	8 m
Width	28"	710 mm
Height	33"	840 mm
Weight	3300 lb.	1800 kg
Unanchored TL-3 Deflection	76"	1.9 m



**DESIGNED FOR SAFE, FAST, & EASY BARRIER DEPLOYMENT**

The ArmorGuard Movable Steel Barrier is designed for short term - short duration work zones where maximum portability and low deflection is needed. Each ArmorGuard Section is 26' (8 m) long. The ArmorGuard System can be quickly and easily opened and positioned without electricity or heavy equipment. ArmorGuard Steel Barrier Sections are easily raised and lowered manually or with optional compressed air. Sections can be moved laterally with a forklift, pickup truck or by hand. Barrier can also be moved longitudinally with a pickup truck. Sections can also be attached or joined to create controlled access gates.

**FREQUENTLY ASKED QUESTIONS**

**What is the minimum length of barrier needed to meet NCHRP 350 Criteria?**  
To meet NCHRP 350 TL-2 four sections are required, for NCHRP 350 TL-3 eight sections are required.

**Are end treatments available?**  
Yes, The ABSORB 350 System easily attaches to the ArmorGuard Barrier. The ABSORB 350 System can be moved while attached to the ArmorGuard Barrier with the use of an optional wheel / jack assembly.

**What needs to be done to move the ArmorGuard Barrier System?**  
The ArmorGuard Barrier is raised to engage the wheels either manually or with compressed air. Two workers can push the ArmorGuard Barrier to the desired location, or it can be moved with a vehicle or piece of equipment. When the ArmorGuard Barrier is in the desired location it is then lowered into deployed stationary mode.

**FEATURES**

- » Quick and easy deployment
- » Can be moved laterally or longitudinally to optimize traffic flow and work zone space
- » High mobility provides flexibility
- » Low deflection
- » Pneumatic option for wheel activation available
- » Rubber pads and wheels protect road surface during moves
- » No special equipment required at work site
- » No electrical / control systems required to operate

**DISTRIBUTED BY:**



Lindsay Transportation Solutions Sales and Services, Inc.

180 River Road • Rio Vista, CA 94571 • +1 707.374.6800 U.S. Toll Free: 888.800.3691 • [www.barriersystemsinc.com](http://www.barriersystemsinc.com)

General details for the ArmorGuard Barrier System are subject to change without notice to reflect improvements and upgrades.

Additional information is available from Lindsay Transportation Solutions Sales and Services, Inc. © Lindsay Transportation Solutions, Inc.

PT # AGB04-03252013