

TAU TUBE™

PARALLEL REDIRECTIVE CRASH CUSHION 50, 80, 100 AND 110KM/H

REDIRECTIVE CRASH CUSHION XL 80, 100 AND 110KM/H





INSTALLATION AND ASSEMBLY MANUAL

INDEX

Preface	3
Introduction	3
CE Marking	4
Drawings and BOM TAU Tube™ P110 with threaded bars	10
Drawings and BOM TAU Tube™ P100 with threaded bars	16
Drawings and BOM TAU Tube™ P80 with threaded bars	22
Drawings and BOM TAU Tube™ P50 with threaded bars	28
Drawings and BOM TAU Tube™ P110 with fixing bars	34
Drawings and BOM TAU Tube™ P100 with fixing bars	40
Drawings and BOM TAU Tube™ P80 with fixing bars	46
Drawings and BOM TAU Tube™ P50 with fixing bars	52
Drawings and BOM TAU Tube™ P110 on plate	58
Drawings and BOM TAU Tube™ XL110 with threaded bars	64
Drawings and BOM TAU Tube™ XL100 with threaded bars	71
Drawings and BOM TAU Tube™ XL80 with threaded bars	78
Drawings and BOM TAU Tube™ XL110 with fixing bars	85
Drawings and BOM TAU Tube™ XL100 with fixing bars	93
Drawings and BOM TAU Tube™ XL80 with fixing bars	99
Before installation	106
Equipment required	106
List of components	107
Preparation for installation	110
Preassembled system	110
Unassembled system	111
PARALLEL VERSIONS	111
V-SHAPED VERSIONS	118
Pre-assembled system on plate	120
Ground and foundations	121
Grout - Use and Storage	121
Drilling and foundation plans TAU Tube™ P110 with threaded bars	122
Drilling and foundation plans TAU Tube™ P100 with threaded bars	123
Drilling and foundation plans TAU Tube™ P80 with threaded bars	124
Drilling and foundation plans TAU Tube™ P50 with threaded bars	125
Drilling and foundation plans TAU Tube™ P110 with fixing bars	126
Drilling and foundation plans TAU Tube™ P100 with fixing bars	127
Drilling and foundation plans TAU Tube™ P80 with fixing bars	128
Drilling and foundation plans TAU Tube™ P50 with fixing bars	129
Inspection, maintenance	130
Repairs	130
Connections	130
Summery table of tightenings	131

PREFACE

The Snoline S.p.A. TAU Tube™ system combines the best engineering solutions and the best and latest materials for road safety. Like any road safety system, the TAU Tube™ must be properly installed to ensure proper performance. The installation instructions must be fully known and understood before commencing installation.

If you need clarification for the TAU Tube™ call the Technical Office of Snoline S.p.A. at +39 029099.

INTRODUCTION

The TAU Tube™ system has been tested to meet the requirements of standard EN 1317 part 3.

The TAU Tube™ system is a redirective crash cushion designed to protect hazard points such as tube caps, toll booths, poles and similar high hazard points.

The redirective crash cushion is a road restraint system whose primary function is to increase road safety; it is designed to safely decelerate and redirect a vehicle in case of collision. Therefore, this type of system is particularly suitable for hazard points where increased safety is desired for motorists.

The TAU Tube™ system has been tested according to EN 1317 part 3 and parte 1 pt the CSI lab and has obtained the CE marking, certificate N°1608 CPR P158A in the version fixing bar and N°1608 CPR P158B in the version threaded bar, issued by the notified body IGQ Italian Institute of Quality Assurance with registered office at Viale Sarca 223, 20126 Milan.

The table below shows the tests carried out on the TAU Tube™ system.

TEST REPORT LIST					
Test Report	LAB	Test	Product	Test	Class
017/ME/HRB/14	C.S.I.	TC 1.3.110	TAU Tube™	1	B
023/ME/HRB/14	C.S.I.	TC 1.1.100	TAU Tube™	1	B
024/ME/HRB/14	C.S.I.	TC 2.1.100	TAU Tube™	2	B
029/ME/HRB/14	C.S.I.	TC 4.3.110	TAU Tube™	4	B
031/ME/HRB/14	C.S.I.	TC 5.3.110	TAU Tube™	5	B
043/ME/HRB/14	C.S.I.	TC 3.3.110	TAU Tube™	3	B
073/ME/HRB/14	C.S.I.	TC 1.2.100	TAU Tube™	1	B
090/ME/HRB/14	C.S.I.	TC 1.2.80	TAU Tube™	1	B
102/ME/HRB/14	C.S.I.	TC 1.1.50	TAU Tube™	1	B
0022/ME/HRB/15	C.S.I.	TC 4.3.110	TAU Tube™	4	B
0028/ME/HRB/15	C.S.I.	TC 1.1.100	TAU Tube™	1	B
0052/ME/HRB/15	C.S.I.	TC 4.2.100	TAU Tube™	4	B
0053/ME/HRB/15	C.S.I.	TC 4.2.80	TAU Tube™	4	B

Certificate of constancy of performance

1608 CPR P158A

In compliance with Regulation 305/2011/EU of the European Parliament and of the Council of 9 March 2011 (the Construction Products Regulation or CPR), this certificate applies to the construction product:

**Vehicle restraint system
Redirective crash cushion TAU Tube family with fixing bar**

whose characteristics are detailed in the attached annex,
produced by or for

Snoline Spa

Via F. Baracca, 19/23 20056 Trezzo s/Adda MI - IT

and produced in the manufacturing plant(s)

Trezzo s/Adda - IT

This certificate attests that all provisions concerning the assessment and verification of performance described in Annex ZA of the standard

EN 1317-5:2007+A2:2012/AC:2012

under system 1 are applied and that

the product fulfils all the prescribed requirements set out above.

This certificate was first issued on **07/07/2014** and will remain valid as long as the test method and/or factory production control requirements included in the harmonised standard, used to assess the performance of the declared characteristics, do not change, and the product, and the manufacturing conditions in the plant are not modified significantly.

Current issue: **06/11/2015**

The Director
Ing. Dario Agalbato
Dario Agalbato

APPENDIX 1 TO CERTIFICATE 1608 CPR P158A

Performance under impact of

Redirective crash cushion TAU Tube Family with fixing bar¹⁾

Product name ²⁾	Type of test ²⁾	Test Report	Technical drawing	Performance level	Impact severity	Lateral displacement	Redirection zone	Durability
TAU Tube P110	TC1.3.110	017/ME/HRB/14 SNO/04/15	085U11CYFB- EXP Rev.0 TAU0024 Rev.F	110	B	D1	Z1	Hot dipped galvanized steel components in accordance with UNI ISO 1461 ⁴⁾ and polyethylene components
TAU Tube P110	TC1.1.100	023/ME/HRB/14 SNO/04/15	085U11CYFB- EXP Rev.0 TAU0024 Rev.F	110	B	D1	Z1	
TAU Tube P110	TC2.1.100	024/ME/HRB/14 SNO/04/15	085U11CYFB- EXP Rev.0 TAU0024 Rev.F	110	B	D1	Z2	
TAU Tube P110	TC4.3.110	029/ME/HRB/14 SNO/04/15	085U11CYFB- EXP Rev.0 TAU0024 Rev.F	110	B	D1	Z1	
TAU Tube P110	TC5.3.110	031/ME/HRB/14 SNO/04/15	085U11CYFB- EXP Rev.0 TAU0024 Rev.F	110	B	D1	Z1	
TAU Tube P110	TC3.3.110	043/ME/HRB/14 SNO/04/15	085U11CYFB- EXP Rev.0 TAU0024 Rev.F	110	B	D1	Z2	
TAU Tube P100	TC1.2.100	073/ME/HRB/14 SNO/04/15	085U10CYFB- EXP Rev.0 TAU0024 Rev.F	100	B	D1	Z1	
TAU Tube P80	TC1.2.80	090/ME/HRB/14 Rev.1 SNO/04/15	085U08CYFB- EXP Rev.0 TAU0024 Rev.F	80	B	D1	Z1	
TAU Tube P50	TC1.1.50	102/ME/HRB/14 SNO/04/15	085U05CYFB- EXP Rev.0 TAU0024 Rev.F	50	B	D1	Z1	

1) Crash cushion TAU Tube Family with fixing bar is a modified product from crash cushion TAU Tube Family with threaded bar, in conformity with the provision of section A.3 of EN 1317-5:2012 (Rel. SNO/04/15)

2) See the relevant installation and maintenance manuals for fixing devices on ground with fixing bar on asphalt (Manual TAU Tube Family Rev.11)

3) According to EN 1317-3:2010.

4) Can be installed rails with improved resistance to atmospheric corrosion steel.

first issue: **07/07/2014**
current issue: **06/11/2015**

The Director
Ing. Dario Agalbato
Dario Agalbato

APPENDIX 2 TO CERTIFICATE **1608 CPR P158A**

Performance under impact of

Redirective crash cushion TAU Tube Family with fixing bar¹⁾

Product name ²⁾	Type of test ³⁾	Test Report	Technical drawing	Performance level	Impact severity	Lateral displacement	Redirection zone	Durability
TAU Tube XL P110	TC4.3.110	0022/ME/HRB/15 Rev.1 SNO/04/15	260U11CYT4- EXP rev. 0 TAU0024 Rev.F	110	B	D1	Z1	Hot dipped galvanized steel components in accordance with UNI ISO 1461 ⁴⁾ and polyethylene components
TAU Tube XL P110	TC1.1.100	0028/ME/HRB/15 SNO/04/15	260U11CYT4- EXP rev. 0 TAU0024 Rev.F	110	B	D1	Z1	
TAU Tube XL P100	TC4.2.100	0052/ME/HRB/15 SNO/04/15	260U10CYT4- EXP rev. 0 TAU0024 Rev.F	100	B	D1	Z1	
TAU Tube XL P80	TC4.2.80	0053/ME/HRB/15 SNO/04/15	260U08CYT4- EXP rev. 0 TAU0024 Rev.F	80	A	D1	Z1	

1) Crash cushion TAU Tube Family with fixing bar is a modified product from crash cushion TAU Tube Family with threaded bar, in conformity with the provision of section A.3 of EN 1317-5:2012 (Rel. SNO/04/15)
2) See the relevant installation and maintenance manuals for fixing devices on ground with fixing bar on asphalt (Manual TAU Tube Family Rev.11)
3) According to EN 1317-3:2010.
4) Can be installed rails with improved resistance to atmospheric corrosion steel.

first issue: **07/07/2014**
current issue: **06/11/2015**

The Director
ing. Dario Agalbato
Dario Agalbato

Certificate of constancy of performance

1608 CPR P158B

In compliance with Regulation 305/2011/EU of the European Parliament and of the Council of 9 March 2011 (the Construction Products Regulation or CPR), this certificate applies to the constructions product:

**Vehicle restraint system
Redirective crash cushion TAU Tube family with threaded bar**

whose characteristics are detailed in the attached annex,
produced by or for

Snoline Spa

Via F. Baracca, 19/23 20056 Trezzo s/Adda MI - IT

and produced in the manufacturing plant(s)

Trezzo s/Adda - IT

This certificate attests that all provisions concerning the assessment and verification of performance described in Annex ZA of the standard

EN 1317-5:2007+A2:2012/AC:2012

under system 1 are applied and that

the product fulfils all the prescribed requirements set out above.

This certificate was first issued on **07/07/2014** and will remain valid as long as the test method and/or factory production control requirements included in the harmonised standard, used to assess the performance of the declared characteristics, do not change, and the product, and the manufacturing conditions in the plant are not modified significantly.

Current issue: **06/11/2015**

The Director
ing. Dario Agalbato
Dario Agalbato

APPENDIX 1 TO CERTIFICATE **1608 CPR P158B**
Performance under impact of
Redirective crash cushion TAU Tube family with threaded bar

Product name ¹⁾	Type of test ²⁾	Test Report	Technical drawing	Performance level	Impact severity	Lateral displacement	Redirection zone	Durability
TAU Tube P110	TC1.3.110	017/ME/HRB/14	085U11CYT4-EXP Rev.D	110	B	D1	Z1	Hot dipped galvanized steel components in accordance with UNI ISO 1461 ³⁾ and polyethylene components
TAU Tube P110	TC1.1.100	023/ME/HRB/14	085U11CYT4-EXP Rev.D	110	B	D1	Z1	
TAU Tube P110	TC2.1.100	024/ME/HRB/14	085U11CYT4-EXP Rev.D	110	B	D1	Z2	
TAU Tube P110	TC4.3.110	029/ME/HRB/14	085U11CYT4-EXP Rev.D	110	B	D1	Z1	
TAU Tube P110	TC5.3.110	031/ME/HRB/14	085U11CYT4-EXP Rev.D	110	B	D1	Z1	
TAU Tube P110	TC3.3.110	043/ME/HRB/14	085U11CYT4-EXP Rev.D	110	B	D1	Z2	
TAU Tube P100	TC1.2.100	073/ME/HRB/14	085U10CYT4-EXP Rev.A	100	B	D1	Z1	
TAU Tube P80	TC1.2.80	090/ME/HRB/14 Rev.1	085U08CYT4-EXP Rev.A	80	B	D1	Z1	
TAU Tube P50	TC1.1.50	102/ME/HRB/14	085U05CYT4-EXP Rev.B	50	B	D1	Z1	

- 1) See the relevant installation and maintenance manuals for fixing devices on ground with threaded bar on concrete (Manual TAU Tube Family Rev.11)
2) According to EN 1317-3:2010.
3) Can be installed rails with improved resistance to atmospheric corrosion steel.

first issue: **07/07/2014**
current issue: **06/11/2015**

The Director
ing. Dario Agalbato
Dario Agalbato

APPENDIX 2 TO CERTIFICATE **1608 CPR P158B**
Performance under impact of
Redirective crash cushion TAU Tube family with threaded bar

Product name ¹⁾	Type of test ²⁾	Test Report	Technical drawing	Performance level	Impact severity	Lateral displacement	Redirection zone	Durability
TAU Tube XL P110	TC4.3.110	0022/ME/HRB/15 Rev.1	260U11CYT4-EXP rev.0	110	B	D1	Z1	Hot dipped galvanized steel components in accordance with UNI ISO 1461 ³⁾ and polyethylene components
TAU Tube XL P110	TC1.1.100	0028/ME/HRB/15	260U11CYT4-EXP rev.0	110	B	D1	Z1	
TAU Tube XL P100	TC4.2.100	0052/ME/HRB/15	260U10CYT4-EXP rev.0	100	B	D1	Z1	
TAU Tube XL P80	TC4.2.80	0053/ME/HRB/15	260U08CYT4-EXP rev.0	80	A	D1	Z1	

- 1) See the relevant installation and maintenance manuals for fixing devices on ground with threaded bar on concrete (Manual TAU Tube Family Rev.11)
2) According to EN 1317-3:2010.
3) Can be installed rails with improved resistance to atmospheric corrosion steel.

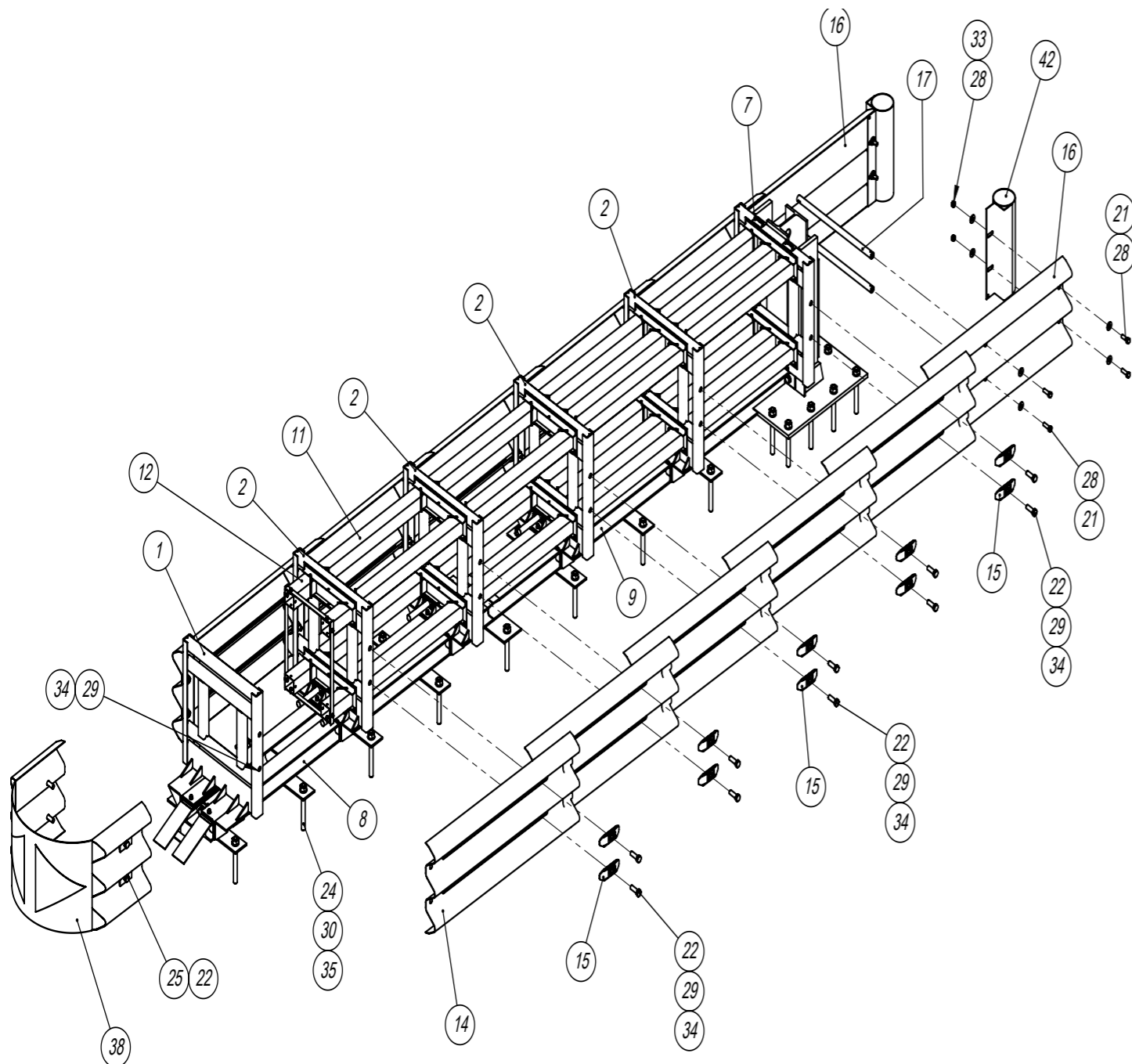
first issue: **07/07/2014**
current issue: **06/11/2015**

The Director
ing. Dario Agalbato
Dario Agalbato

DRAWINGS AND BOM

On the following pages drawings and BOMs of all TAU Tube™ family products are reported, which are currently manufactured.

DRAWINGS AND BOM TAU TUBE™ P110 WITH THREADED BARS

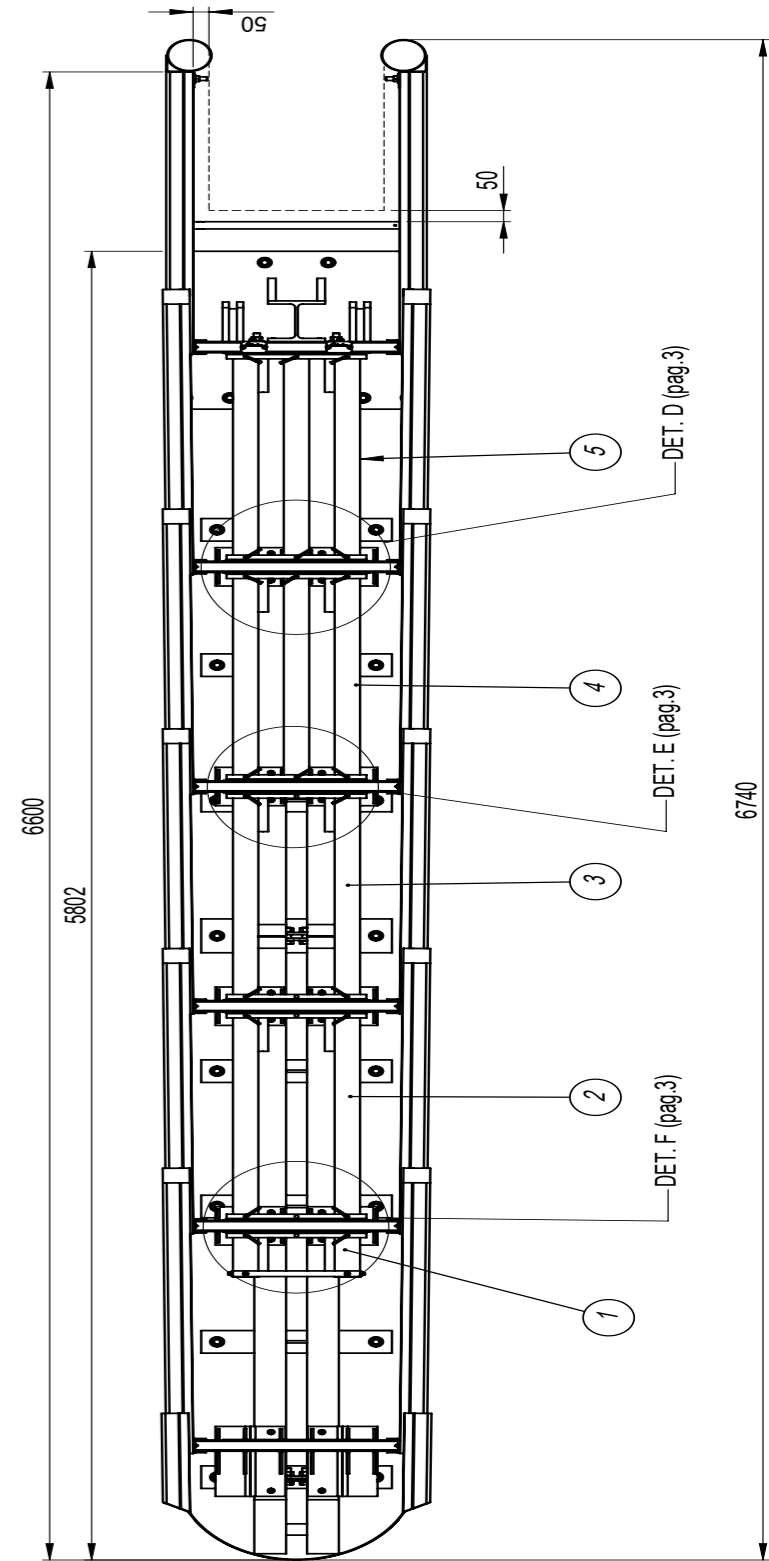
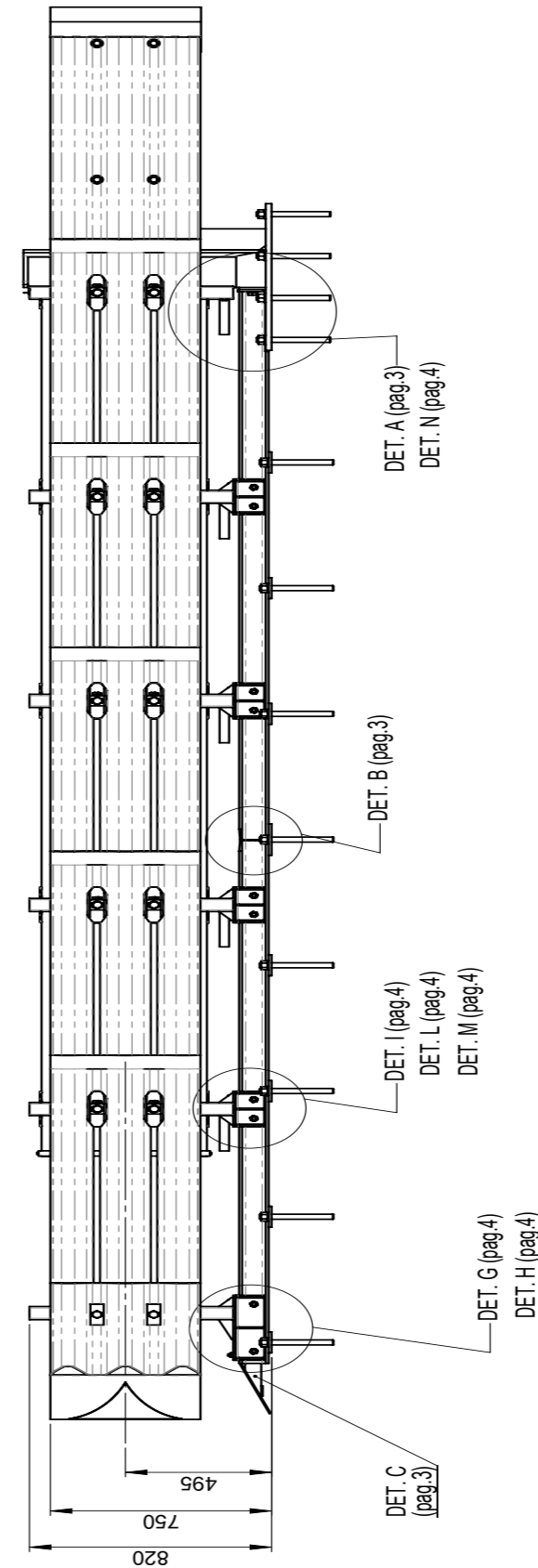
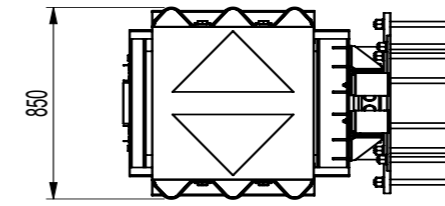


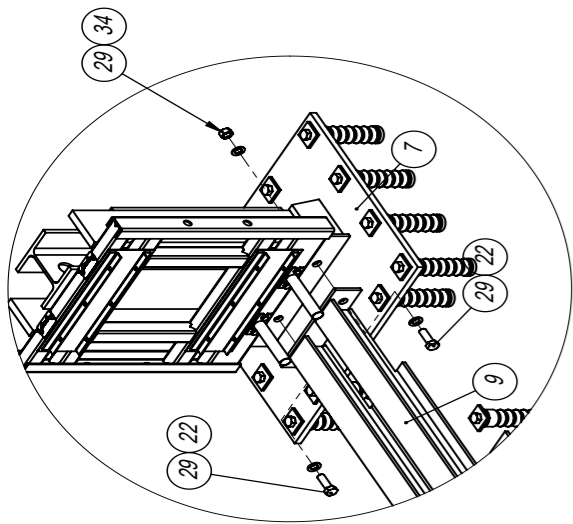
TAU TUBE™ P110 THREADED BARS

POS.	DESCRIZIONE (IT)	DESCRIPTION (ENG)	kg	CODE	QTY.
1	Supporto anteriore	Front support	43,0	TUB0024	1
2	Supporto intermedio	Intermediate support	41,3	TUB0021	4
3	Rotella per carrello	Small wheel	1,2	TUB0025	20
4	Pannello anteriore	Front panel	0,7	TUB0038	2
5	Pannello	Panel	0,4	TUB0027	8
6	Ammortizzatore	Shock absorber	0,3	TUB0042	10
7	Gruppo posteriore	Backstop	233,4	TUB0008	1
8	Guida anteriore	Front rail	124,4	TUB0031	1
9	Guida posteriore	Rear rail	128,3	TUB0032	1
10	Terminale per guida	Terminal for rail	3,3	TUB0047	1
11	Tubo 80x80x2 L=920	Tube 80x80x2 L=920	1,5	TUB0007	20
12	Tubo 80x80x2 L=200	Tube 80x80x2 L=200	0,4	TUB0046	4
13	Supporto tubi	Tubes support	1,1	TUB0045	1
14	Lama L=1250	3-beam panel L=1250	21,0	TUB0009	10
15	Cursore	Slider	0,8	TAU0179	20
16	Lama terminale	Final 3-beam panel	22,5	TAU0020	2
17	Traversa trasversale	Tube crosspiece	1,0	TUB0028	2
18	Vite TE M16 a colletto	Screw HH M16		VCO16-70ZC	20
19	Vite TE M8x20	Screw HH M8x20		VTE08-20ZC	8
20	Vite TE M10x70 parz.	Screw HH M10x70 thread		VTE10-70PZC	20
21	Vite TE M16x50	Screw HH M16x50		VTE16-50ZC	4
22	Vite TE M20x60	Screw HH M20x60		VTE20-60ZC	30
23	Vite TSEI M10x35	Screw FSH M10x35		VTS10-35ZC	20
24	Barra filetata M24x250	Threaded Bar M24x250		B24-250ZC	28
25	Piastrina	Plate	0,3	TUB0041	4
26	Rondella M8	Washer M8		RP08-17ZC	16
27	Rondella M10	Washer M10		RP10-21ZC	40
28	Rondella M16 (ø17xøe40)	Washer M16 (ø17xøe40)		RP17-40ZC	4
29	Rondella M20	Washer M20		RP20-37ZC	36
30	Rondella M24	Washer M24		RP24-44ZC	28

TAU TUBE™ P110 WITH THREADED BARS

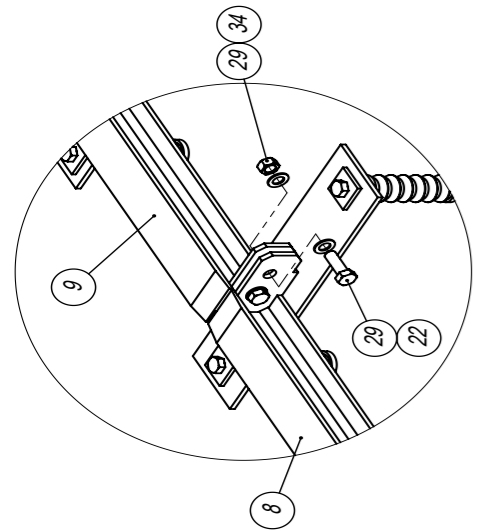
POS.	DESCRIZIONE (IT)	DESCRIPTION (ENG)	kg	CODE	QTY.
31	Dado M8	Nut M8		D08MAZC	8
32	Dado M10	Nut M10		D10MAZC	40
33	Dado M16	Nut M16		D16MAZC	20
34	Dado M20	Nut M20		D20MAZC	30
35	Dado M24	Nut M24		D24MAZC	28
36	Fascetta autobloc.	Clamp (7,9x360)		TAUFSKE134	44
37	Pasta chimica	Chemical Paste		MAL-EAN	3
38	Naso	Nose		TN088YE	1
39	Rivetto Al Ø4,8x20 testa	AL rivet Ø4,8x20 -large		RV4820	4
40	Targhetta identificazione	Identification plate		TAU0114	1
41	Targhetta marchio CE	CE plate		TUB0090	1
42	Tube per lama terminale	Tube for final 3-beam panel	8,0	TAU0025	2





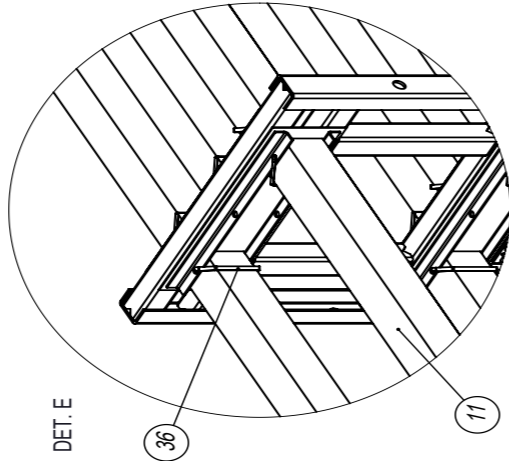
DET. A

BAIA 1° CON N°4 TUBI
DISPOSTI COME DET. F
BAY 1° HAVE N°4 TUB
ARE POSITIONED AS DET. F



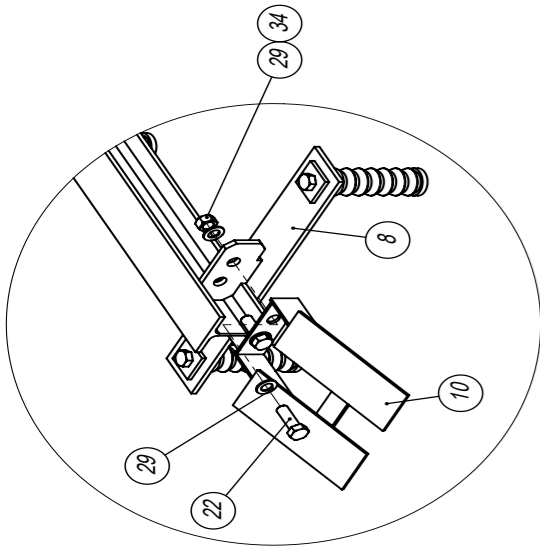
DET. B

BAIA 2° 3° CON N°4 TUBI
DISPOSTI COME DET. E
BAY 2° 3° HAVE N°4 TUBE
ARE POSITIONED AS DET. E



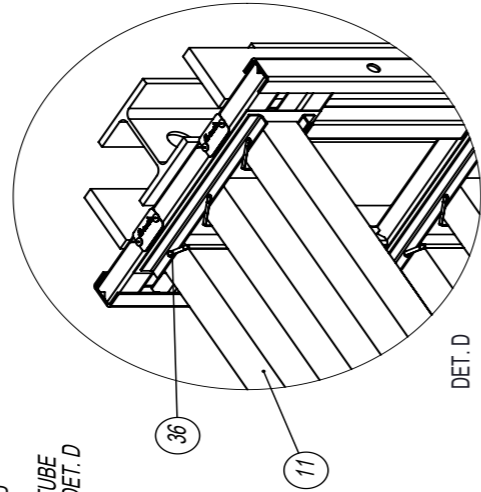
DET. E

BAIA 4° 5° CON N°6 TUBI
DISPOSTI COME DET. D
BAY 4° 5° HAVE N°6 TUBE
ARE POSITIONED AS DET. D

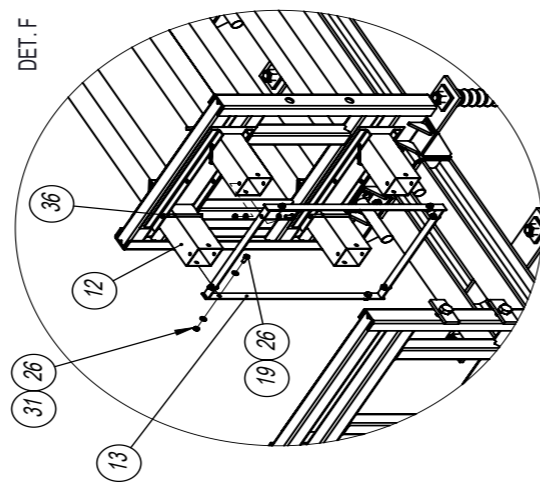


DET. C

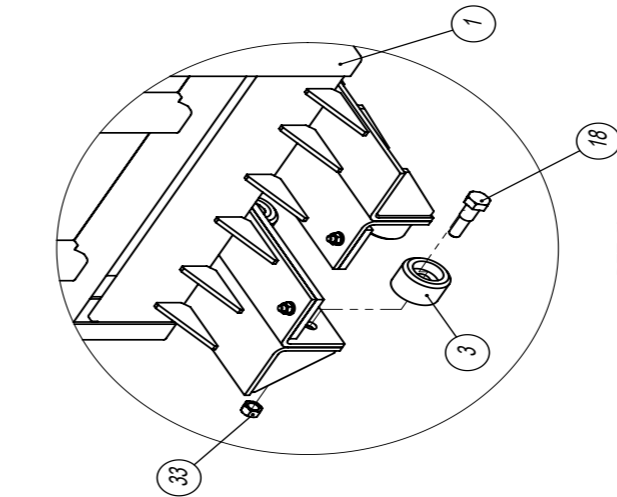
BAIA 4° 5° CON N°6 TUBI
DISPOSTI COME DET. D
BAY 4° 5° HAVE N°6 TUBE
ARE POSITIONED AS DET. D



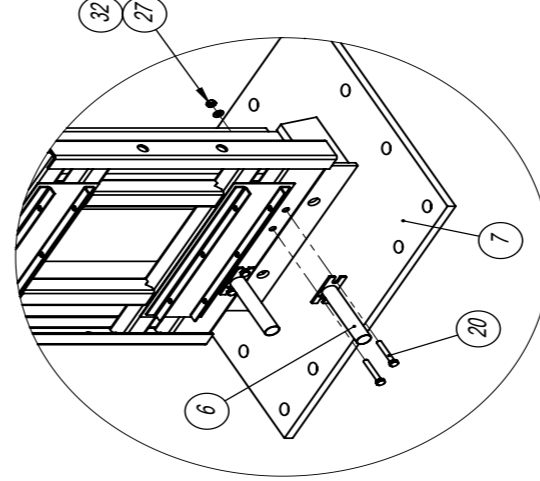
DET. D



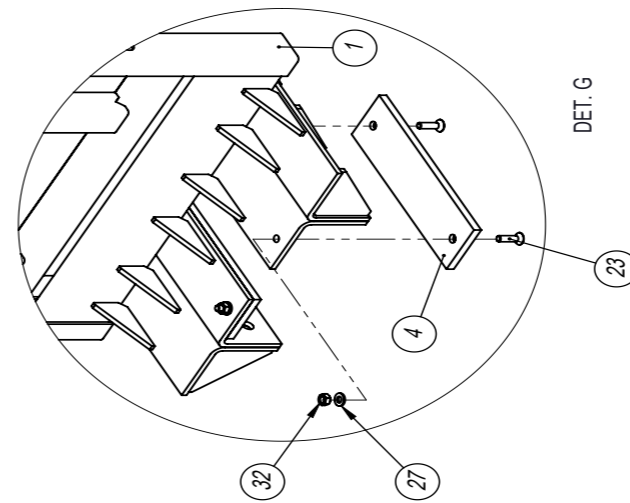
DET. F



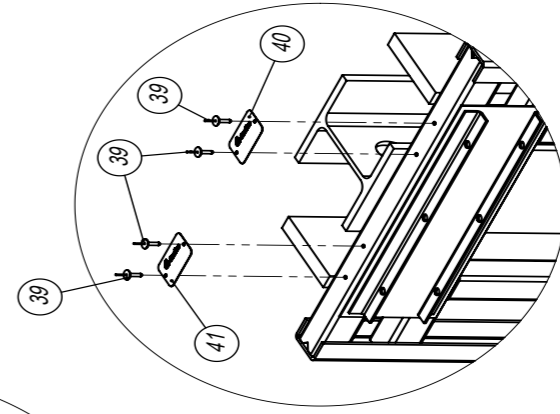
DET. H



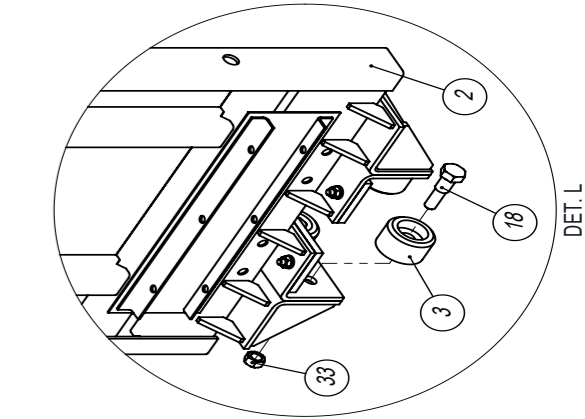
DET. N



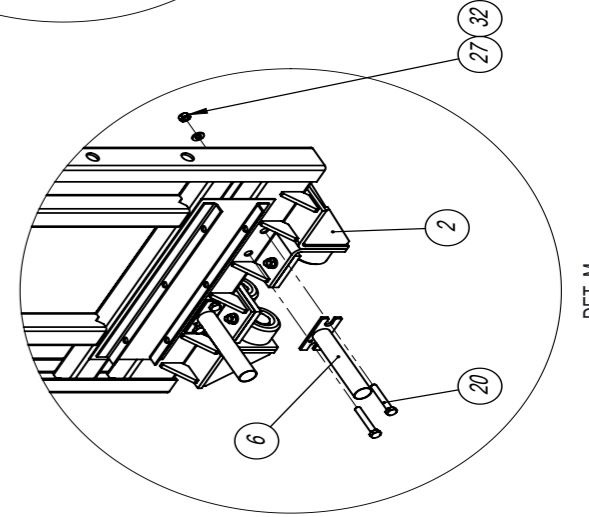
DET. G



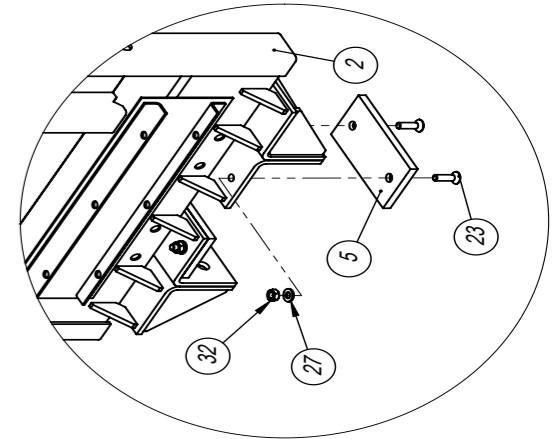
DET. O



DET. L

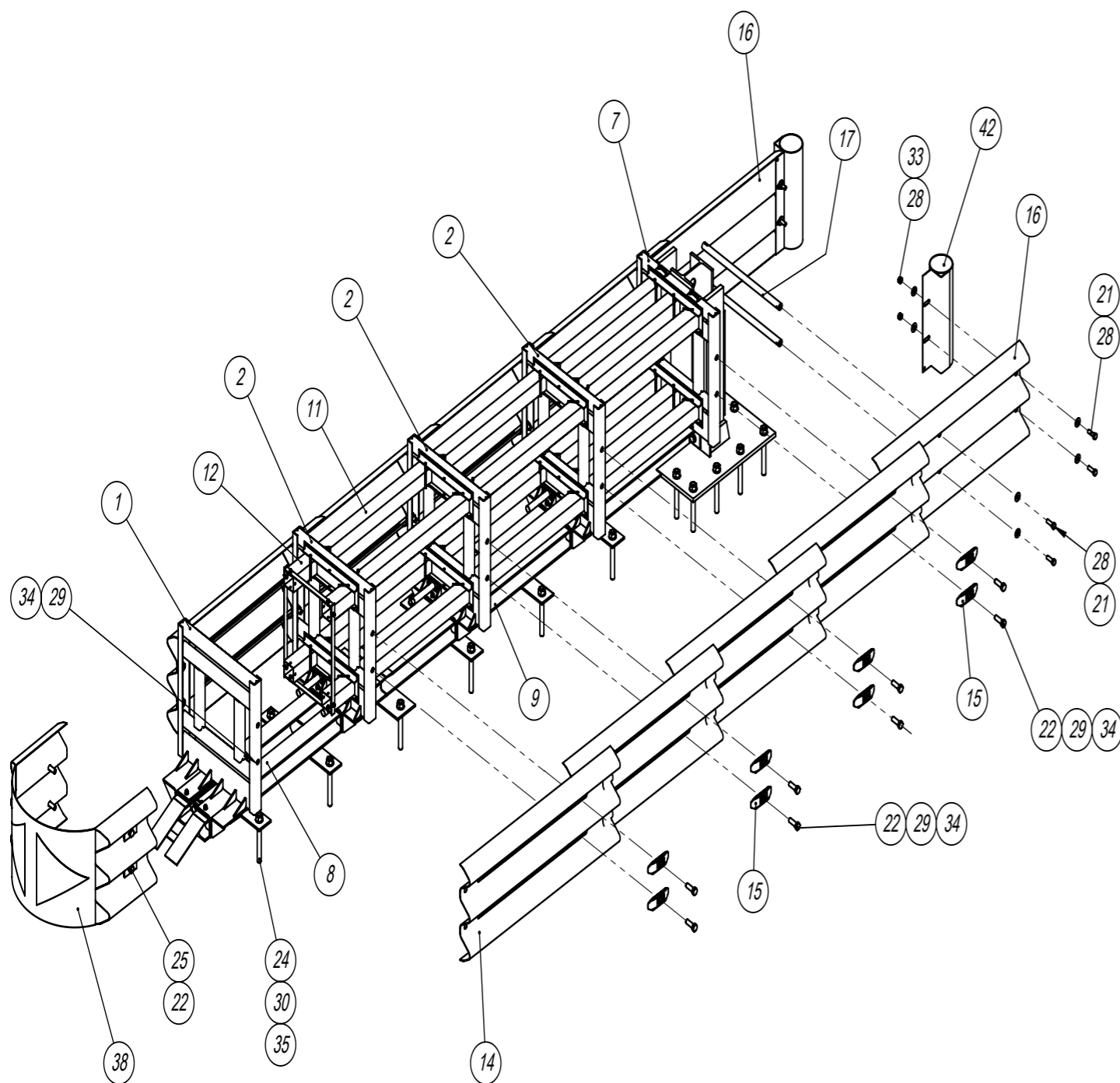


DET. M



DET. I

DRAWINGS AND BOM TAU TUBE™ P100 WITH THREADED BARS

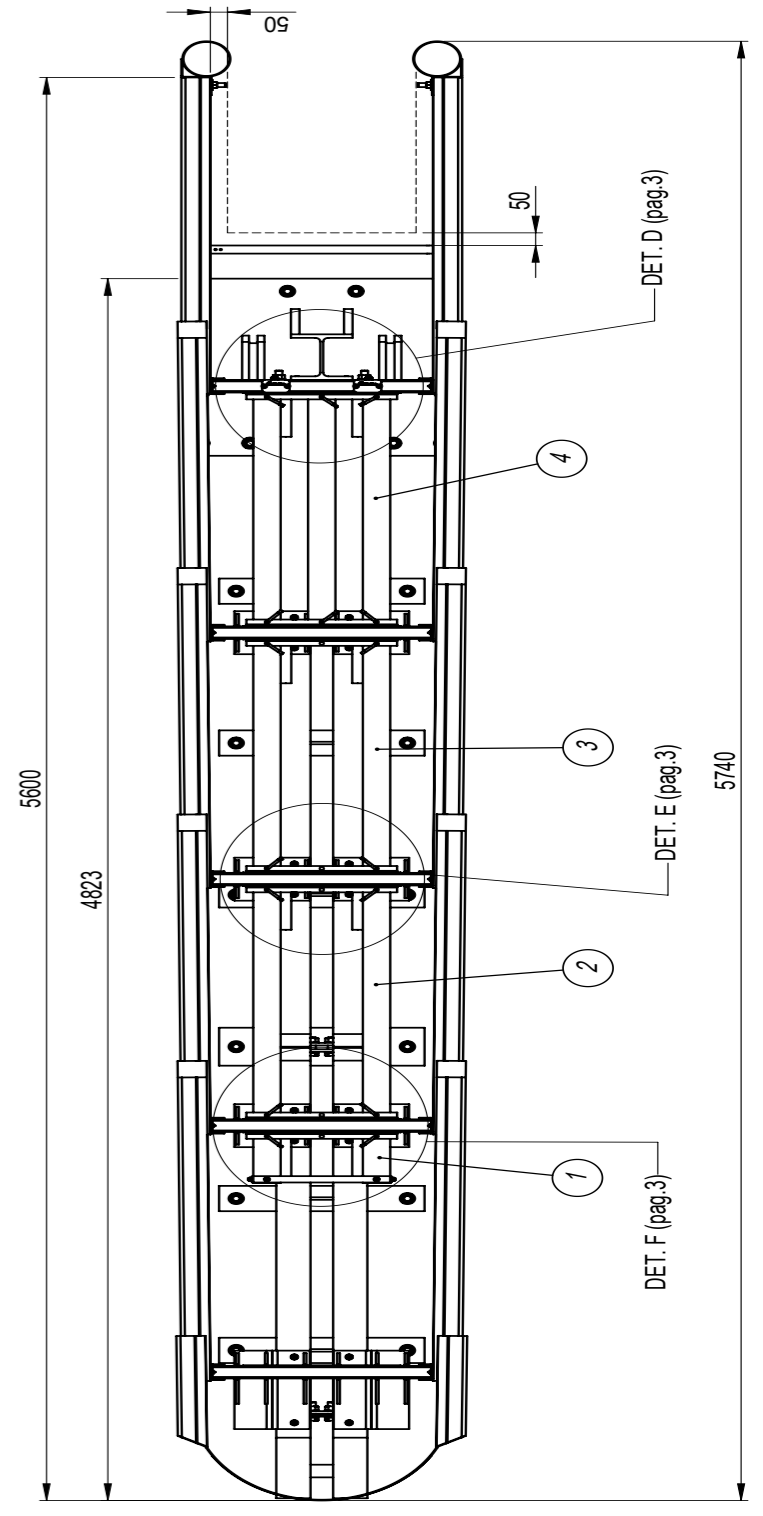
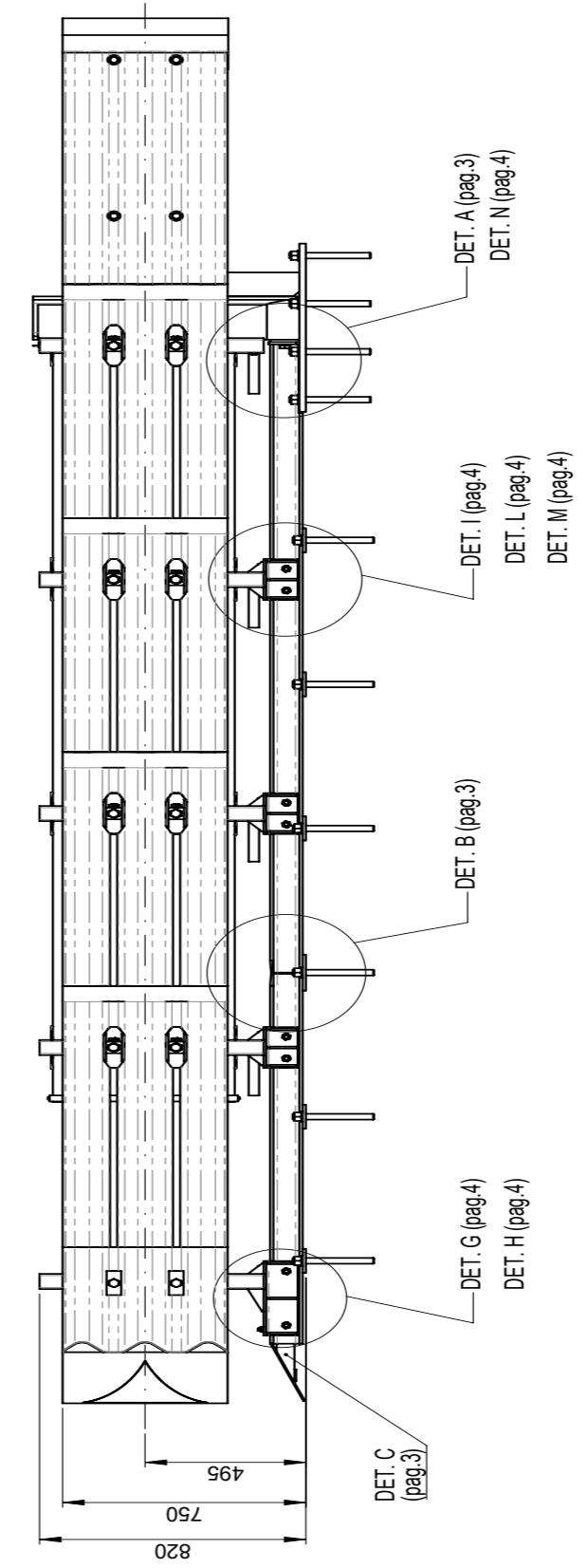
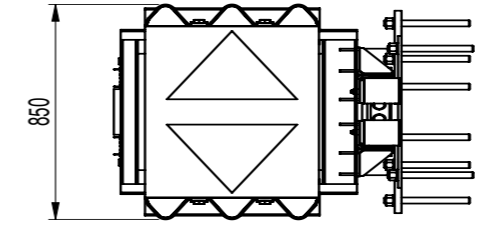


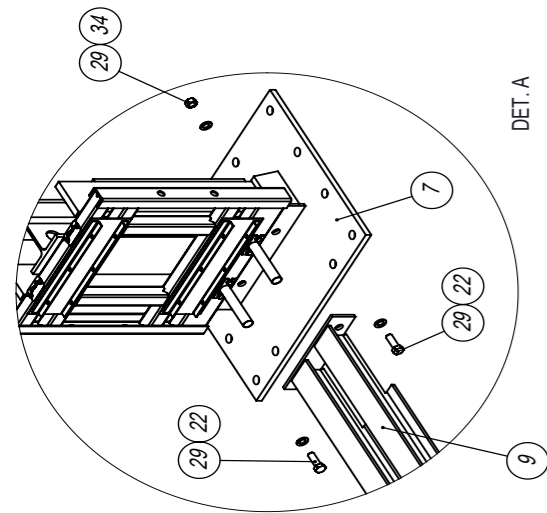
TAU TUBE™ P100 WITH THREADED BARS

POS.	DESCRIZIONE	DESCRIPTION	kg	CODE	QTY.
1	Supporto anteriore	Front support	43	TUB0024	1
2	Supporto intermedio	Intermediate support	41,3	TUB0021	3
3	Rotella per carrello	Small wheel	1,18	TUB0025	16
4	Pannello anteriore	Front panel	0,71	TUB0038	2
5	Pannello	Panel	0,35	TUB0027	6
6	Ammortizzatore	Shock absorber	0,3	TUB0042	8
7	Gruppo posteriore	Backstop	233,4	TUB0008	1
8	Guida anteriore	Front rail	124,4	TUB0048	1
9	Guida posteriore	Rear rail	128,3	TUB0032	1
10	Terminale per guida	Terminal for rail	3,3	TUB0047	1
11	Tubo 80x80x2 L=920	Tube 80x80x2 L=920	1,45	TUB0007	14
12	Tubo 80x80x2 L=200	Tube 80x80x2 L=200	0,34	TUB0046	4
13	Supporto tubi	Tubes support	1,1	TUB0045	1
14	Lama L=1250	3-beam panel L=1250	21	TUB0009	8
15	Cursore	Slider	0,8	TAU0179	16
16	Lama terminale	Final 3-beam panel	22,5	TAU0020	2
17	Traversa trasversale	Tube crosspiece	1	TUB0028	2
18	Vite TE M16 a colletto	Screw HH M16		VCO16-70ZC	16
19	Vite TE M8x20	Screw HH M8x20		VTE08-20ZC	8
20	Vite TE M10x70 parz. filet.	Screw HH M10x70 thread		VTE10-70PZC	16
21	Vite TE M16x50	Screw HH M16x50		VTE16-50ZC	8
22	Vite TE M20x60	Screw HH M20x60		VTE20-60ZC	26
23	Vite TSEI M10x35	Screw FSH M10x35		VTS10-35ZC	16
24	Barra filetata M24x250	Threaded Bar M24x250		B24-250ZC	24
25	Piastrina	Plate	0,3	TUB0041	4
26	Rondella M8	Washer M8		RP08-17ZC	16
27	Rondella M10	Washer M10		RP10-21ZC	32
28	Rondella M16 (øi17xøe40)	Washer M16 (øi17xøe40)		RP17-40ZC	12
29	Rondella M20	Washer M20		RP20-37ZC	32
30	Rondella M24	Washer M24		RP24-44ZC	24

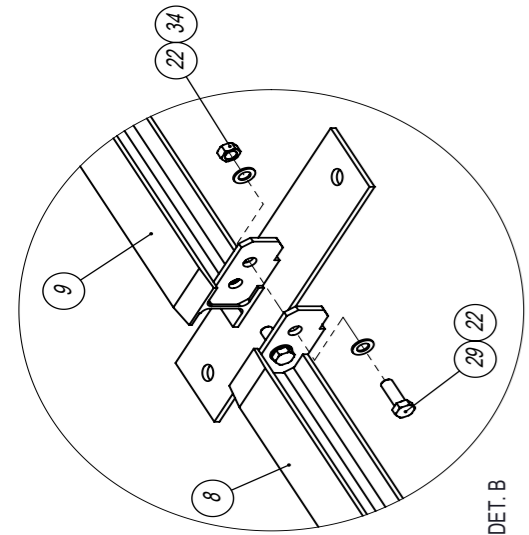
TAU TUBE™ P100 WITH THREADED BARS

POS.	DESCRIZIONE	DESCRIPTION	kg	CODE	QTY.
31	Dado M8	Nut M8		D08MAZC	8
32	Dado M10	Nut M10		D10MAZC	32
33	Dado M16	Nut M16		D16MAZC	20
34	Dado M20	Nut M20		D20MAZC	26
35	Dado M24	Nut M24		D24MAZC	24
36	Fascetta autobloc.	Clamp (7,9x360)		TAUFSKE134	32
37	Pasta chimica	Chemical Paste		MAL-EAN	3
38	Naso	Nose		TN088YE	1
39	Rivetto Al Ø4,8x20 testa	AL rivet Ø4,8x20 -large		RV4820	4
40	Targhetta identificazione	Identification plate		TAU0114	1
41	Targhetta marchio CE	CE plate		TUB0090	1
42	Tube per lama terminale	Tube for final 3-beam panel	8	TAU0025	2

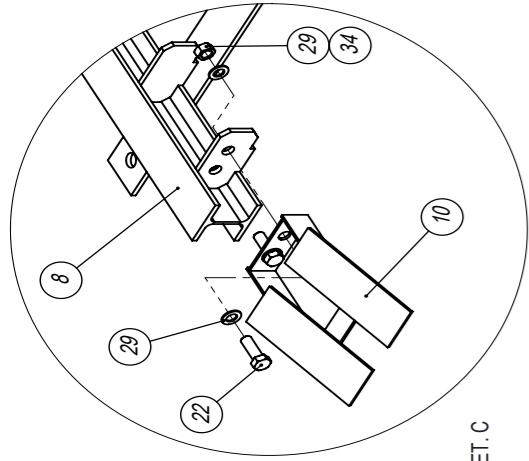




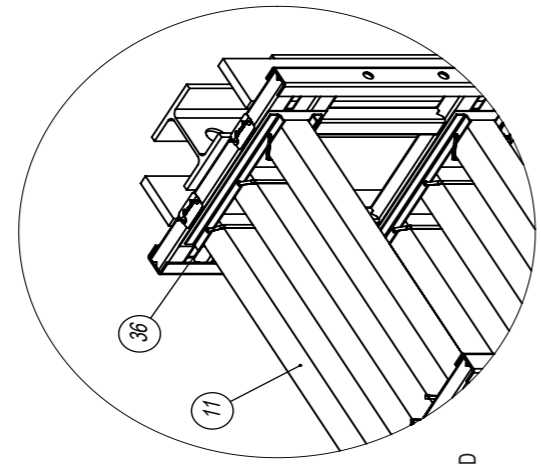
DET. A



DET. B

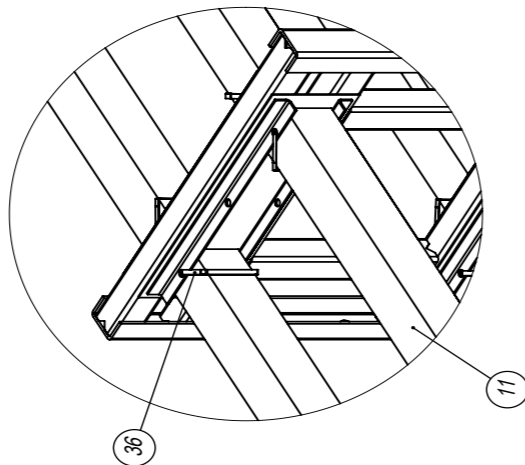


DET. C



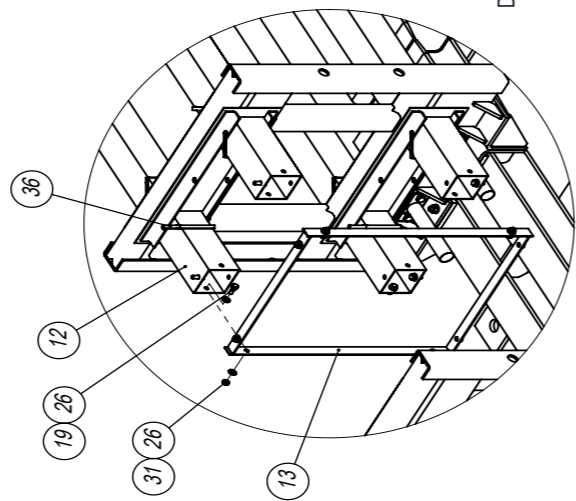
DET. D

BAIA 4° CON N°6 TUBI
DISPOSTI COME DET. D
BAY 4° HAVE N°6 TUBE
ARE POSITIONED AS DET. D



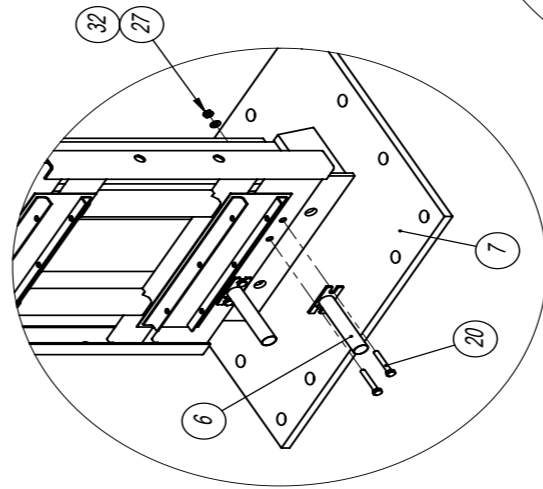
DET. E

BAIA 2° 3° CON N°4 TUBI
DISPOSTI COME DET. E
BAY 2° 3° HAVE N°4 TUBE
ARE POSITIONED AS DET. E

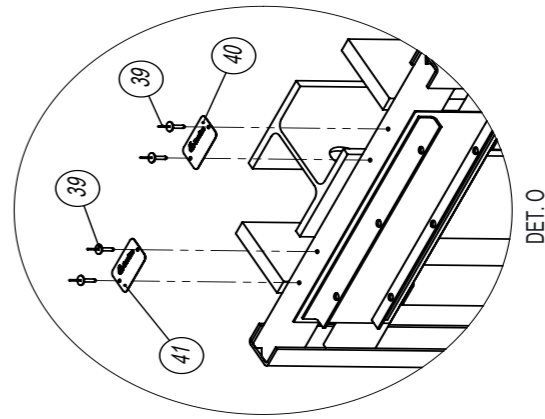


DET. F

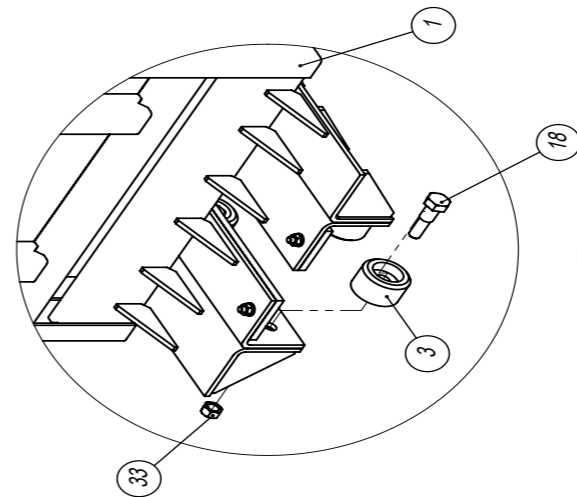
BAIA 1° CON N°4 TUBI
DISPOSTI COME DET. F
BAY 1° HAVE N°4 TUB
ARE POSITIONED AS DET. F



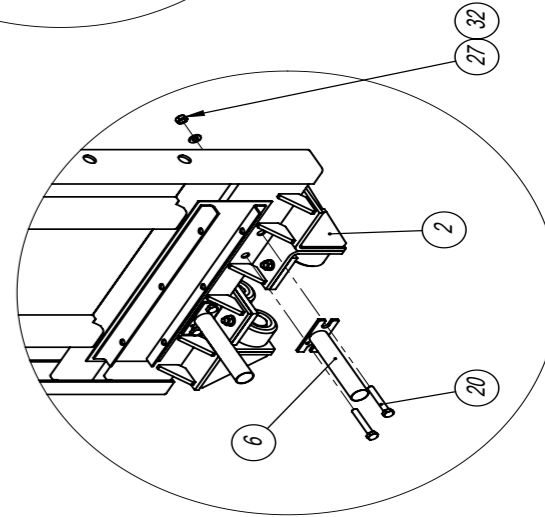
DET. N



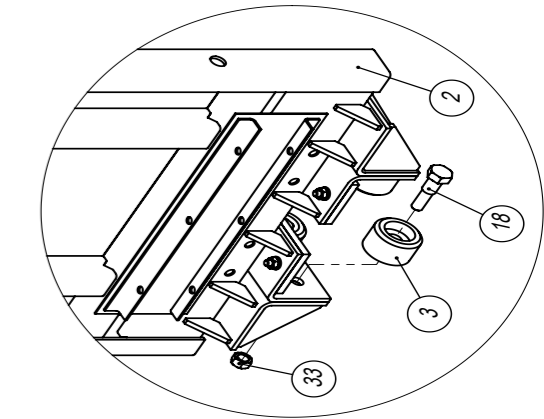
DET. O



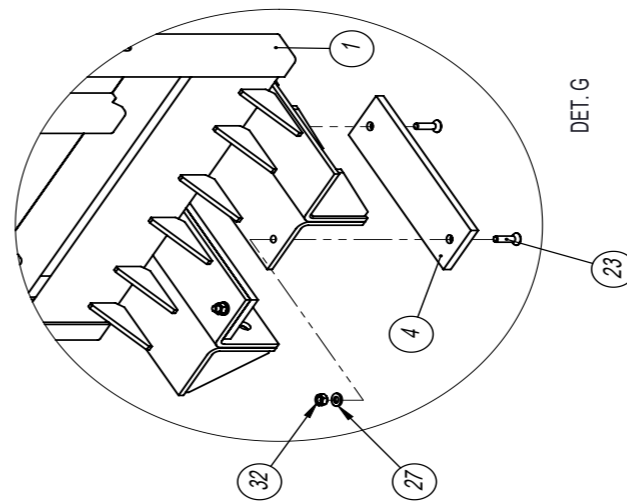
DET. H



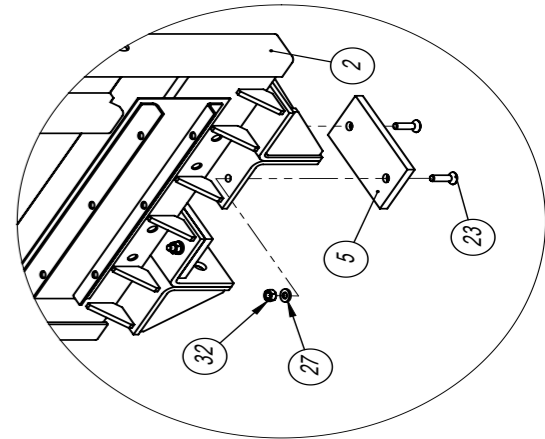
DET. M



DET. L

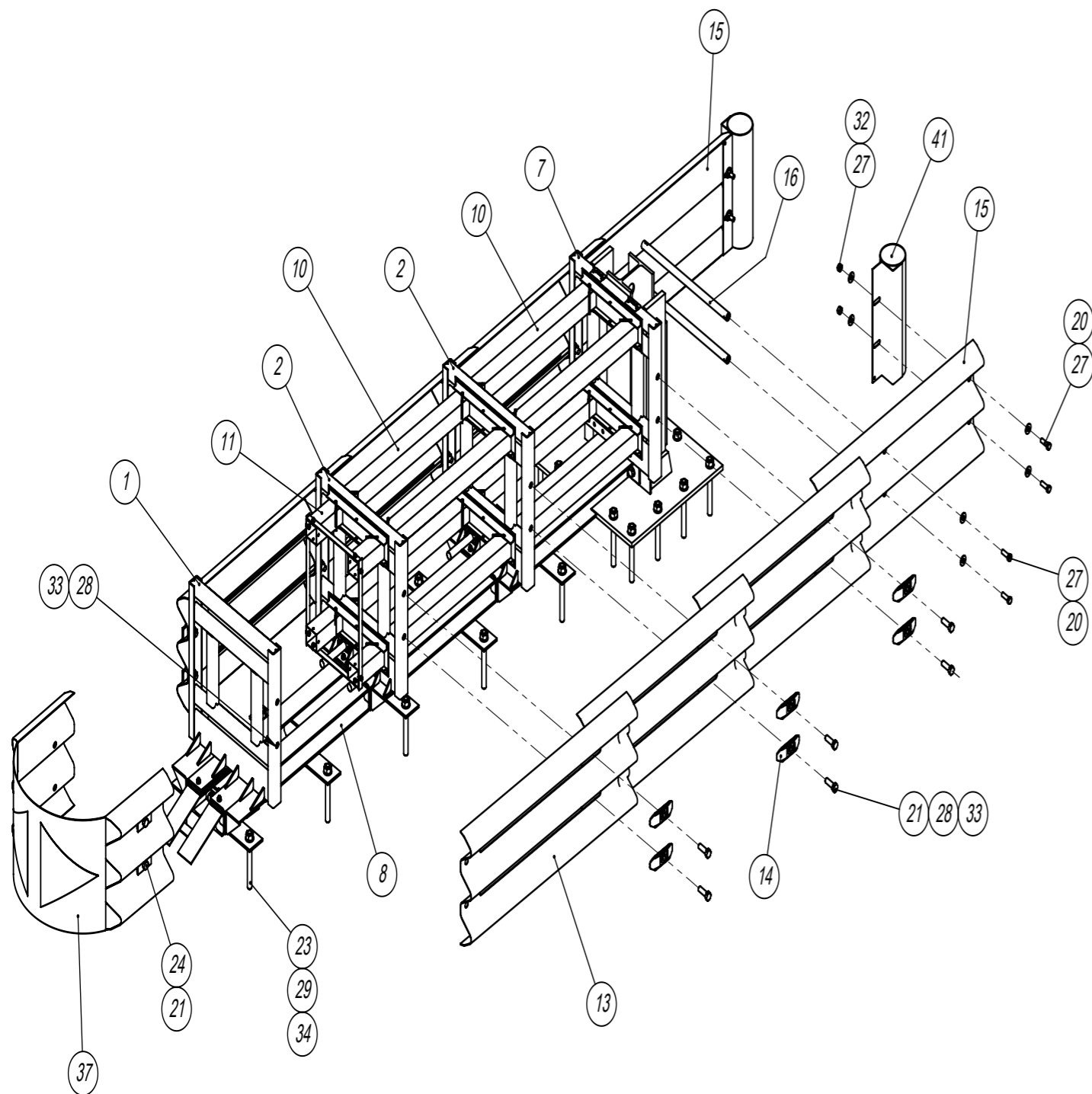


DET. G



DET. I

DRAWINGS AND BOM TAU TUBE™ P80 WITH THREADED BARS

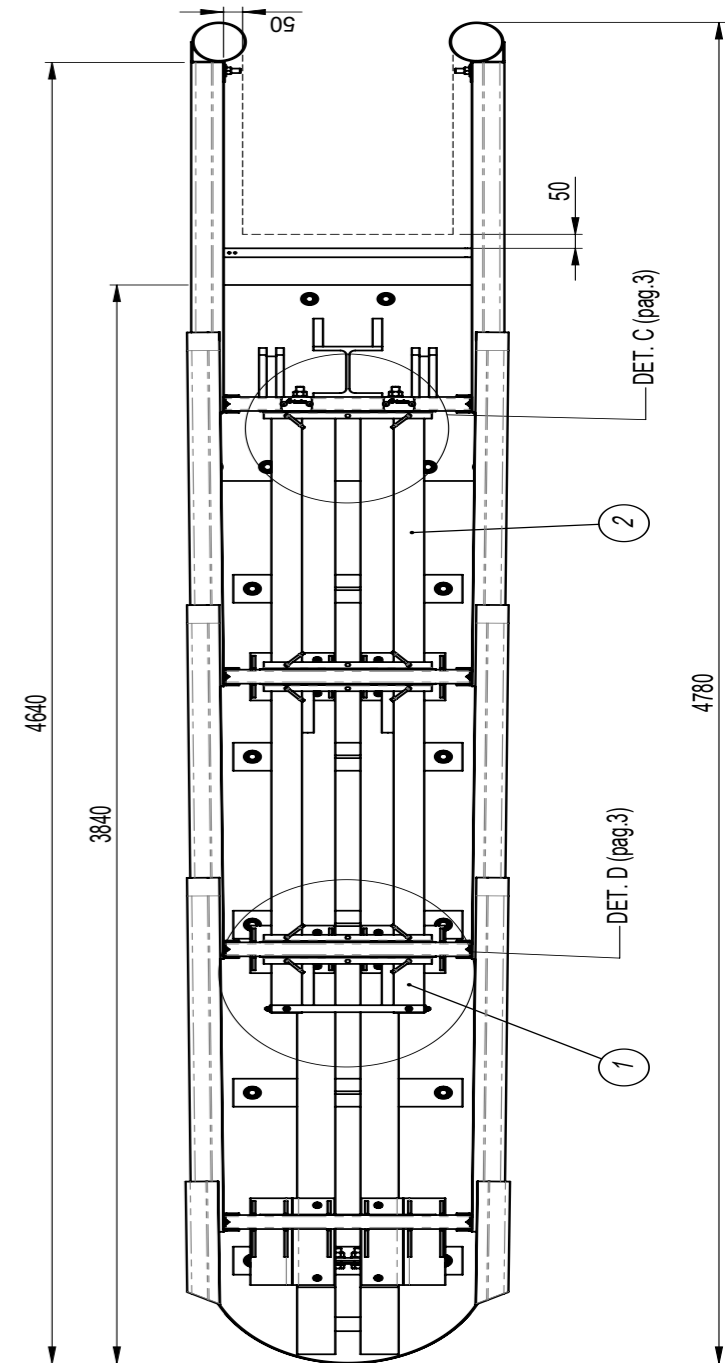
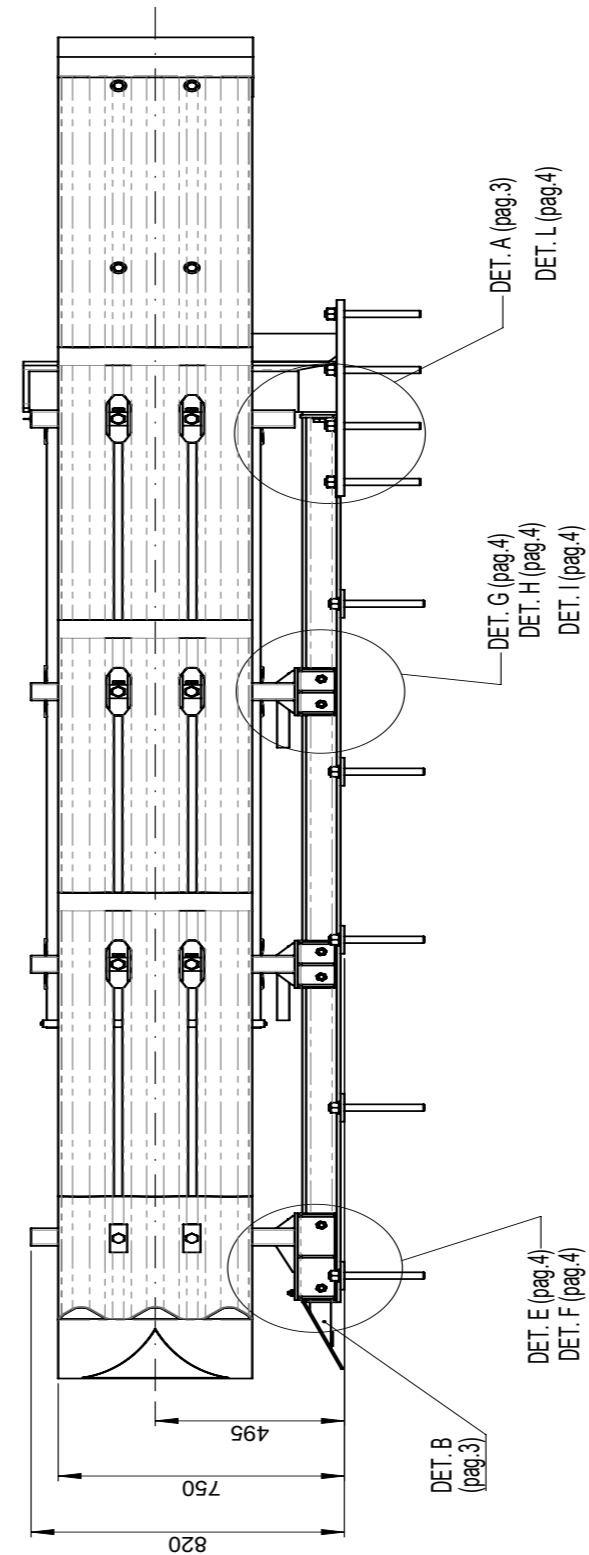
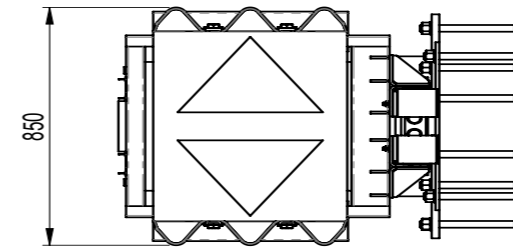


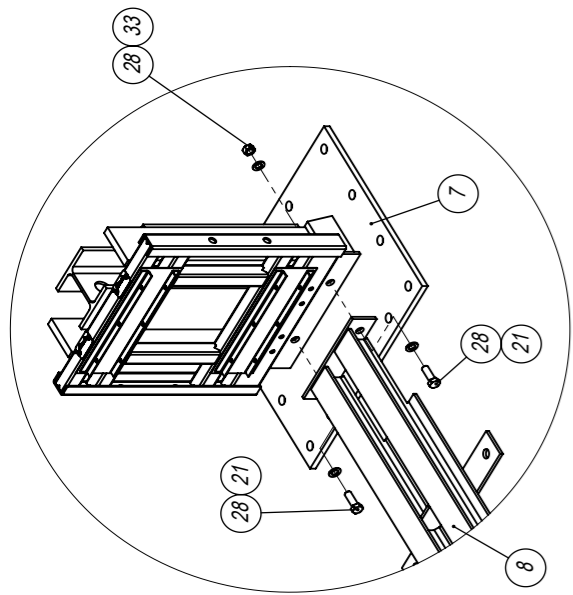
TAU TUBE™ P80 WITH THREADED BARS

POS.	DESCRIZIONE	DESCRIPTION	kg	CODE	QTY.
1	Supporto anteriore	Front support	43,0	TUB0024	1
2	Supporto intermedio	Intermediate support	41,3	TUB0021	2
3	Rotella per carrello	Small wheel	1,2	TUB0025	12
4	Pannello anteriore	Front panel	0,7	TUB0038	2
5	Pannello	Panel	0,4	TUB0027	4
6	Ammortizzatore	Shock absorber	0,3	TUB0042	4
7	Gruppo posteriore	Backstop	233,4	TUB0008	1
8	Guida	Front rail	153,5	TUB0049	1
9	Terminale per guida	Terminal for rail	3,3	TUB0047	1
10	Tubo 80x80x2 L=920	Tube 80x80x2 L=920	1,5	TUB0007	8
11	Tubo 80x80x2 L=200	Tube 80x80x2 L=200	0,3	TUB0046	4
12	Supporto tubi	Tubes support	1,1	TUB0045	1
13	Lama L=1250	3-beam panel L=1250	21,0	TUB0009	6
14	Cursore	Slider	0,8	TAU0179	12
15	Lama terminale	Final 3-beam panel	22,5	TAU0020	2
16	Traversa trasversale	Tube crosspiece	1,0	TUB0028	2
17	Vite TE M16 a colletto	Screw HH M16		VCO16-70ZC	12
18	Vite TE M8x20	Screw HH M8x20		VTE08-20ZC	8
19	Vite TE M10x70 parz. filet.	Screw HH M10x70 thread		VTE10-70PZC	8
20	Vite TE M16x50	Screw HH M16x50		VTE16-50ZC	8
21	Vite TE M20x60	Screw HH M20x60		VTE20-60ZC	20
22	Vite TSEI M10x35	Screw FSH M10x35		VTS10-35ZC	12
23	Barra filetata M24x250	Threaded Bar M24x250		B24-250ZC	22
24	Piastrina	Plate	0,3	TUB0041	4
25	Rondella M8	Washer M8		RP08-17ZC	16
26	Rondella M10	Washer M10		RP10-21ZC	20
27	Rondella M16 (øi17xøe40)	Washer M16 (øi17xøe40)		RP17-40ZC	12
28	Rondella M20	Washer M20		RP20-37ZC	24
29	Rondella M24	Washer M24		RP24-44ZC	22
30	Dado M8	Nut M8		D08MAZC	8

TAU TUBE™ P80 WITH THREADED BARS

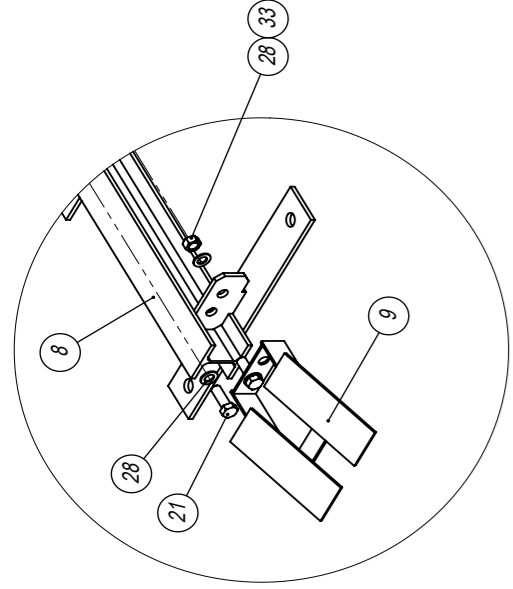
POS.	DESCRIZIONE	DESCRIPTION	kg	CODE	QTY.
31	Dado M10	Nut M10		D10MAZC	20
32	Dado M16	Nut M16		D16MAZC	16
33	Dado M20	Nut M20		D20MAZC	20
34	Dado M24	Nut M24		D24MAZC	22
35	Fascetta autobloc.	Clamp (7,9x360)		TAUFSKE134	20
36	Pasta chimica	Chemical Paste		MAL-EAN	3
37	Naso	Nose		TN088YE	1
38	Rivetto Al Ø4,8x20 testa	AL rivet Ø4,8x20 -large		RV4820	4
39	Targhetta identificazione	Identification plate		TAU0114	1
40	Targhetta marchio CE	CE plate		TUB0090	1
41	Tube per lama terminale	Tube for final 3-beam panel	8,0	TAU0025	2





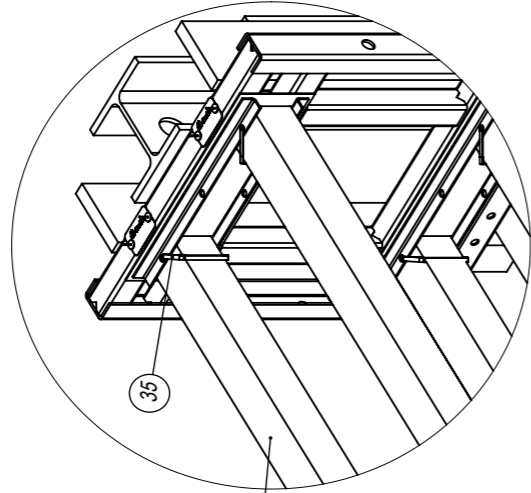
DET. A

BAIA 1° CON N°4 TUBI
DISPOSTI COME DET. D
BAY 1° HAVE N°4 TUB
ARE POSITIONED AS DET. D

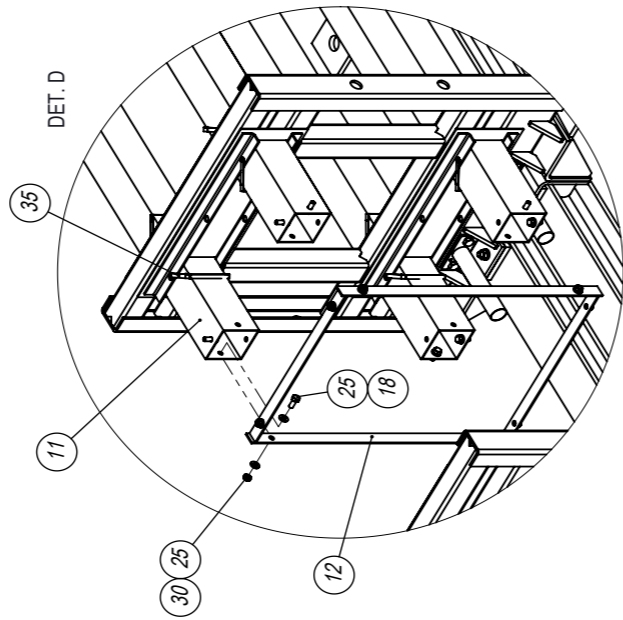


DET. B

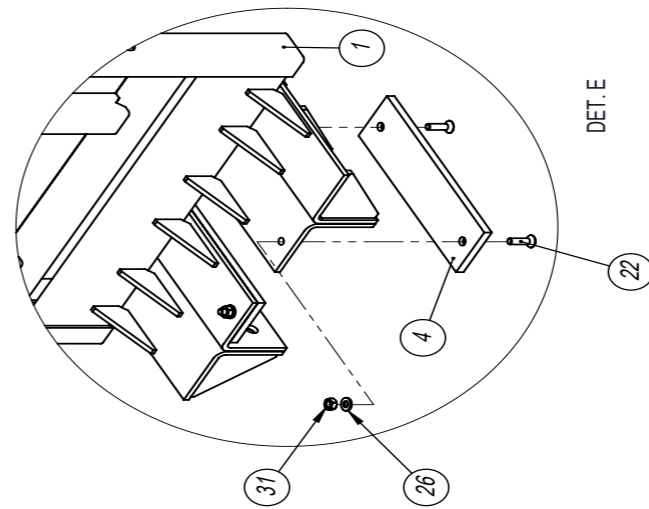
BAIA 2° 3° CON N°4 TUBI
DISPOSTI COME DET. C
BAY 2° 3° HAVE N°4 TUBE
ARE POSITIONED AS DET. C



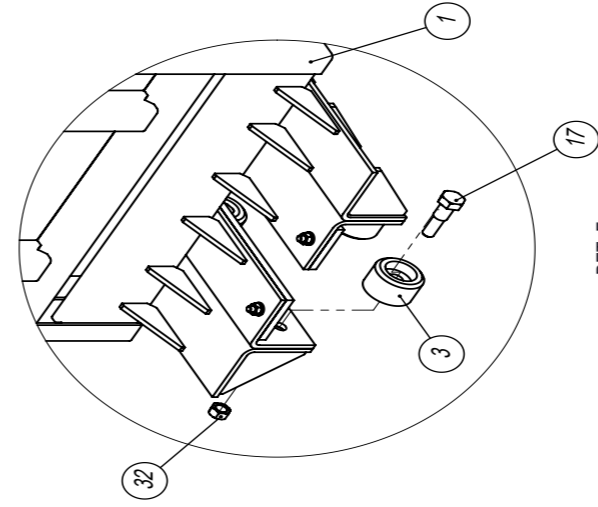
DET. C



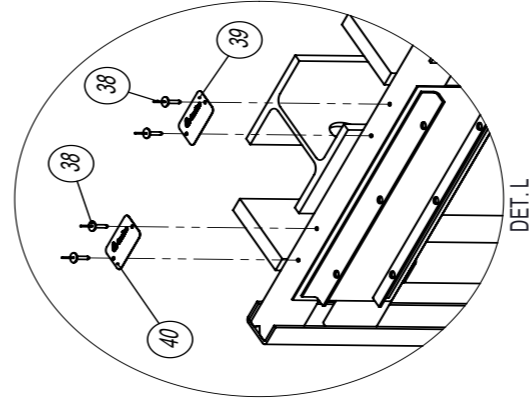
DET. D



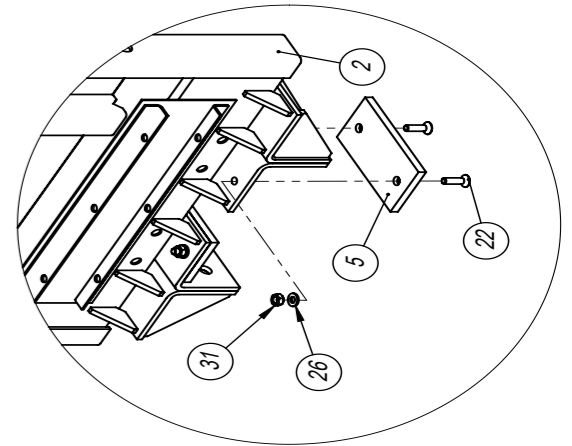
DET. E



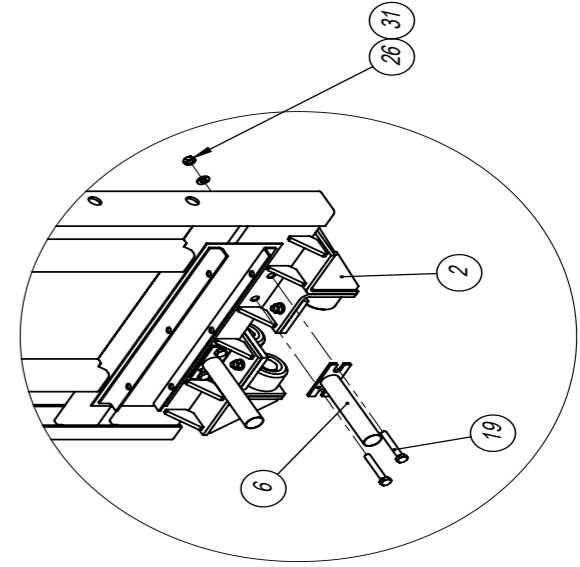
DET. F



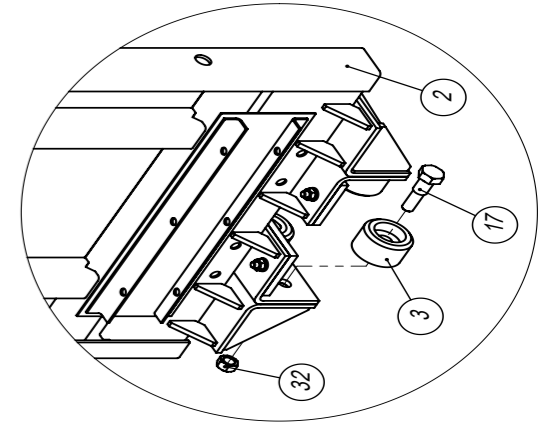
DET. L



DET. G

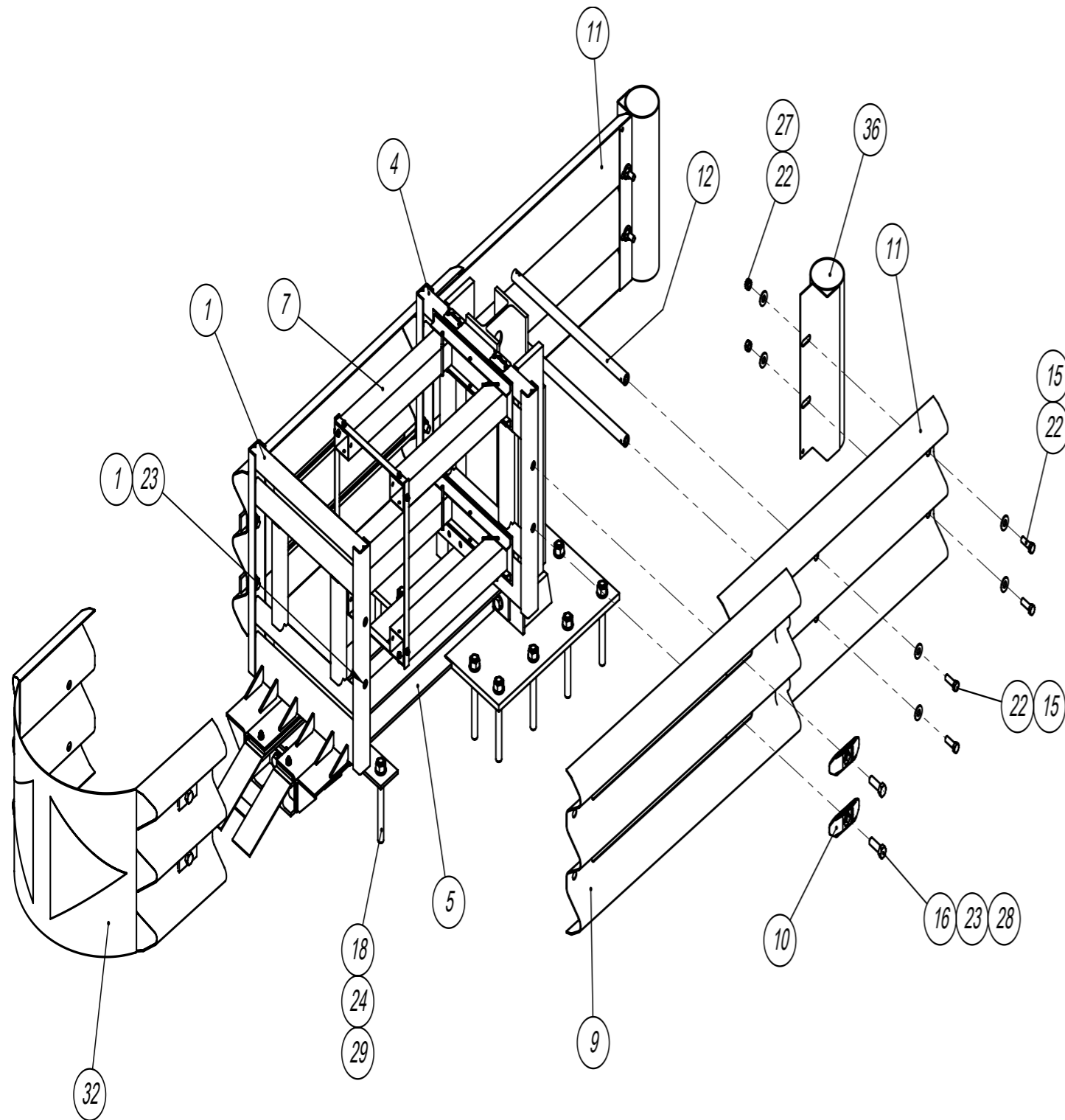


DET. I



DET. H

DRAWINGS AND BOM TAU TUBE™ P50 WITH THREADED BARS

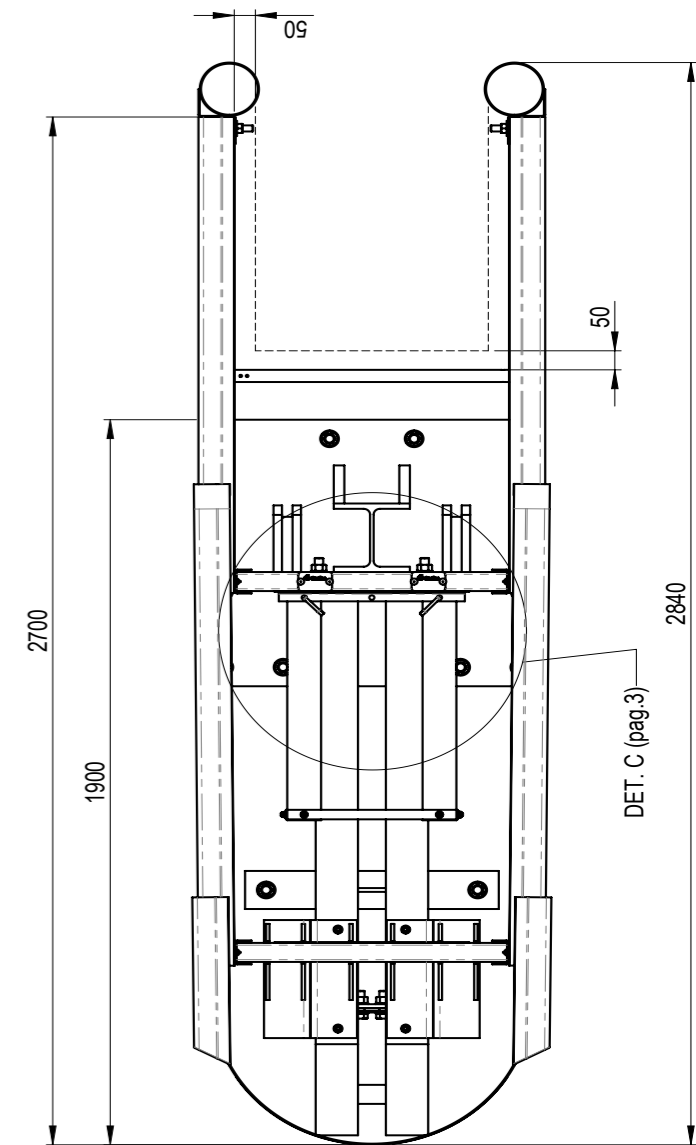
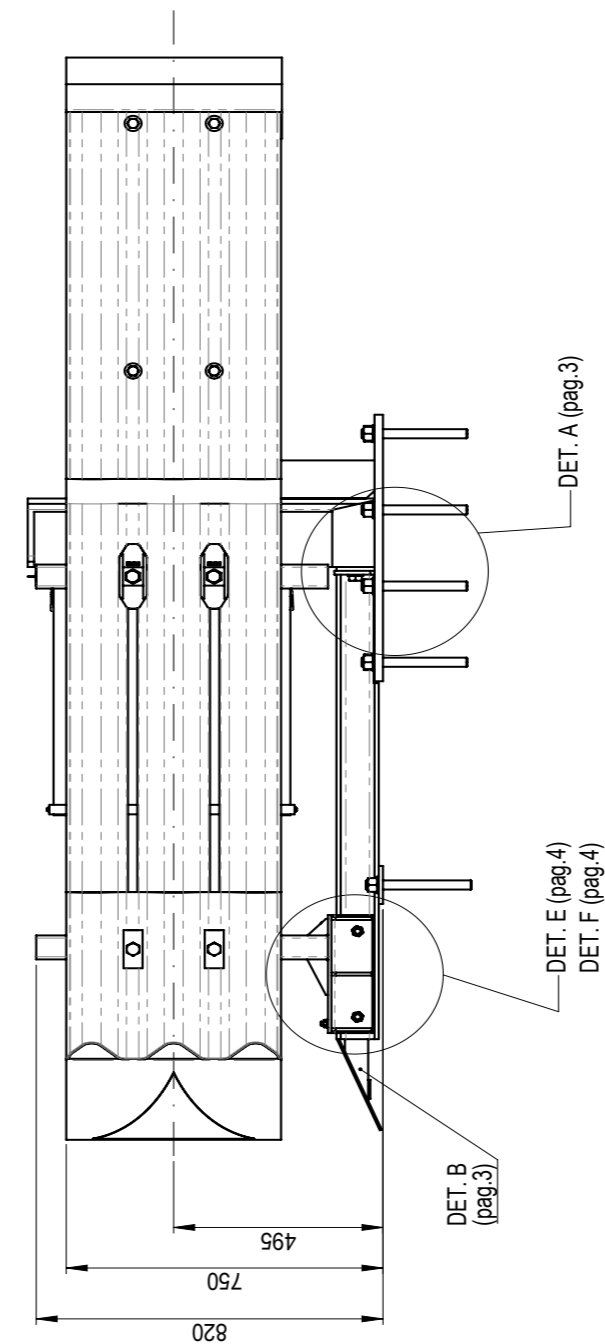
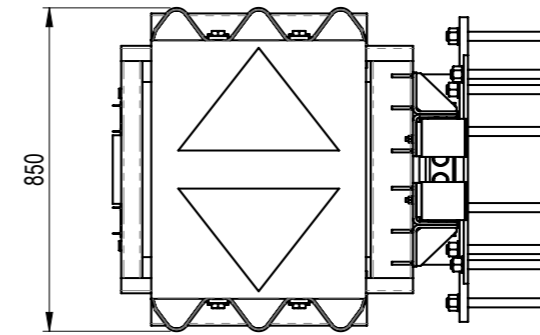


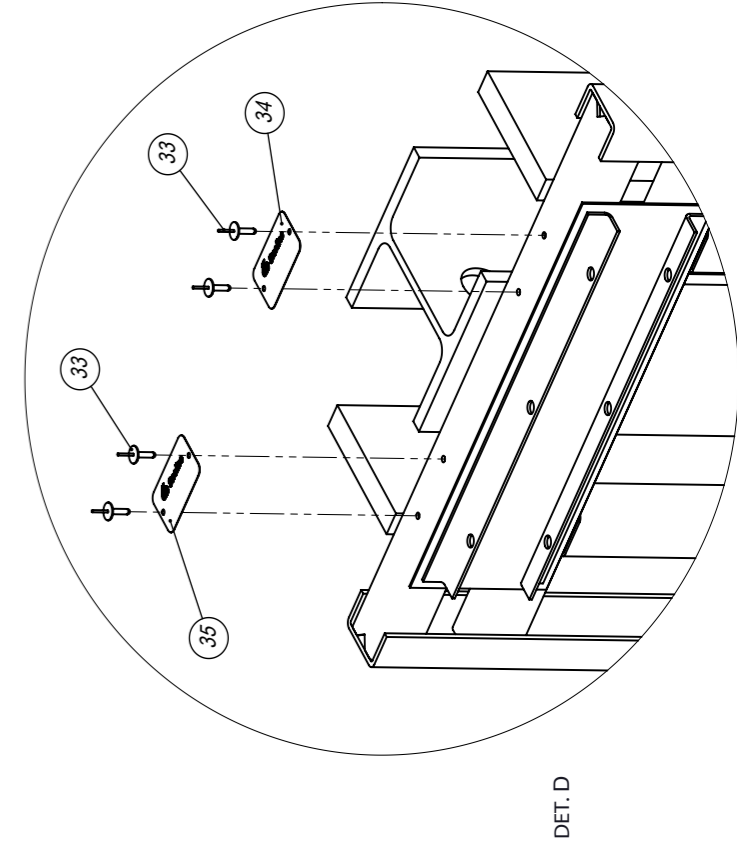
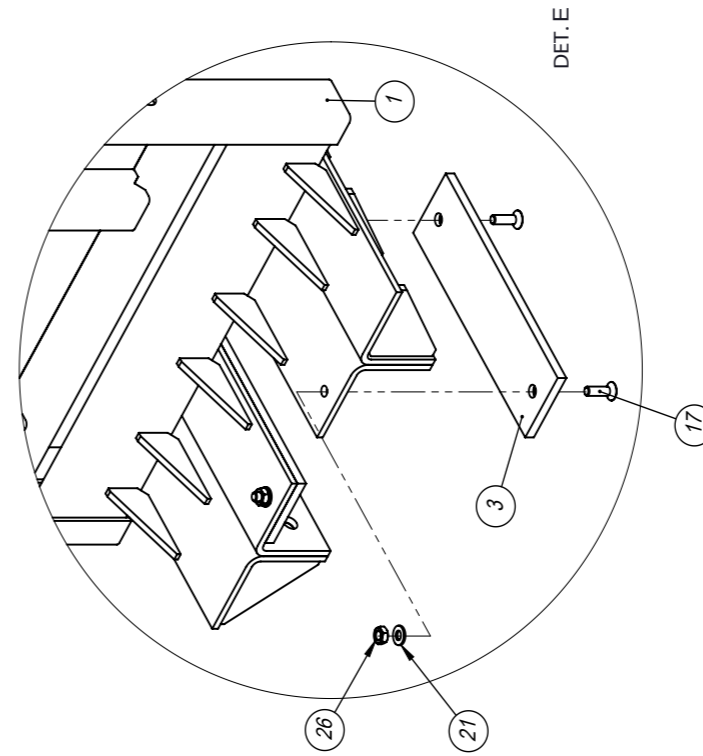
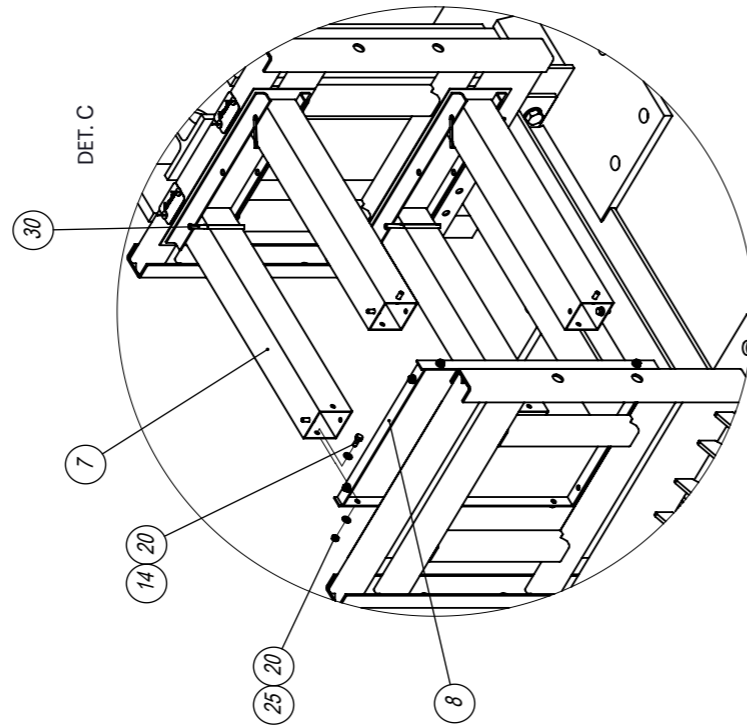
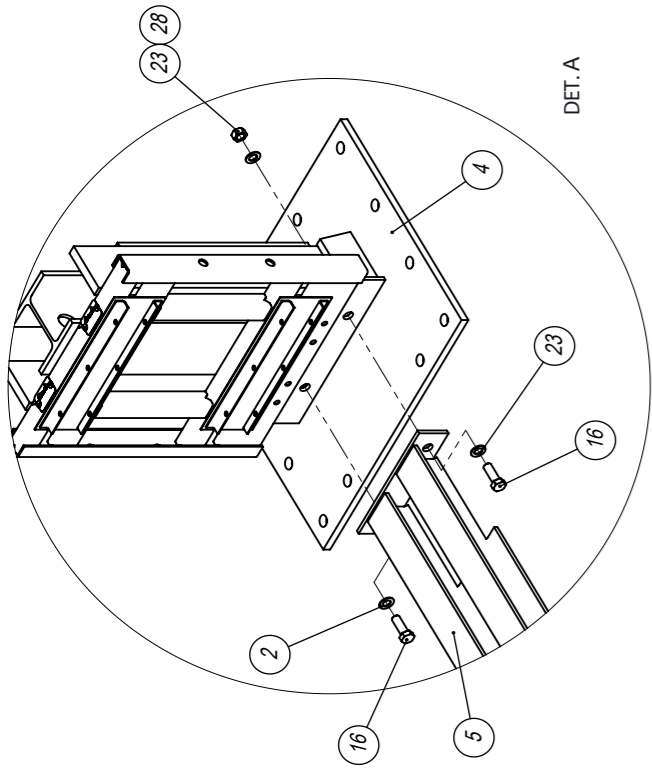
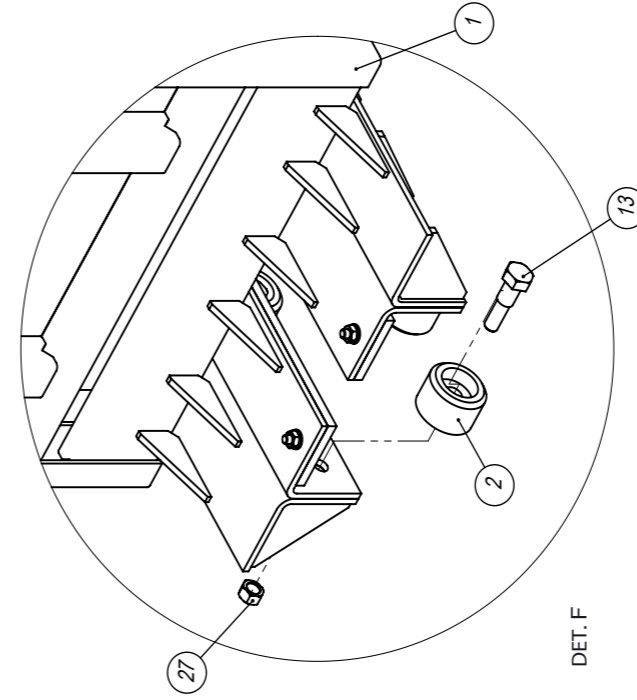
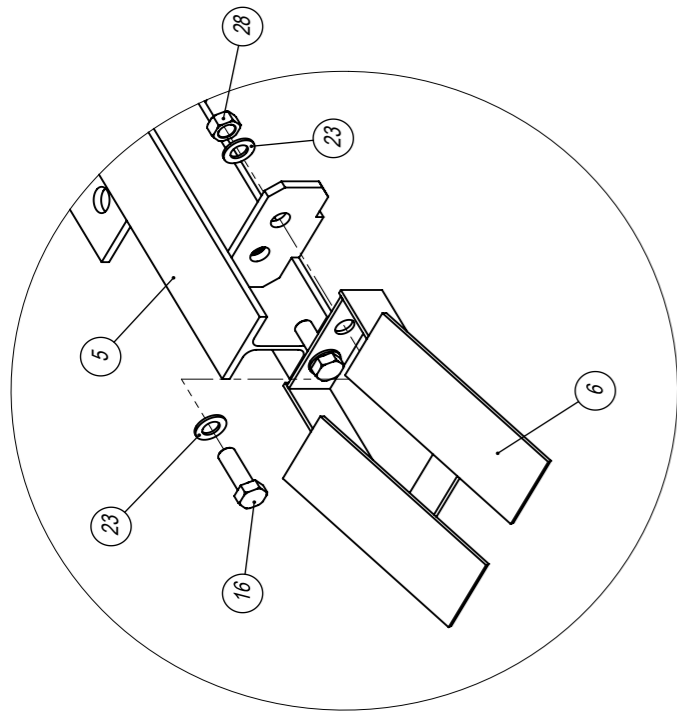
TAU TUBE™ P50 WITH THREADED BARS

POS.	DESCRIZIONE	DESCRIPTION	kg	CODE	QTY.
1	Supporto anteriore	Front support	43,0	TUB0024	1
2	Rotella per carrello	Small wheel	1,2	TUB0025	4
3	Pannello anteriore	Front panel	0,7	TUB0038	2
4	Gruppo posteriore	Backstop	233,4	TUB0008	1
5	Guida	Rail	53,5	TUB0050	1
6	Terminale per guida	Terminal for rail	3,3	TUB0047	1
7	Tube 80x80x2 L=600	Tube 80x80x2 L=600	0,5	TUB0060	4
8	Supporto tubi	Tubes support	1,1	TUB0045	1
9	Lama L=1250	3-beam panel L=1250	21,0	TUB0009	2
10	Cursore	Slider	0,8	TAU0179	4
11	Lama terminale	Final 3-beam panel	22,5	TAU0020	2
12	Traversa trasversale	Tube crosspiece	1,0	TUB0028	2
13	Vite TE M16 a colletto	Screw HH M16		VCO16-70ZC	4
14	Vite TE M8x20	Screw HH M8x20		VTE08-20ZC	8
15	Vite TE M16x50	Screw HH M16x50		VTE16-50ZC	8
16	Vite TE M20x60	Screw HH M20x60		VTE20-60ZC	12
17	Vite TSEI M10x35	Screw FSH M10x35		VTS10-35ZC	4
18	Barra filetata M24x250	Threaded Bar M24x250		B24-250ZC	14
19	Piastrina	Plate	0,3	TUB0041	4
20	Rondella M8	Washer M8		RP08-17ZC	16
21	Rondella M10	Washer M10		RP10-21ZC	4
22	Rondella M16 (øi17xøe40)	Washer M16 (øi17xøe40)		RP17-40ZC	12
23	Rondella M20	Washer M20		RP20-37ZC	16
24	Rondella M24	Washer M24		RP24-44ZC	14
25	Dado M8	Nut M8		D08MAZC	8
26	Dado M10	Nut M10		D10MAZC	4
27	Dado M16	Nut M16		D16MAZC	8
28	Dado M20	Nut M20		D20MAZC	12
29	Dado M24	Nut M24		D24MAZC	14
30	Fascetta autobloc.	Clamp (7,9x360)		TAUFSKE134	4

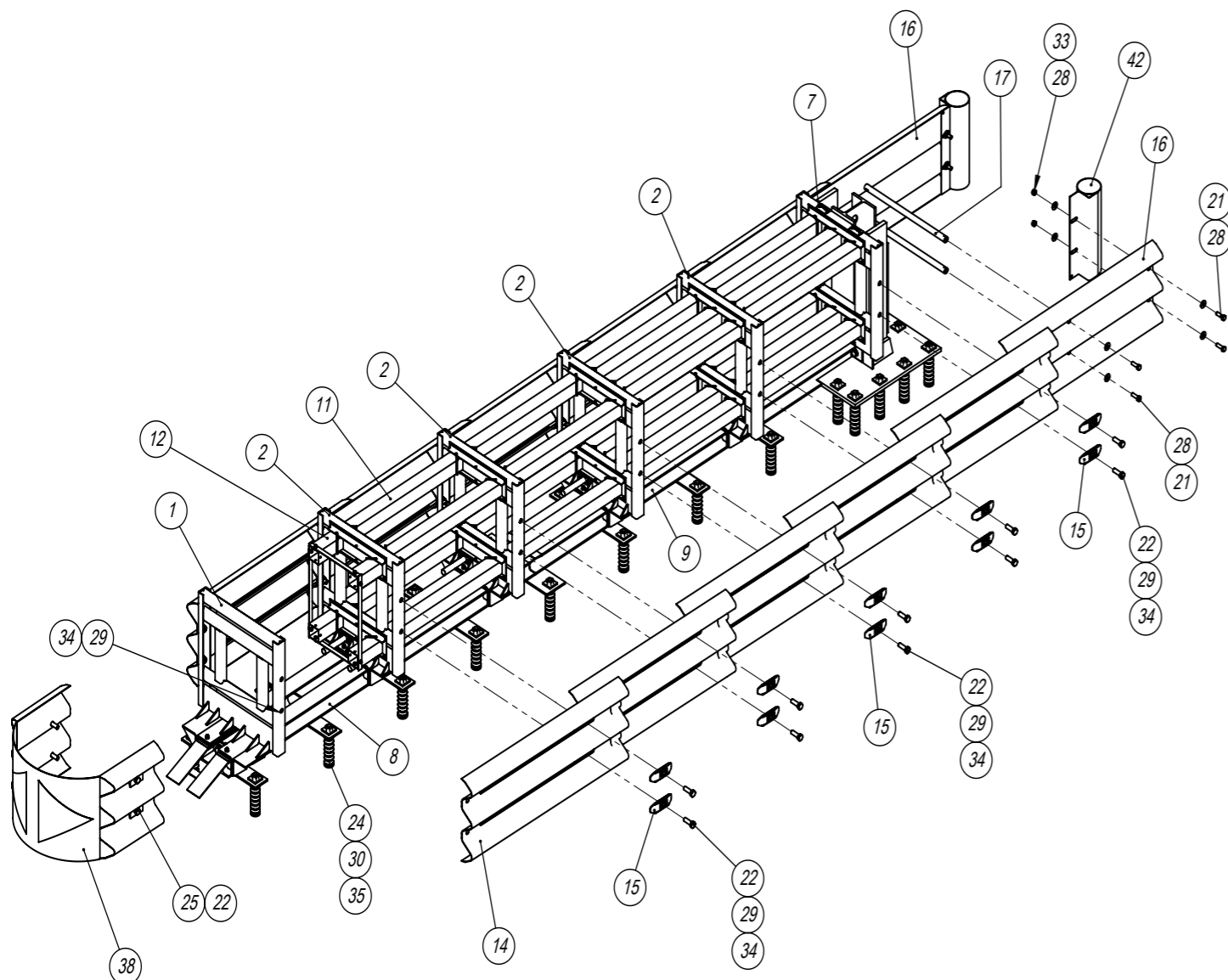
TAU TUBE™ P50 WITH THREADED BARS

POS.	DESCRIZIONE	DESCRIPTION	kg	CODE	QTY.
31	Pasta chimica	Chemical Paste		MAL-EAN	2
32	Naso	Nose		TN088YE	1
33	Rivetto Al Ø4,8x20 testa	AL rivet Ø4,8x20 -large		RV4820	4
34	Targhetta identificazione	Identification plate		TAU0114	1
35	Targhetta marchio CE	CE plate		TUB0090	1
36	Tube per lama terminale	Tube for final 3-beam panel	8,0	TAU0025	2





DRAWINGS AND BOM TAU TUBE™ P110 WITH FIXING BARS

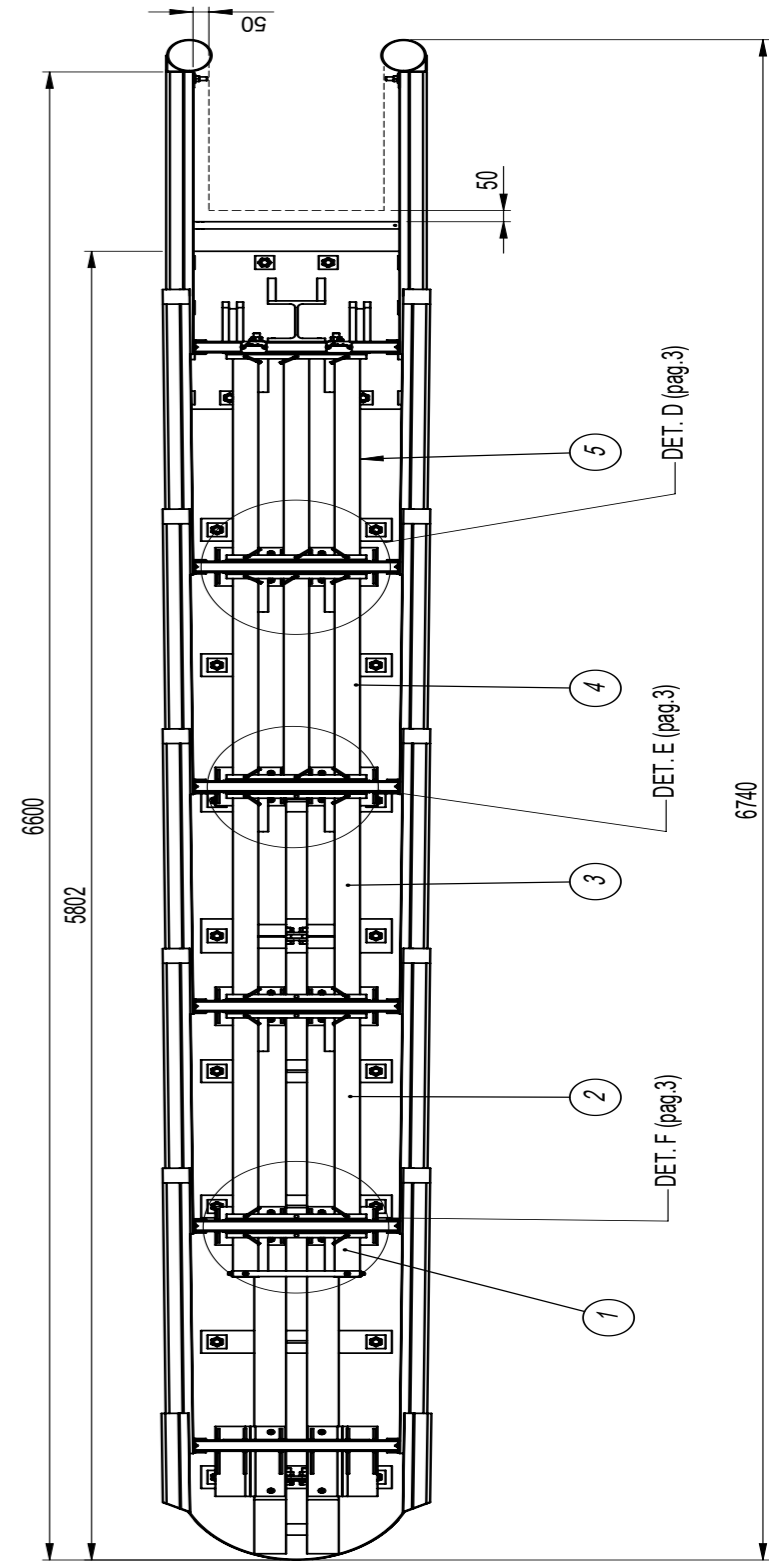
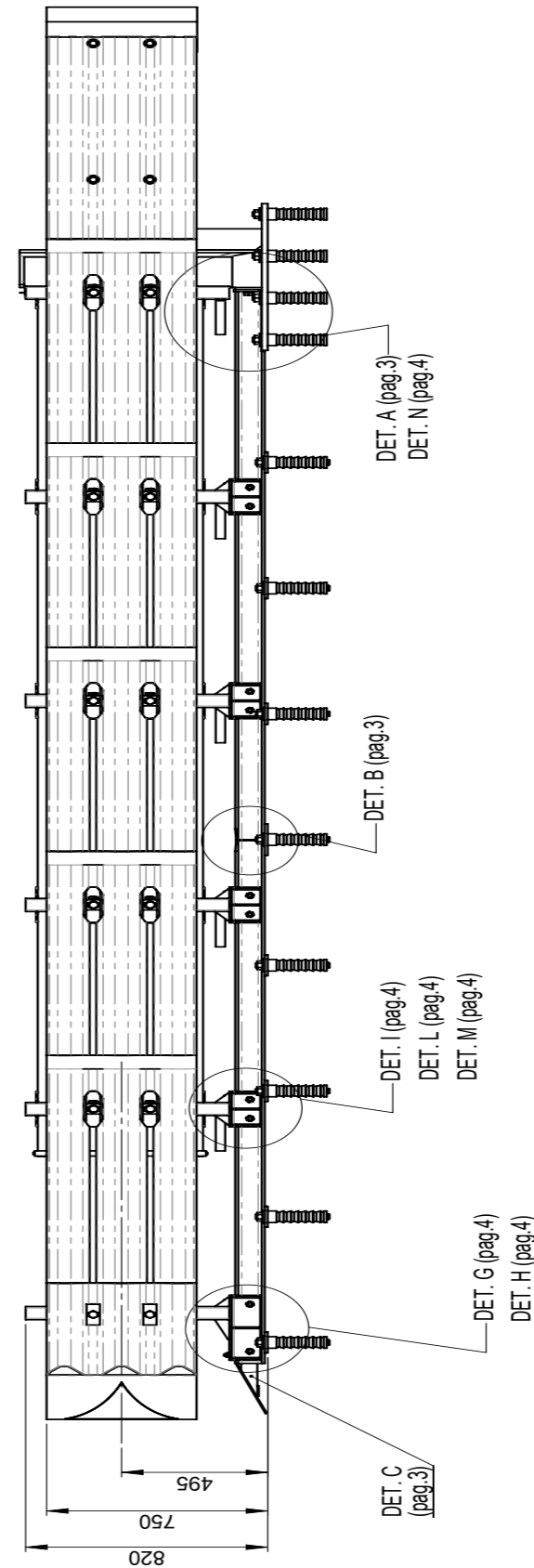
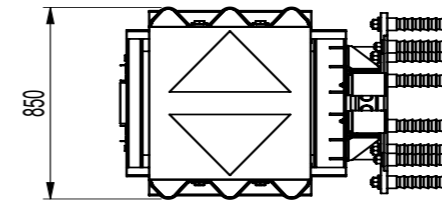


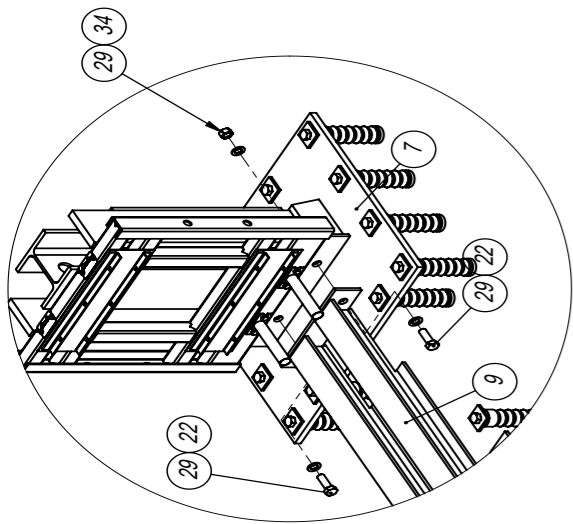
TAU TUBE™ P110 WITH FIXING BARS

POS.	DESCRIZIONE	DESCRIPTION	kg	CODE	QTY.
1	Supporto anteriore	Front support	43,0	TUB0024	1
2	Supporto intermedio	Intermediate support	41,3	TUB0021	4
3	Rotella per carrello	Small wheel	1,2	TUB0025	20
4	Pannello anteriore	Front panel	0,7	TUB0038	2
5	Pannello	Panel	0,4	TUB0027	8
6	Ammortizzatore	Shock absorber	0,3	TUB0042	10
7	Gruppo posteriore	Backstop	233,4	TUB0008	1
8	Guida anteriore	Front rail	124,4	TUB0031	1
9	Guida posteriore	Rear rail	128,3	TUB0032	1
10	Terminale per guida	Terminal for rail	3,3	TUB0047	1
11	Tubo 80x80x2 L=920	Tube 80x80x2 L=920	1,5	TUB0007	20
12	Tubo 80x80x2 L=200	Tube 80x80x2 L=200	0,3	TUB0046	4
13	Supporto tubi	Tubes support	1,1	TUB0045	1
14	Lama L=1250	3-beam panel L=1250	21,1	TUB0009	10
15	Cursore	Slider	0,8	TAU0179	20
16	Lama terminale	Final 3-beam panel	22,5	TAU0020	2
17	Traversa trasversale	Tube crosspiece	1,0	TUB0028	2
18	Vite TE M16 a colletto	Screw HH M16		VCO16-70ZC	20
19	Vite TE M8x20	Screw HH M8x20		VTE08-20ZC	8
20	Vite TE M10x70 parz. filet.	Screw HH M10x70 thread		VTE10-70PZC	20
21	Vite TE M16x50	Screw HH M16x50		VTE16-50ZC	8
22	Vite TE M20x60	Screw HH M20x60		VTE20-60ZC	30
23	Vite TSEI M10x35	Screw FSH M10x35		VTS10-35ZC	20
24	Vite TE M20x80 Inox	Screw HH M20x80 Inox		VTE20-80INX	28
25	Piastrina	Plate	0,3	TUB0041	4
26	Rondella M8	Washer M8		RP08-17ZC	16
27	Rondella M10	Washer M10		RP10-21ZC	40
28	Rondella M16 (øi17xøe40)	Washer M16 (øi17xøe40)		RP17-40ZC	12
29	Rondella M20	Washer M20		RP20-37ZC	36
30	Rondella 60x60x8 ø22	Washer 60x60x8 ø22		RP24-44ZC	28

TAU TUBE™ P110 WITH FIXING BARS

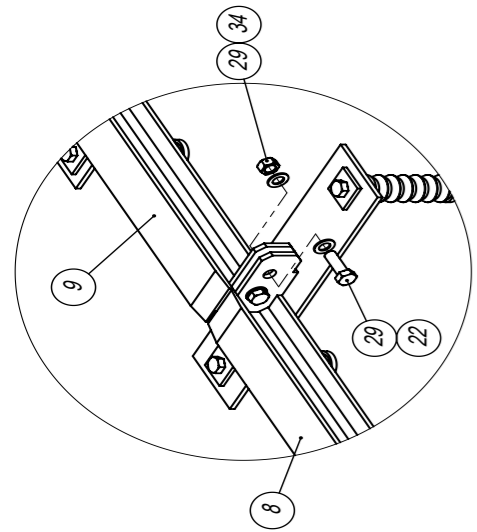
POS.	DESCRIZIONE	DESCRIPTION	kg	CODE	QTY.
31	Dado M8	Nut M8		D08MAZC	8
32	Dado M10	Nut M10		D10MAZC	40
33	Dado M16	Nut M16		D16MAZC	24
34	Dado M20	Nut M20		D20MAZC	30
35	Piletta	Fixing bar	2,5	TAU0024	28
36	Fascetta autobloc.	Clamp (7,9x360)		TAUFSKE134	44
37	Pasta chimica	Chemical Paste		MAL-EAN	14
38	Naso	Nose		TN088YE	1
39	Rivetto Al ø4,8x20 testa	AL rivet ø4,8x20 -large		RV4820	4
40	Targhetta identificazione	Identification plate		TAU0114	1
41	Targhetta marchio CE	CE plate		TUB0089	1
42	Tube per lama terminale	Tube for final 3-beam panel	8,0	TAU0025	2





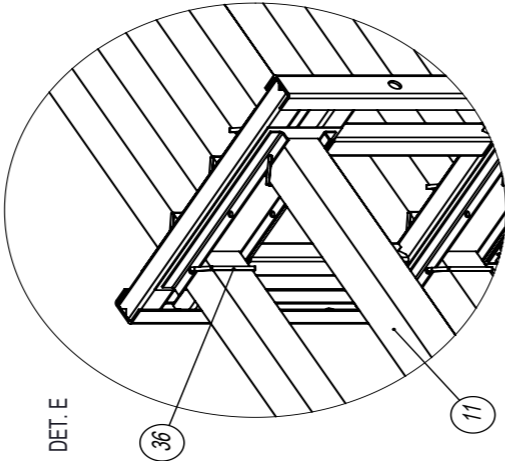
DET.A

BAIA 1° CON N°4 TUBI
DISPOSTI COME DET. F
BAY 1° HAVE N°4 TUB
ARE POSITIONED AS DET. F



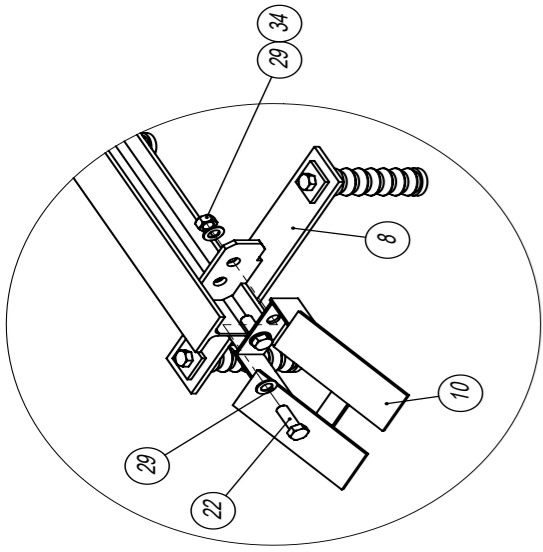
DET.B

BAIA 2° 3° CON N°4 TUBI
DISPOSTI COME DET. E
BAY 2° 3° HAVE N°4 TUBE
ARE POSITIONED AS DET. E

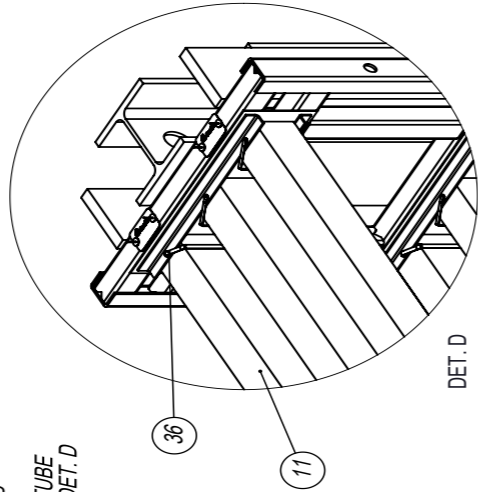


DET.E

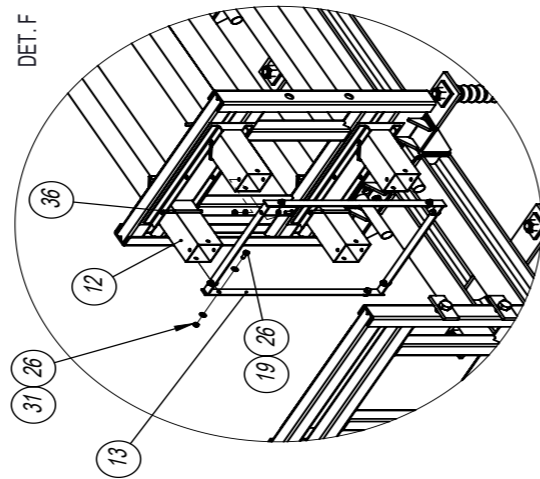
BAIA 4° 5° CON N°6 TUBI
DISPOSTI COME DET. D
BAY 4° 5° HAVE N°6 TUBE
ARE POSITIONED AS DET. D



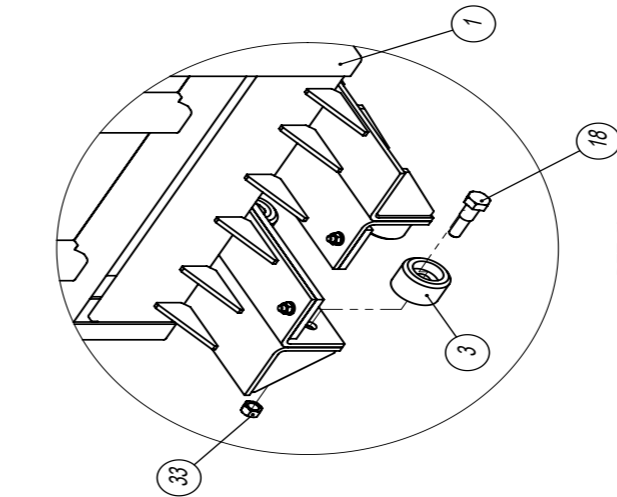
DET.C



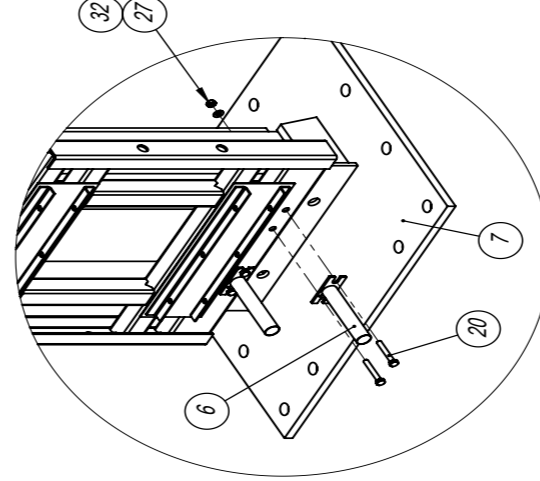
DET.D



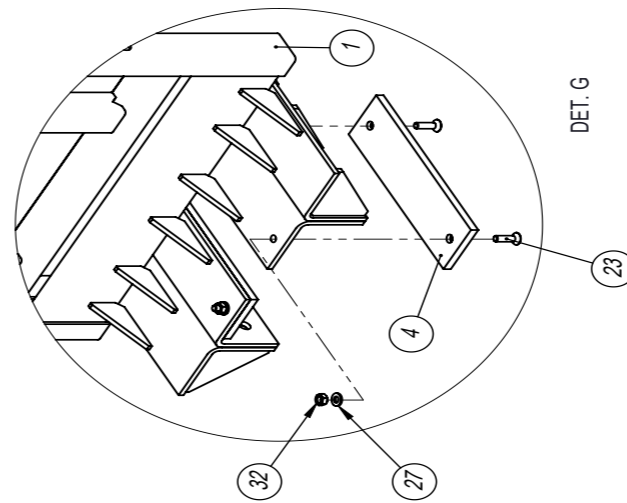
DET.F



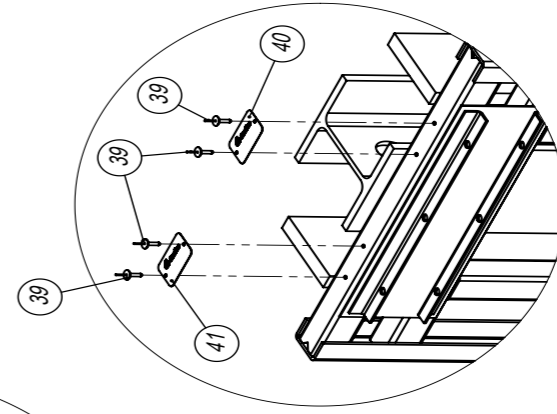
DET.H



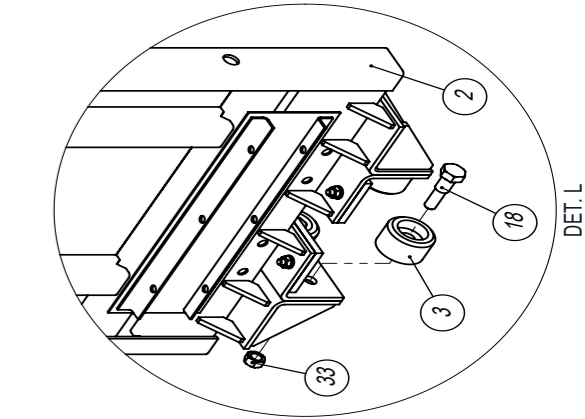
DET.N



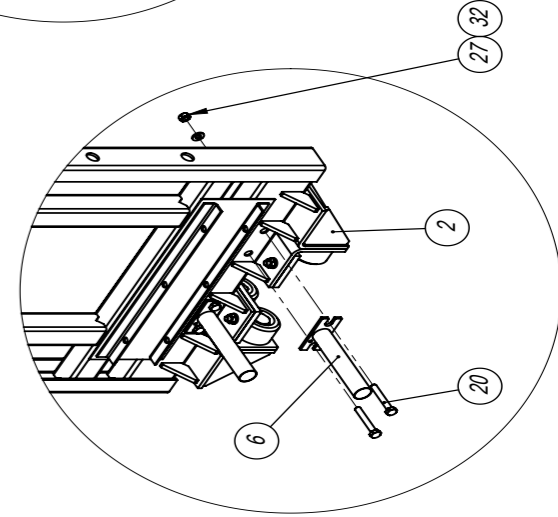
DET.G



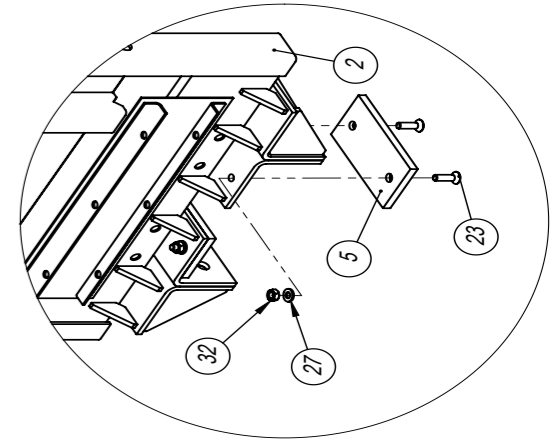
DET.O



DET.L

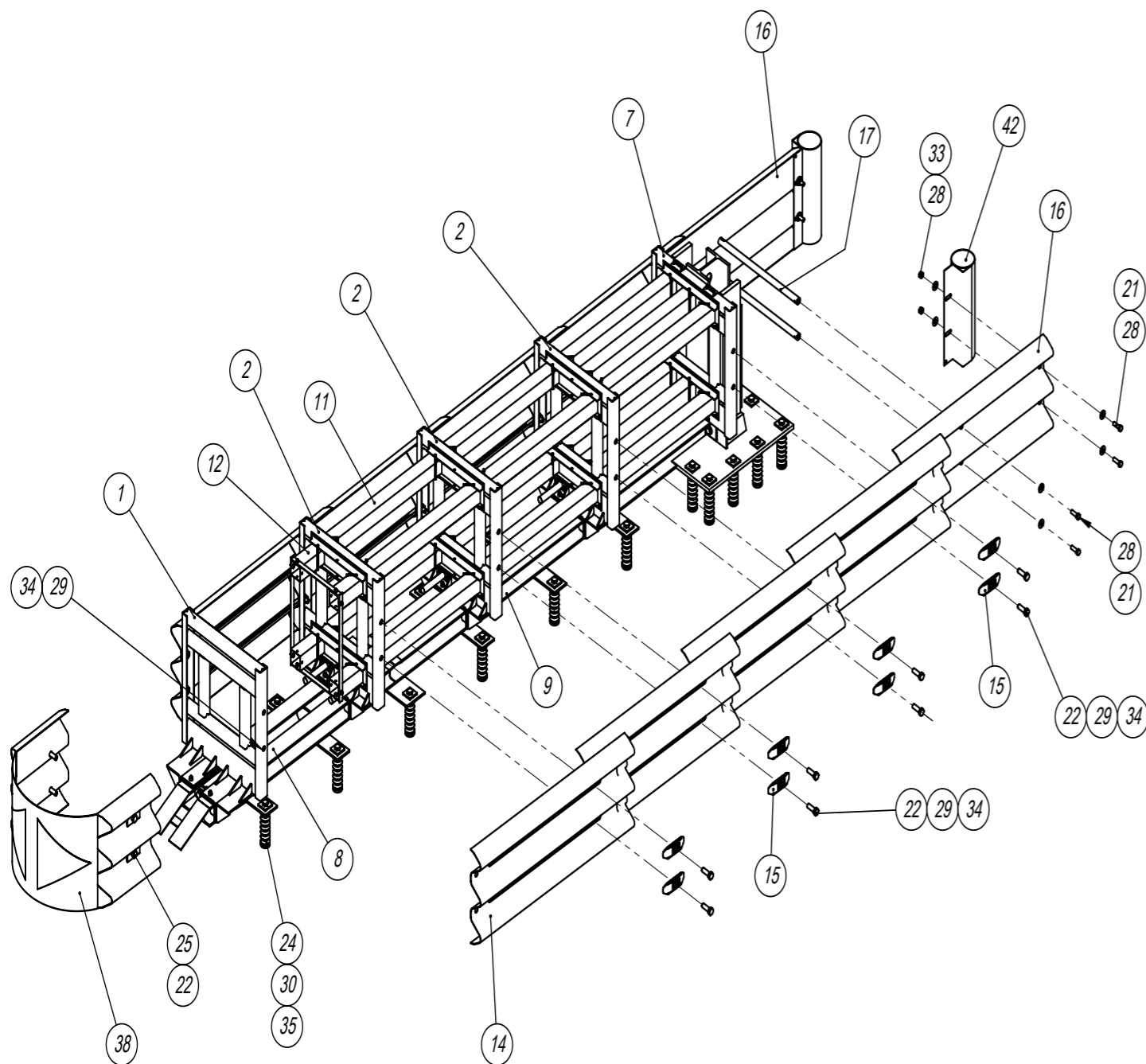


DET.M



DET.I

DRAWINGS AND BOM TAU TUBE™ P100 WITH FIXING BARS

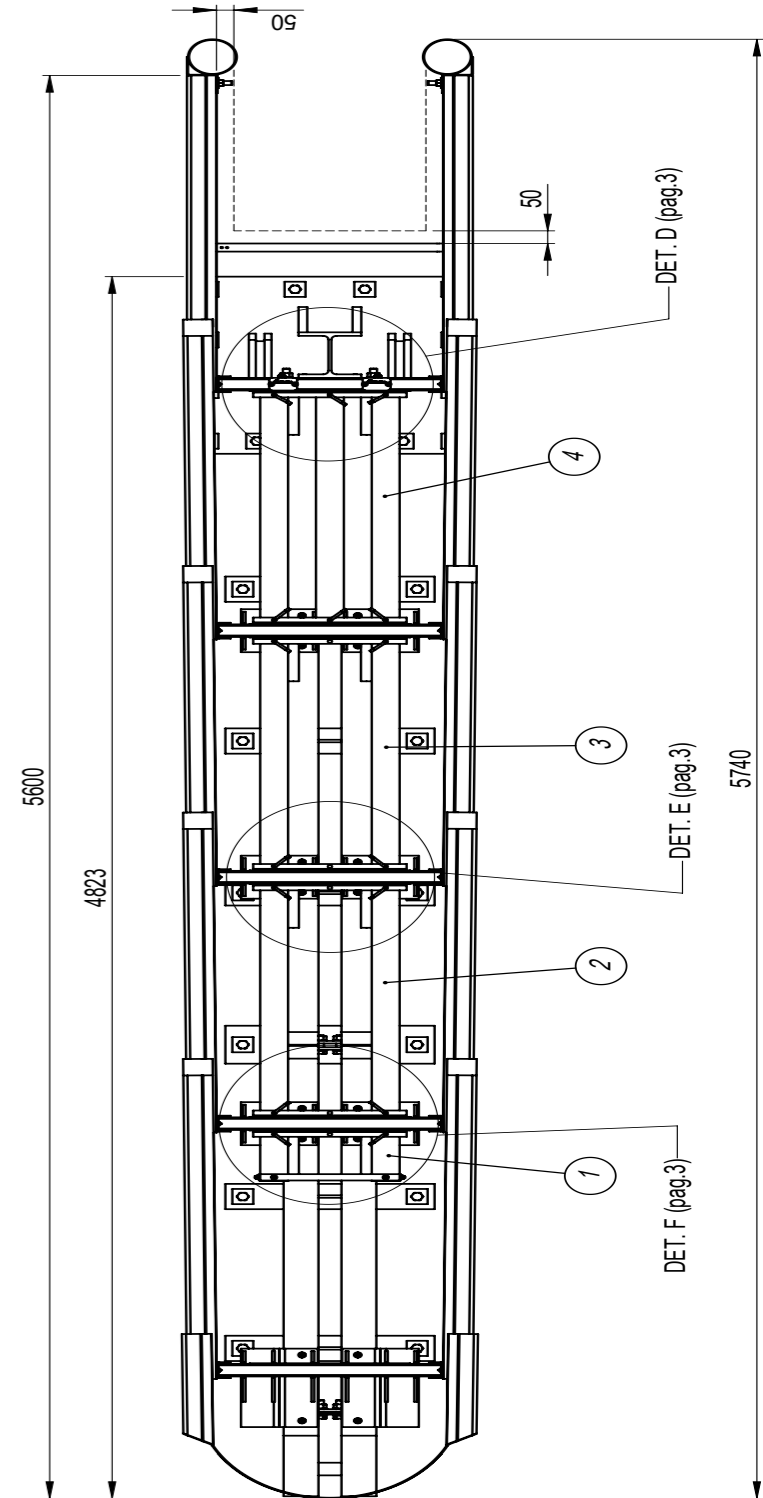
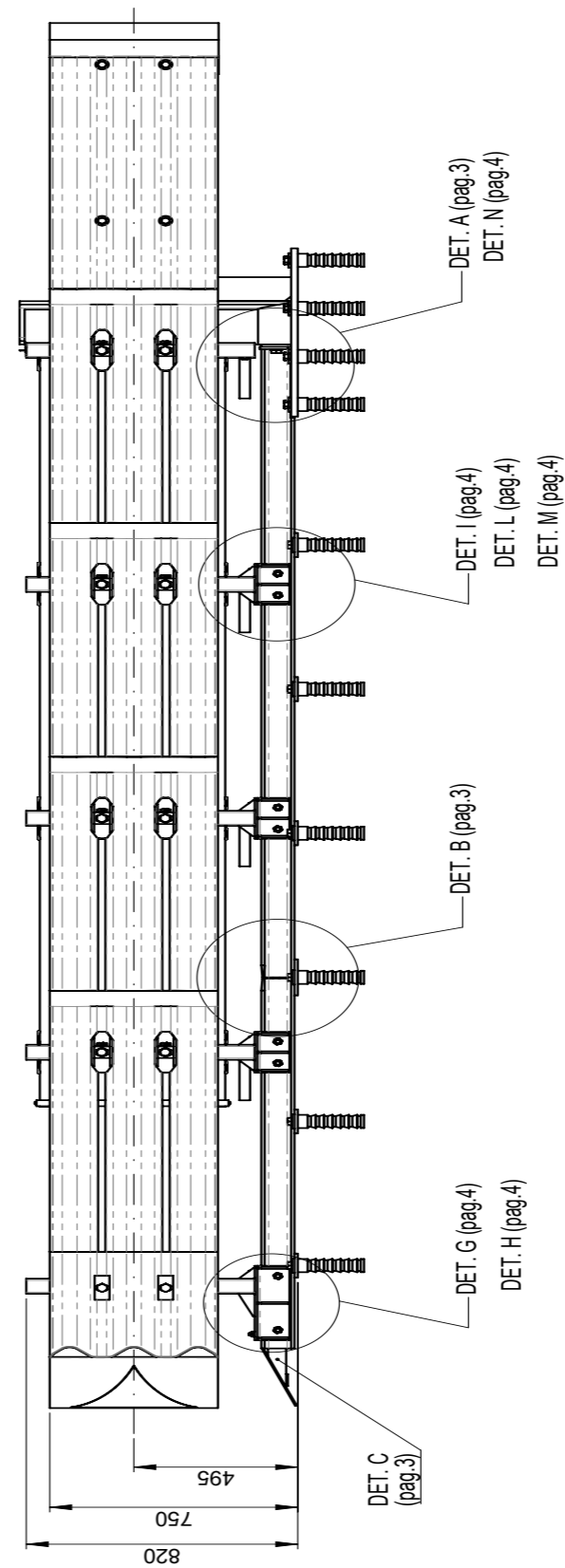
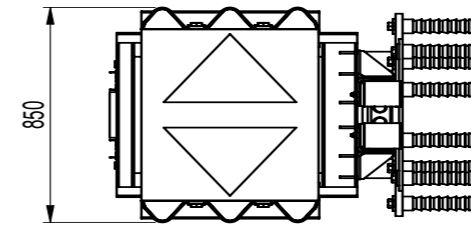


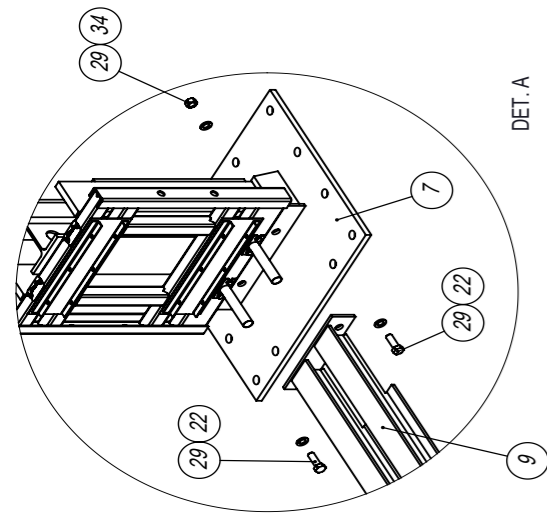
TAU TUBE™ P100 WITH FIXING BARS

POS.	DESCRIZIONE	DESCRIPTION	kg	CODE	QTY.
1	Supporto anteriore	Front support	43,0	TUB0024	1
2	Supporto intermedio	Intermediate support	41,3	TUB0021	3
3	Rotella per carrello	Small wheel	1,2	TUB0025	16
4	Pannello anteriore	Front panel	0,7	TUB0038	2
5	Pannello	Panel	0,4	TUB0027	6
6	Ammortizzatore	Shock absorber	0,3	TUB0042	8
7	Gruppo posteriore	Backstop	233,4	TUB0008	1
8	Guida anteriore	Front rail	124,4	TUB0048	1
9	Guida posteriore	Rear rail	128,3	TUB0032	1
10	Terminale per guida	Terminal for rail	3,3	TUB0047	1
11	Tubo 80x80x2 L=920	Tube 80x80x2 L=920	1,5	TUB0007	14
12	Tubo 80x80x2 L=200	Tube 80x80x2 L=200	0,3	TUB0046	4
13	Supporto tubi	Tubes support	1,1	TUB0045	1
14	Lama L=1250	3-beam panel L=1250	21,0	TUB0009	8
15	Cursore	Slider	0,8	TAU0179	16
16	Lama terminale	Final 3-beam panel	22,5	TAU0020	2
17	Traversa trasversale	Tube crosspiece	1,0	TUB0028	2
18	Vite TE M16 a colletto	Screw HH M16		VCO16-70ZC	16
19	Vite TE M8x20	Screw HH M8x20		VTE08-20ZC	8
20	Vite TE M10x70 parz. filet.	Screw HH M10x70 thread		VTE10-70PZC	16
21	Vite TE M16x50	Screw HH M16x50		VTE16-50ZC	8
22	Vite TE M20x60	Screw HH M20x60		VTE20-60ZC	26
23	Vite TSEI M10x35	Screw FSH M10x35		VTS10-35ZC	16
24	Vite TE M20x80 Inox	Screw HH M20x80 Inox		VTE20-80INX	24
25	Piastrina	Plate	0,3	TUB0041	4
26	Rondella M8	Washer M8		RP08-17ZC	16
27	Rondella M10	Washer M10		RP10-21ZC	32
28	Rondella M16 (øi17xøe40)	Washer M16 (øi17xøe40)		RP17-40ZC	12
29	Rondella M20	Washer M20		RP20-37ZC	32
30	Rondella 60x60x8 ø22	Washer 60x60x8 ø22		RQ22-60ZC	24

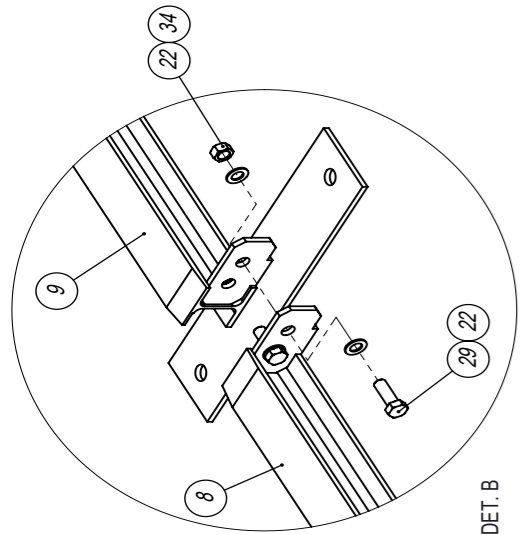
TAU TUBE™ P100 WITH FIXING BARS

POS.	DESCRIZIONE	DESCRIPTION	kg	CODE	QTY.
31	Dado M8	Nut M8		D08MAZC	8
32	Dado M10	Nut M10		D10MAZC	32
33	Dado M16	Nut M16		D16MAZC	20
34	Dado M20	Nut M20		D20MAZC	26
35	Piletta	Fixing bar		TAU0024	24
36	Fascetta autobloc.	Clamp (7,9x360)		TAUFSKE134	32
37	Pasta chimica	Chemical Paste		MAL-EAN	12
38	Naso	Nose		TN088YE	1
39	Rivetto Al ø4,8x20 testa	AL rivet ø4,8x20 -large		RV4820	4
40	Targhetta identificazione	Identification plate		TAU0114	1
41	Targhetta marchio CE	CE plate		TUB0089	1
42	Tube per lama terminale	Tube for final 3-beam panel	8,0	TAU0025	2

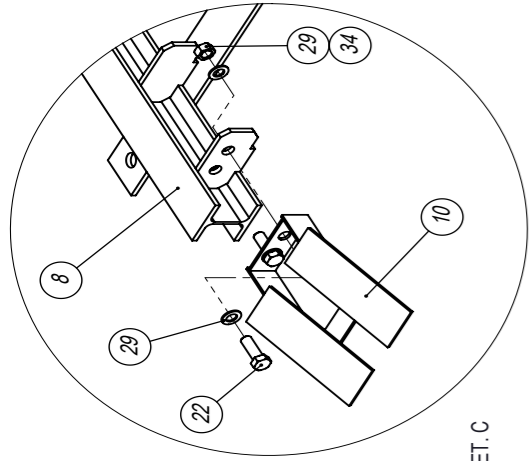




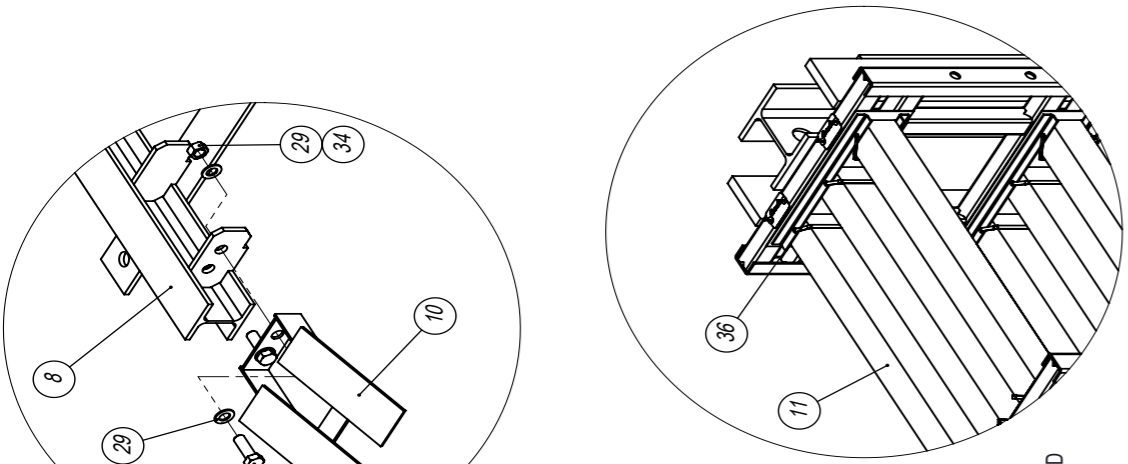
DET. A



DET. B

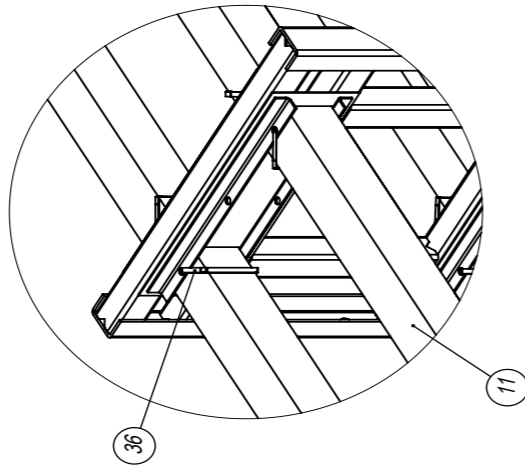


DET. C



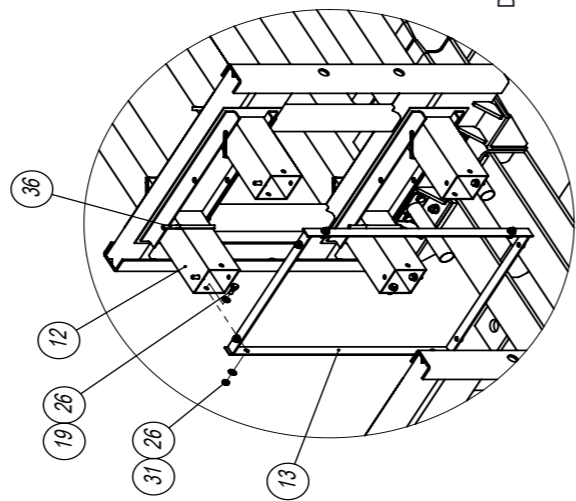
DET. D

BAIA 4° CON N°6 TUBI
DISPOSTI COME DET. D
BAY 4° HAVE N°6 TUBE
ARE POSITIONED AS DET. D



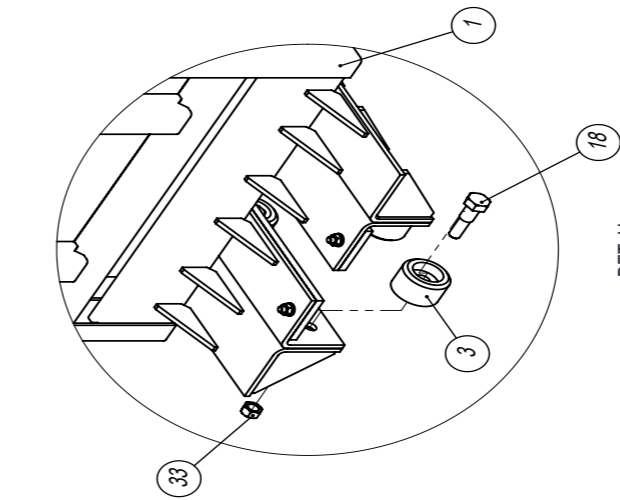
DET. E

BAIA 2° 3° CON N°4 TUBI
DISPOSTI COME DET. E
BAY 2° 3° HAVE N°4 TUBE
ARE POSITIONED AS DET. E

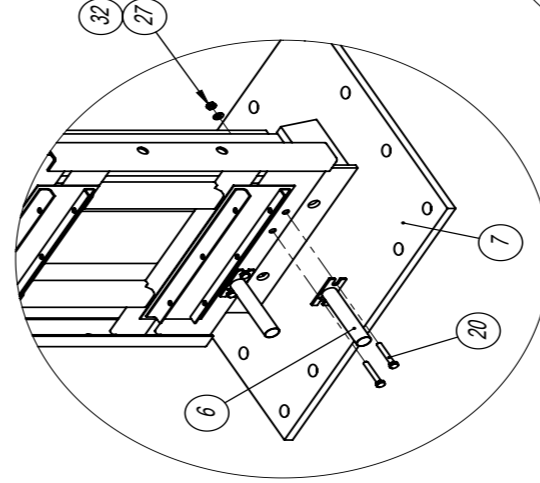


DET. F

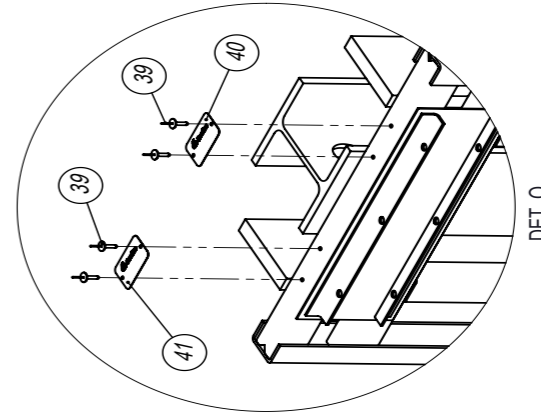
BAIA 1° CON N°4 TUBI
DISPOSTI COME DET. F
BAY 1° HAVE N°4 TUB
ARE POSITIONED AS DET. F



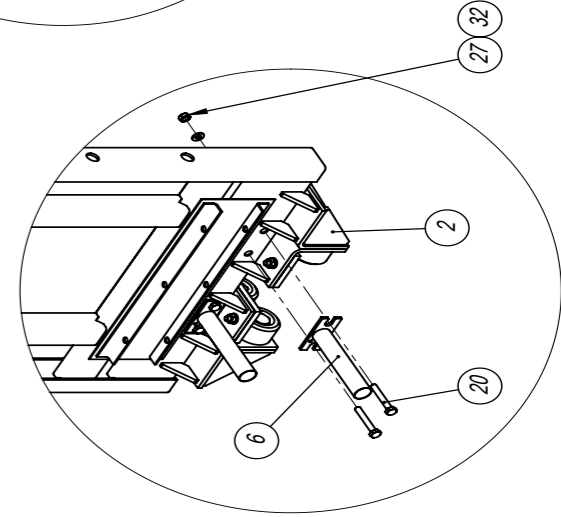
DET. H



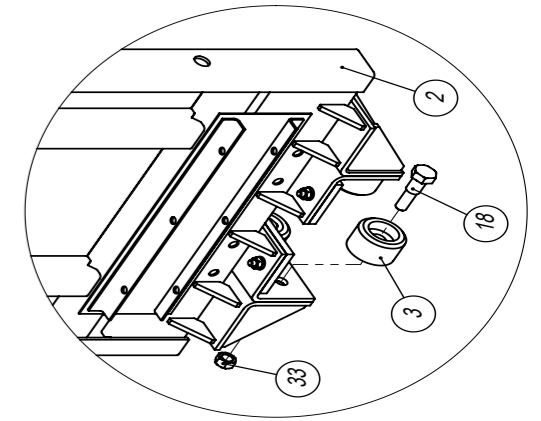
DET. N



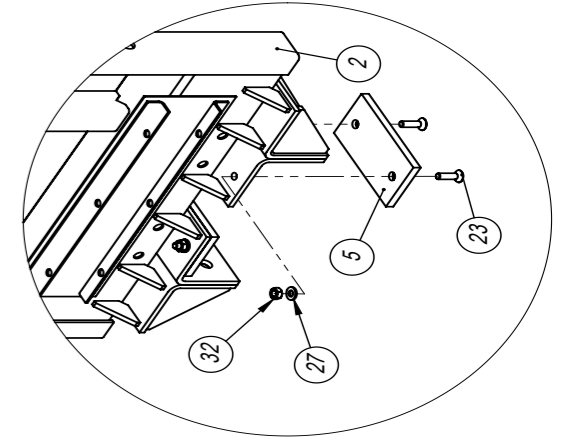
DET. O



DET. M

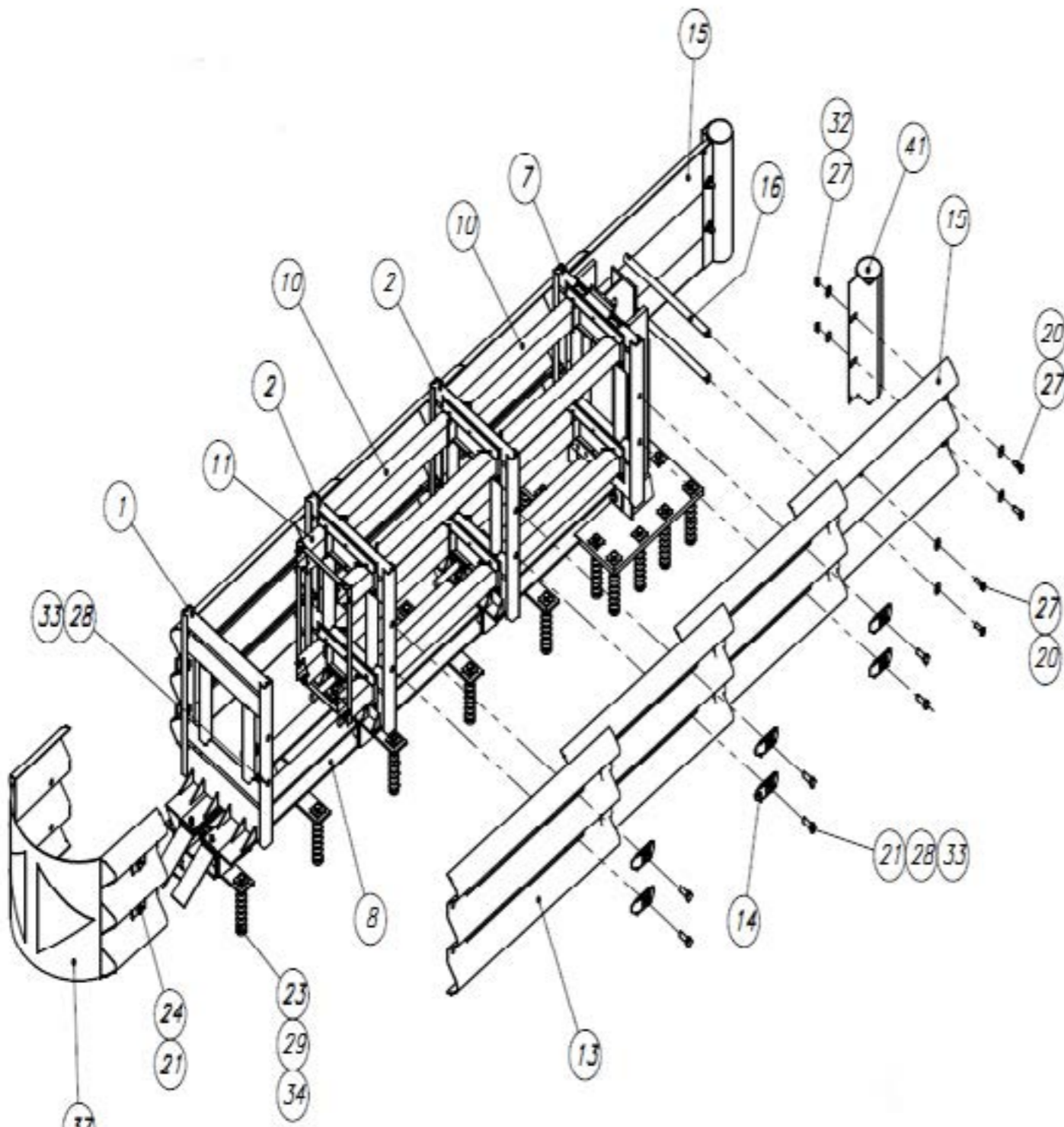


DET. L



DET. I

DRAWINGS AND BOM TAU TUBE™ P80 WITH FIXING BARS

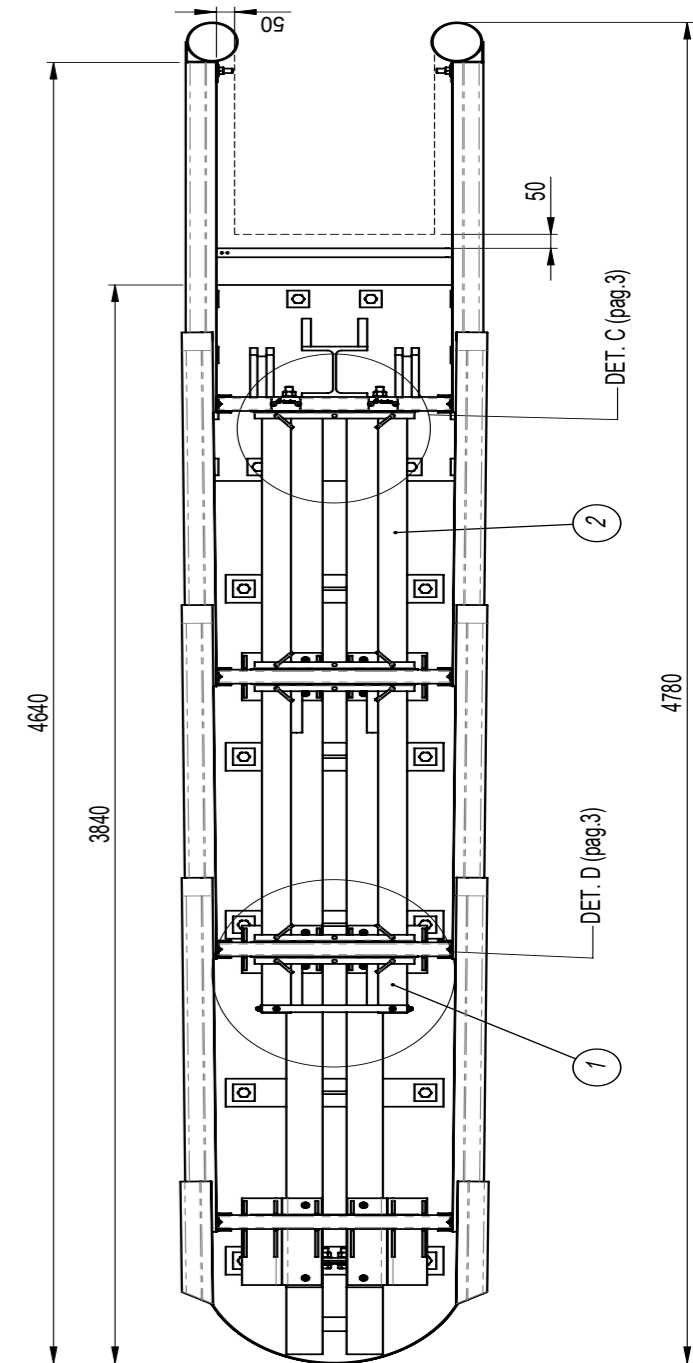
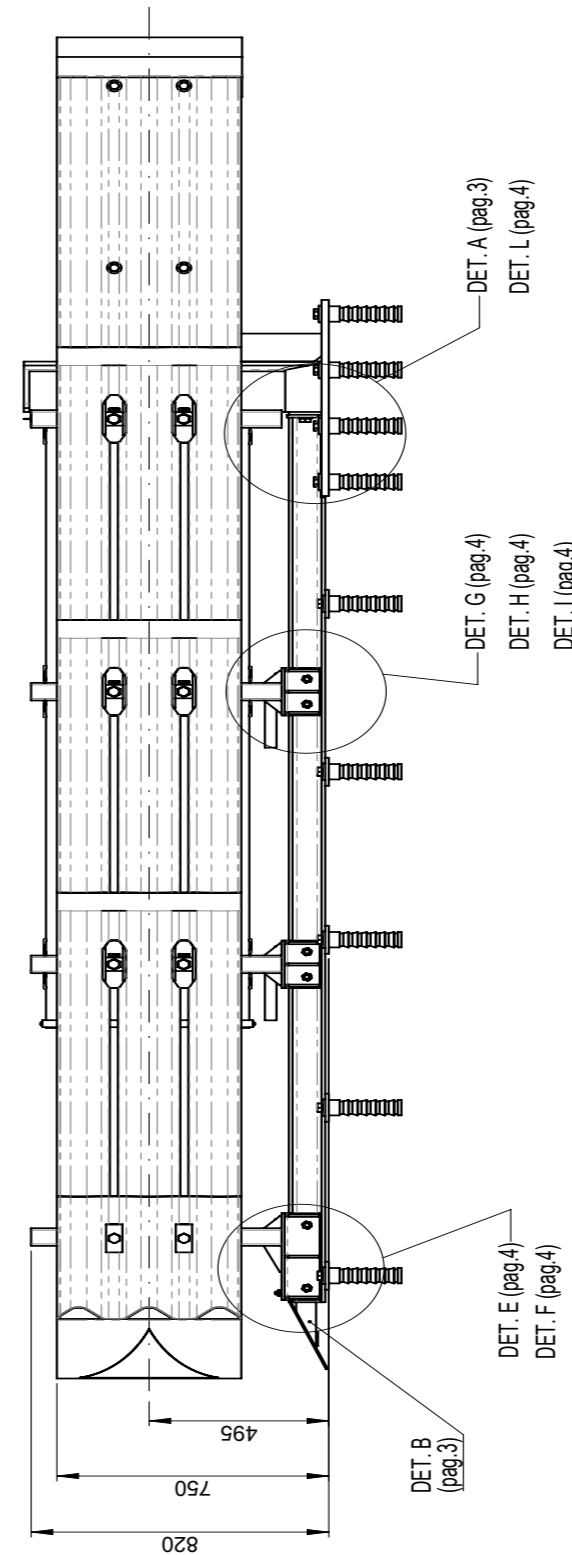
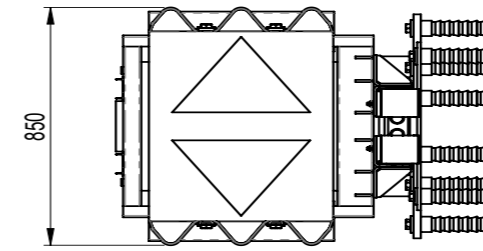


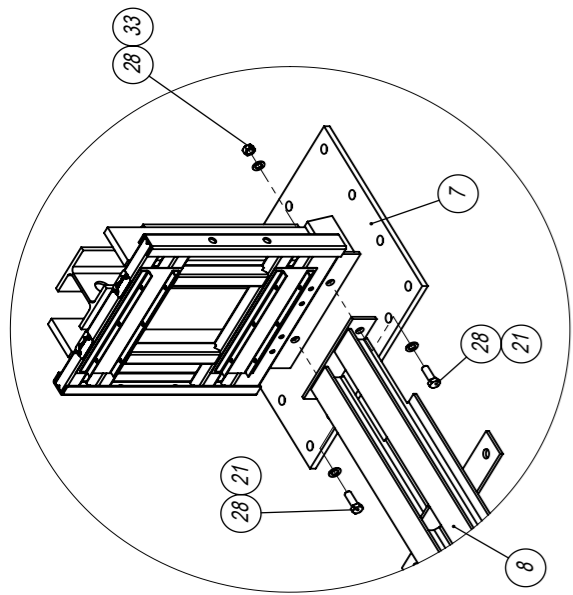
TAU TUBE™ P80 WITH FIXING BARS

POS.	DESCRIZIONE	DESCRIPTION	kg	CODE	QTY.
1	Supporto anteriore	Front support	43,0	TUB0024	1
2	Supporto intermedio	Intermediate support	41,3	TUB0021	2
3	Rotella per carrello	Small wheel	1,2	TUB0025	12
4	Pannello anteriore	Front panel	0,7	TUB0038	2
5	Pannello	Panel	0,3	TUB0027	4
6	Ammortizzatore	Shock absorber	0,3	TUB0042	4
7	Gruppo posteriore	Backstop	233,4	TUB0008	1
8	Guida	Front rail	153,5	TUB0049	1
9	Terminale per guida	Terminal for rail	3,3	TUB0047	1
10	Tubo 80x80x2 L=920	Tube 80x80x2 L=920	1,5	TUB0007	8
11	Tubo 80x80x2 L=200	Tube 80x80x2 L=200	0,3	TUB0046	4
12	Supporto tubi	Tubes support	1,1	TUB0045	1
13	Lama L=1250	3-beam panel L=1250	21,0	TUB0009	6
14	Cursore	Slider	0,8	TAU0179	12
15	Lama terminale	Final 3-beam panel	22,5	TAU0020	2
16	Traversa trasversale	Tube crosspiece	1,0	TUB0028	2
17	Vite TE M16 a colletto	Screw HH M16		VCO16-70ZC	12
18	Vite TE M8x20	Screw HH M8x20		VTE08-20ZC	8
19	Vite TE M10x70 parz. filet.	Screw HH M10x70 thread part.		VTE10-70PZC	8
20	Vite TE M16x50	Screw HH M16x50		VTE16-50ZC	8
21	Vite TE M20x60	Screw HH M20x60		VTE20-60ZC	20
22	Vite TSEI M10x35	Screw FSH M10x35		VTS10-35ZC	12
23	Vite TE M20x80 Inox	Screw HH M20x80 Inox		VTE20-80INX	22
24	Piastrina	Plate	0,3	TUB0041	4
25	Rondella M8	Washer M8		RP08-17ZC	16
26	Rondella M10	Washer M10		RP10-21ZC	20
27	Rondella M16 (øi17xøe40)	Washer M16 (øi17xøe40)		RP17-40ZC	12
28	Rondella M20	Washer M20		RP20-37ZC	24
29	Rondella 60x60x8 ø22	Washer 60x60x8 ø22		RQ22-60ZC	22

TAU TUBE™ P80 WITH FIXING BARS

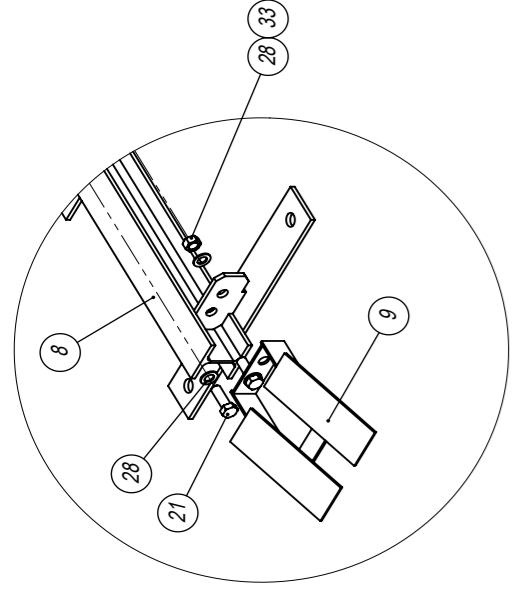
POS.	DESCRIZIONE	DESCRIPTION	kg	CODE	QTY.
30	Dado M8	Nut M8		D08MAZC	8
31	Dado M10	Nut M10		D10MAZC	20
32	Dado M16	Nut M16		D16MAZC	16
33	Dado M20	Nut M20		D20MAZC	20
34	Piletta	Fixing bar	2,5	TAU0024	22
35	Fascetta autobloc.	Clamp (7,9x360)		TAUFSKE134	20
36	Pasta chimica	Chemical Paste		MAL-EAN	11
37	Naso	Nose		TN088YE	1
38	Rivetto Al ø4,8x20 testa	AL rivet ø4,8x20 -large		RV4820	4
39	Targhetta identificazione	Identification plate		TAU0114	1
40	Targhetta marchio CE	CE plate		TUB0089	1
41	Tube per lama terminale	Tube for final 3-beam panel	8,0	TAU0025	2





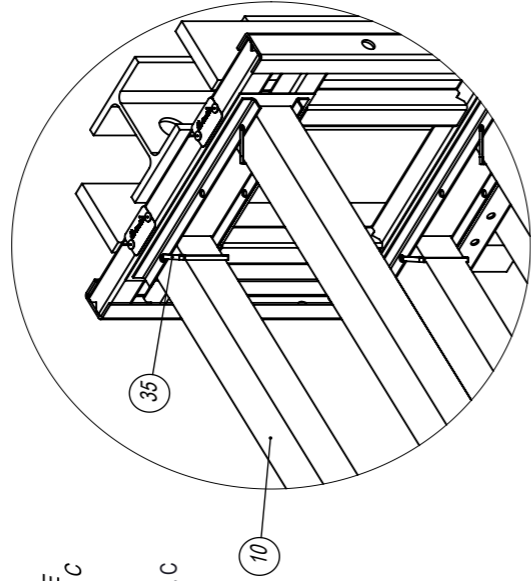
DET. A

BAIA 1° CON N°4 TUBI
DISPOSTI COME DET. D
BAY 1° HAVE N°4 TUB
ARE POSITIONED AS DET. D

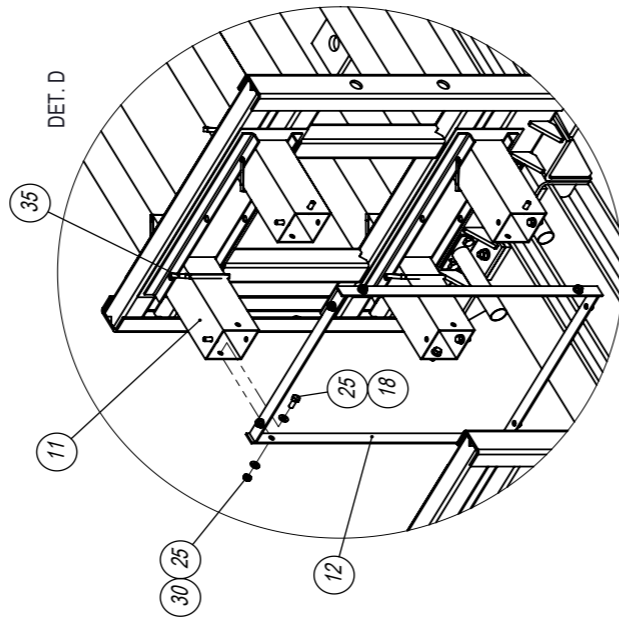


DET. B

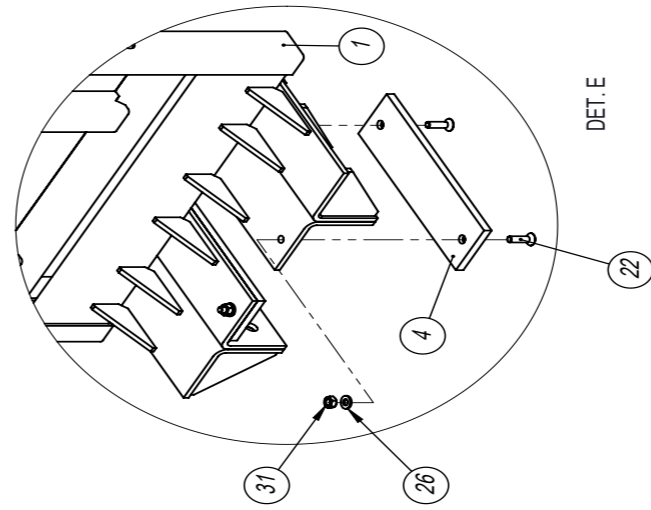
BAIA 2°, 3° CON N°4 TUBI
DISPOSTI COME DET. C
BAY 2°, 3° HAVE N°4 TUBE
ARE POSITIONED AS DET. C



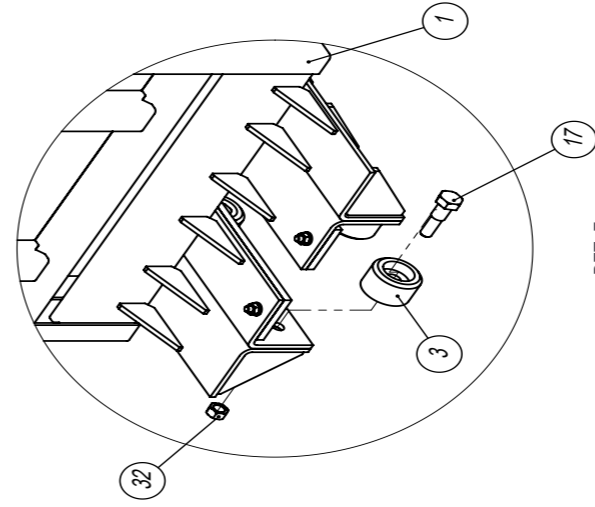
DET. C



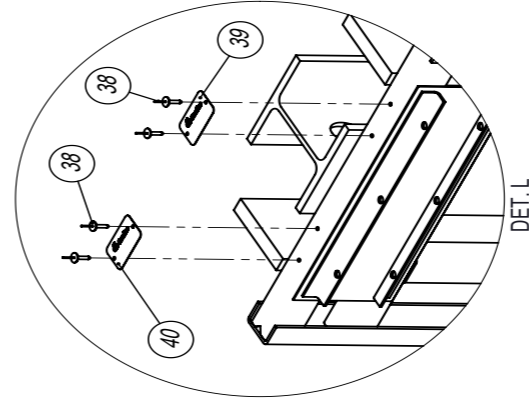
DET. D



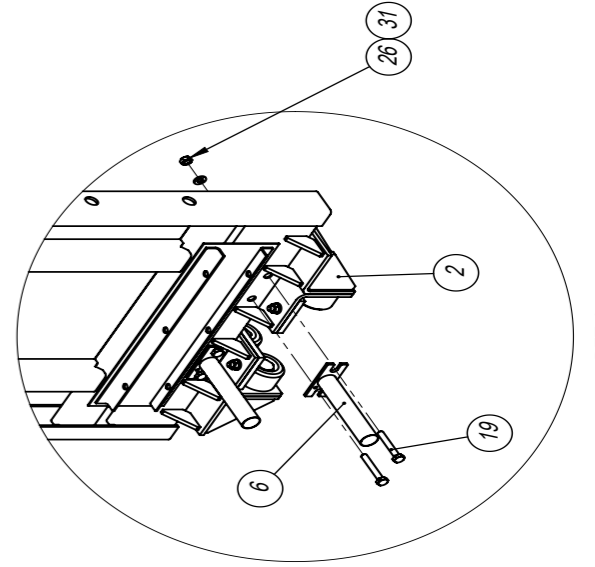
DET. E



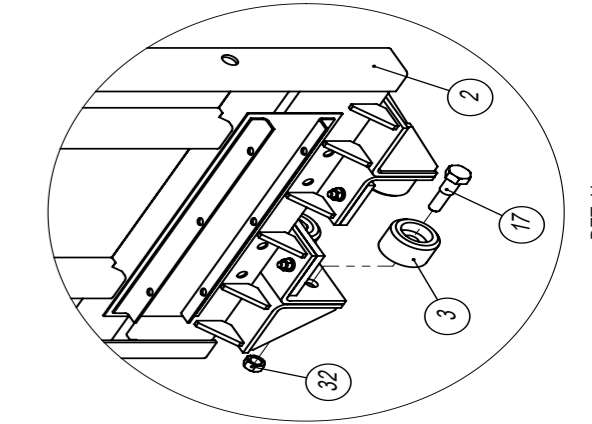
DET. F



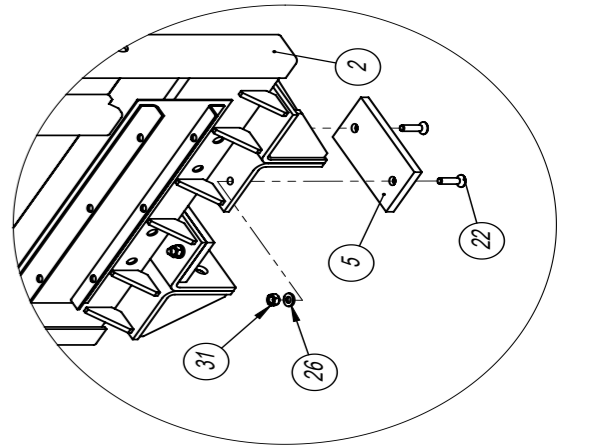
DET. L



DET. I

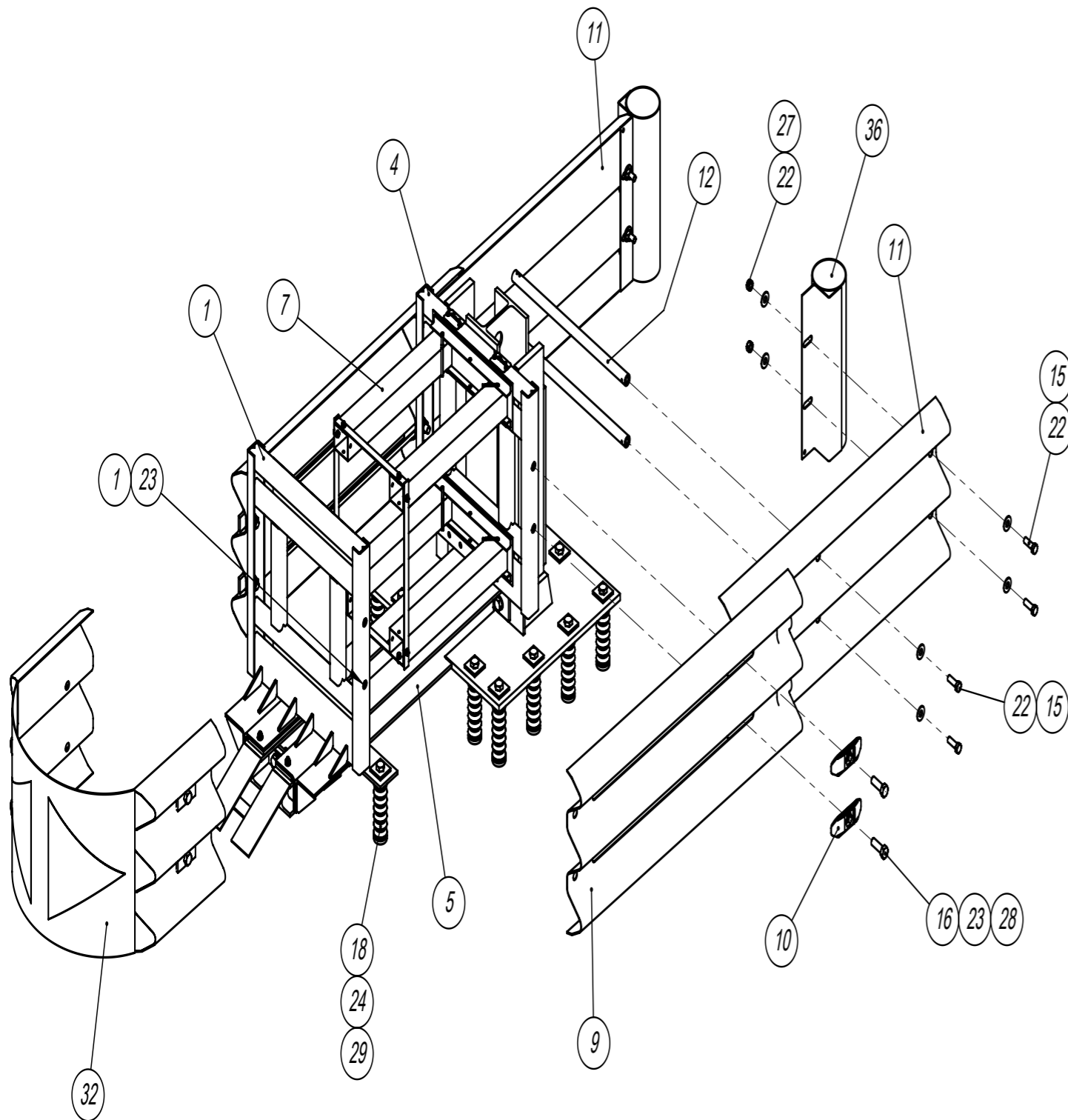


DET. H



DET. G

DRAWINGS AND BOM TAU TUBE™ P50 WITH FIXING BARS

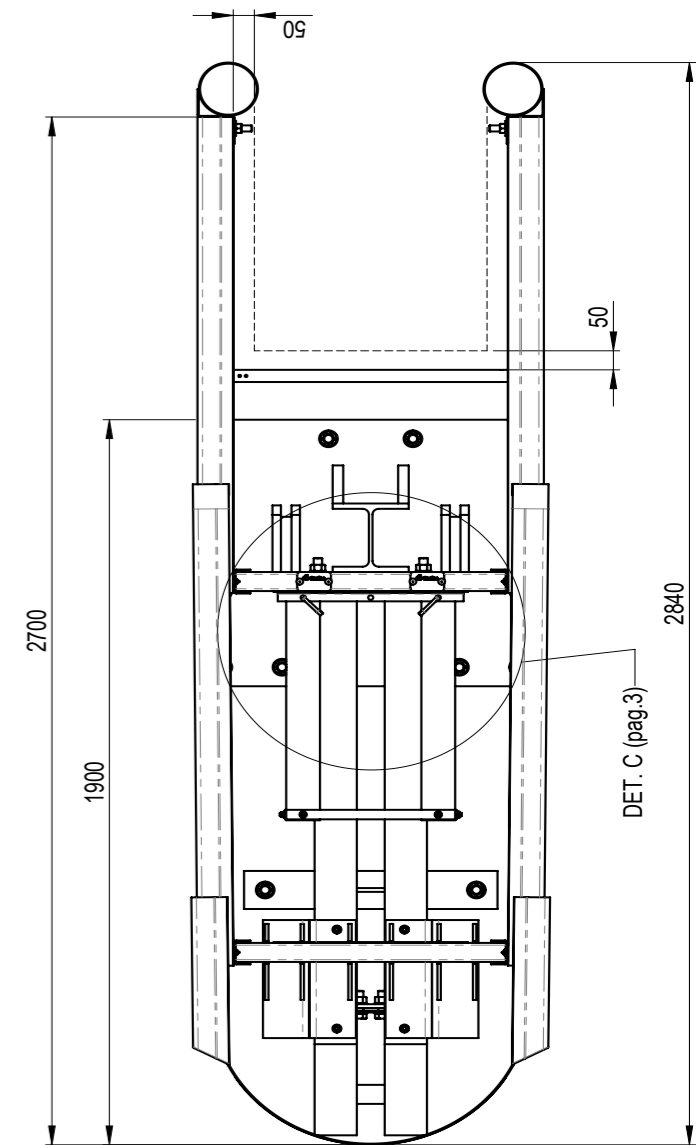
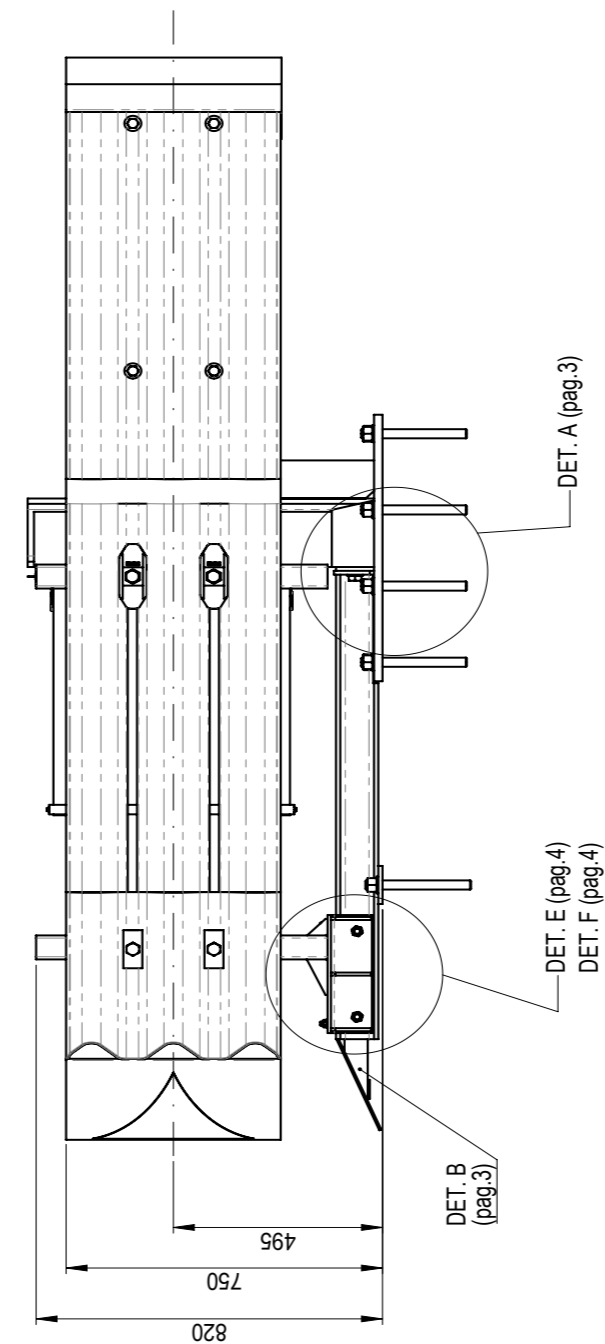
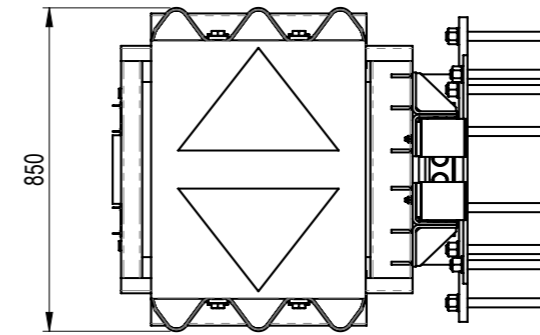


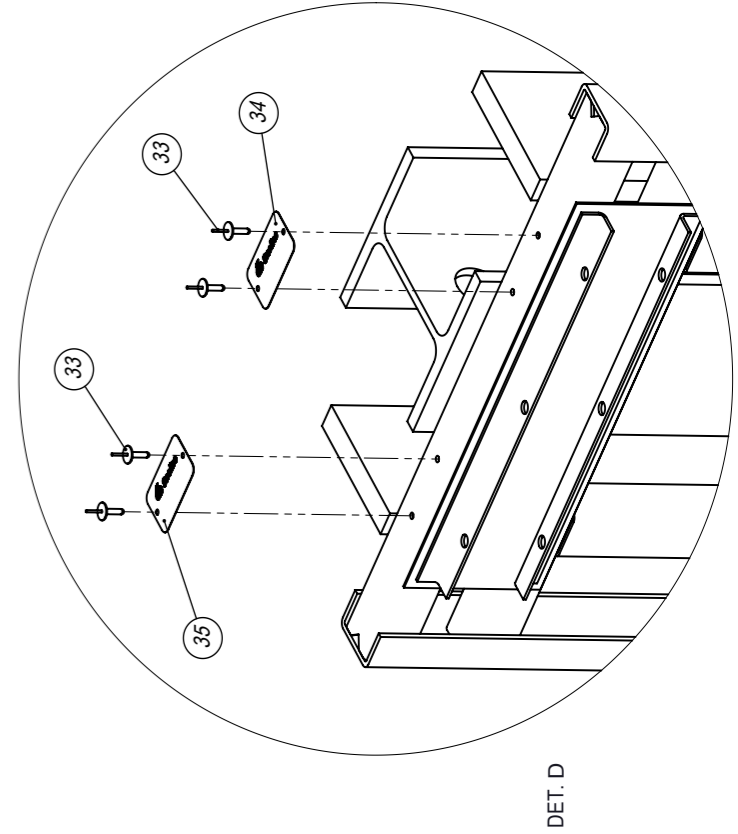
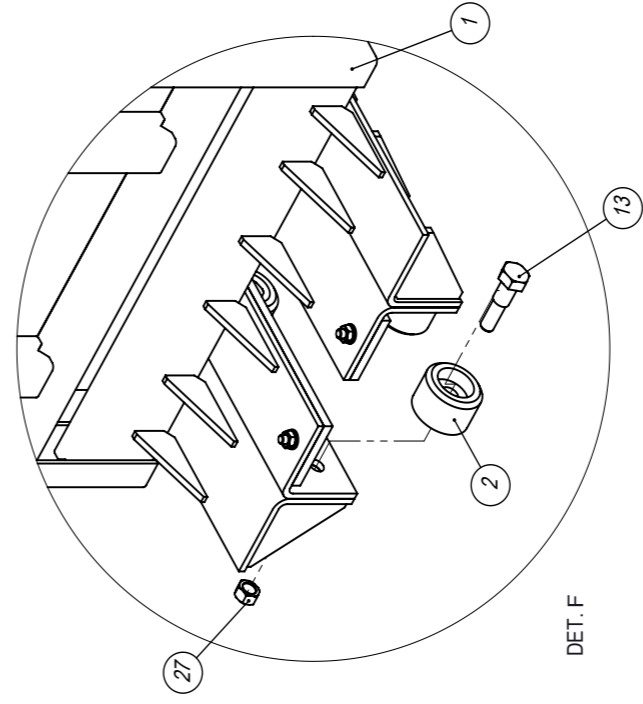
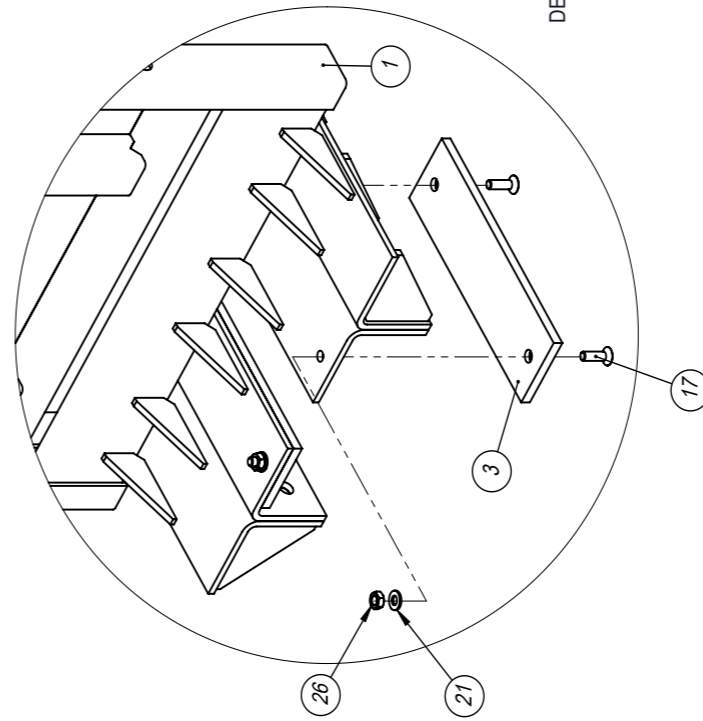
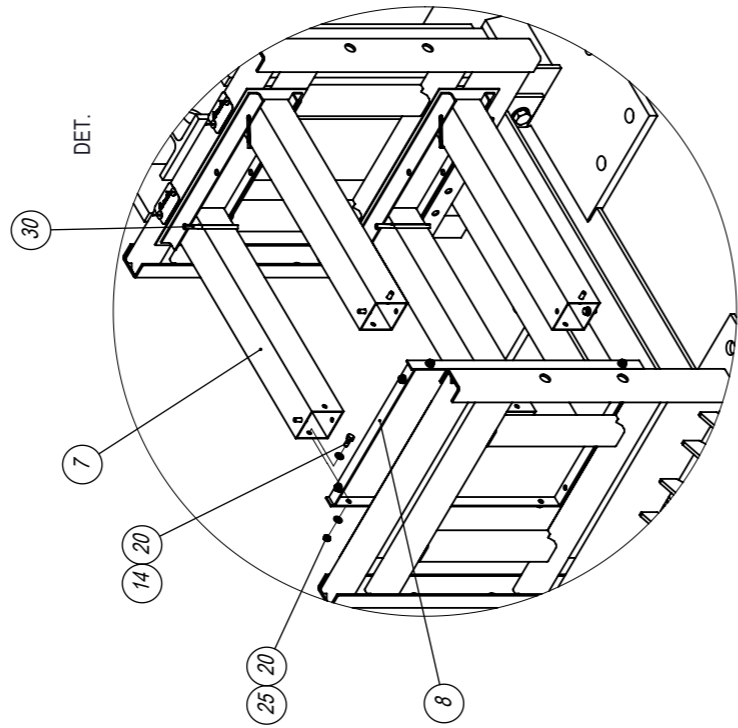
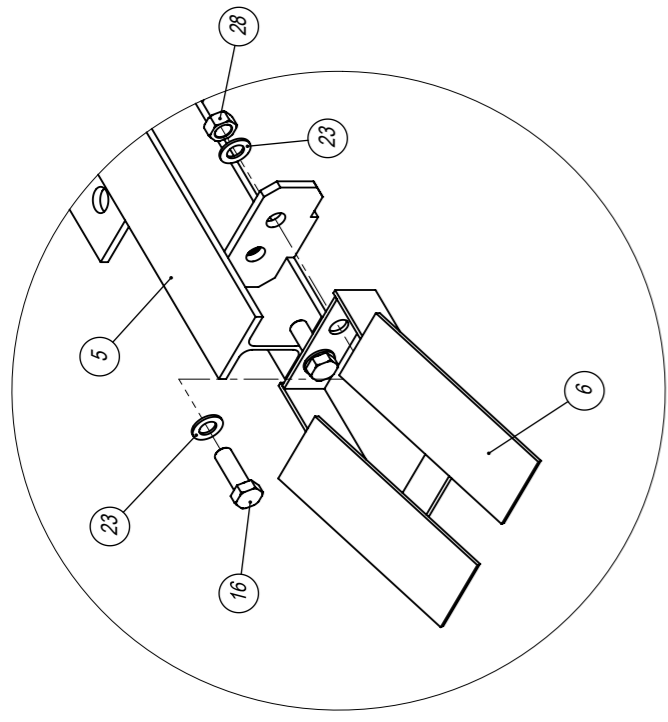
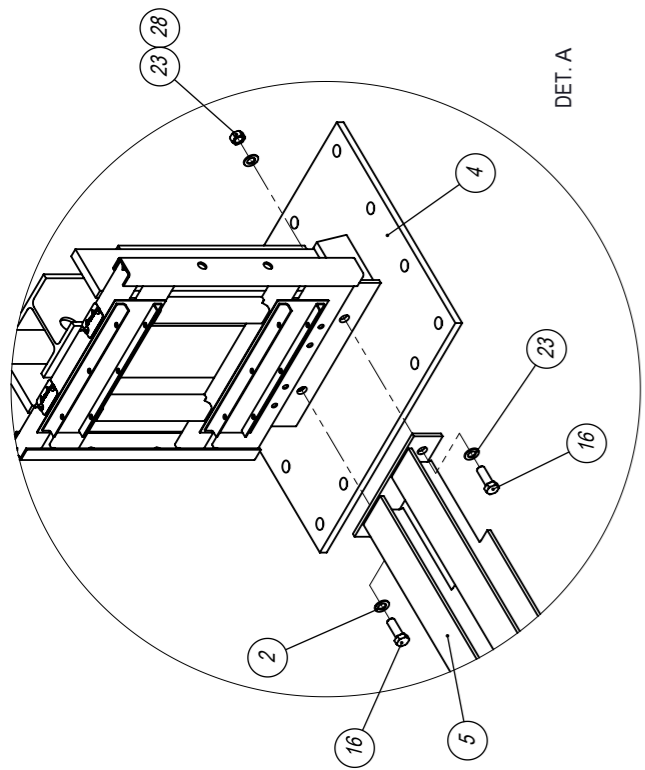
TAU TUBE™ P50 WITH FIXING BARS

POS.	DESCRIZIONE	DESCRIPTION	kg	CODE	QTY.
1	Supporto anteriore	Front support	43,0	TUB0024	1
2	Rotella per carrello	Small wheel	1,2	TUB0025	4
3	Pannello anteriore	Front panel	0,7	TUB0038	2
4	Gruppo posteriore	Backstop	233,4	TUB0008	1
5	Guida	Rail	53,5	TUB0050	1
6	Terminale per guida	Terminal for rail	3,3	TUB0047	1
7	Tube 80x80x2 L=600	Tube 80x80x2 L=600	0,5	TUB0060	4
8	Supporto tubi	Tubes support	1,1	TUB0045	1
9	Lama L=1250	3-beam panel L=1250	21,0	TUB0009	2
10	Cursore	Slider	0,8	TAU0179	4
11	Lama terminale	Final 3-beam panel	22,5	TAU0020	2
12	Traversa trasversale	Tube crosspiece	1,0	TUB0028	2
13	Vite TE M16 a colletto	Screw HH M16		VCO16-70ZC	4
14	Vite TE M8x20	Screw HH M8x20		VTE08-20ZC	8
15	Vite TE M16x50	Screw HH M16x50		VTE16-50ZC	8
16	Vite TE M20x60	Screw HH M20x60		VTE20-60ZC	12
17	Vite TSEI M10x35	Screw FSH M10x35		VTS10-35ZC	4
18	Vite TE M20x80 Inox	Screw HH M20x80 Inox		VTE20-80INX	14
19	Piastrina	Plate	0,3	TUB0041	4
20	Rondella M8	Washer M8		RP08-17ZC	16
21	Rondella M10	Washer M10		RP10-21ZC	4
22	Rondella M16 (øi17xøe40)	Washer M16 (øi17xøe40)		RP17-40ZC	12
23	Rondella M20	Washer M20		RP20-37ZC	16
24	Rondella 60x60x8 ø22	Washer 60x60x8 ø22		TAU0582	14
25	Dado M8	Nut M8		D08MAZC	8
26	Dado M10	Nut M10		D10MAZC	4
27	Dado M16	Nut M16		D16MAZC	8
28	Dado M20	Nut M20		D20MAZC	12
29	Piletta	Fixing bar	2,5	TAU0024	14
30	Fascetta autobloc.	Clamp (7,9x360)		TAUFSKE134	4

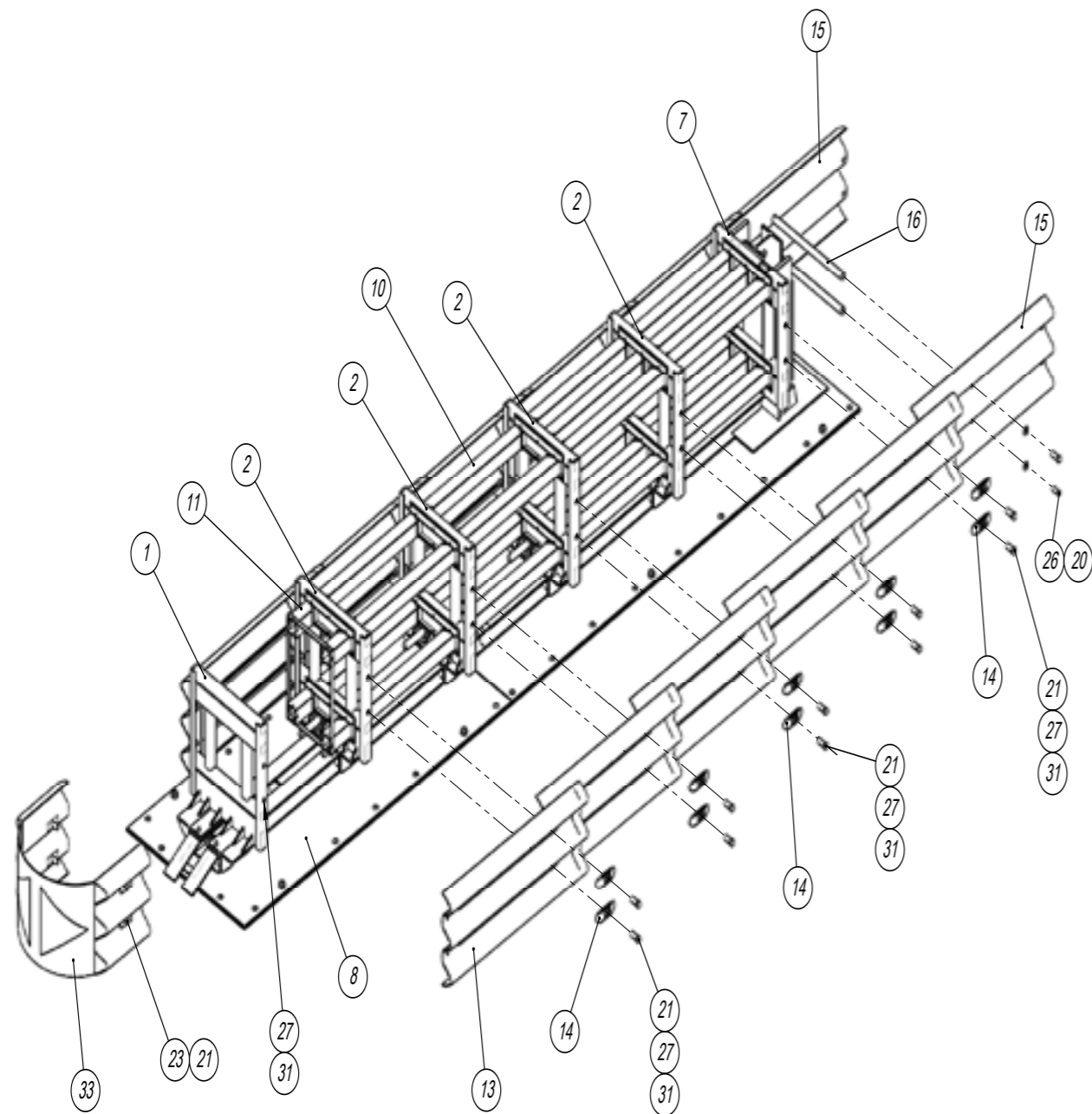
TAU TUBE™ P50 CON PILETTE

POS.	DESCRIZIONE	DESCRIPTION	kg	CODE	QTY.
31	Pasta chimica	Chemical Paste		MAL-EAN	7
32	Naso	Nose		TN088YE	1
33	Rivetto Al ø4,8x20 testa	AL rivet ø4,8x20 -large		RV4820	4
34	Targhetta identificazione	Identification plate		TAU0114	1
35	Targhetta marchio CE	CE plate		TUB0089	1
36	Tube per lama terminale	Tube for final 3-beam panel	8,0	TAU0025	2





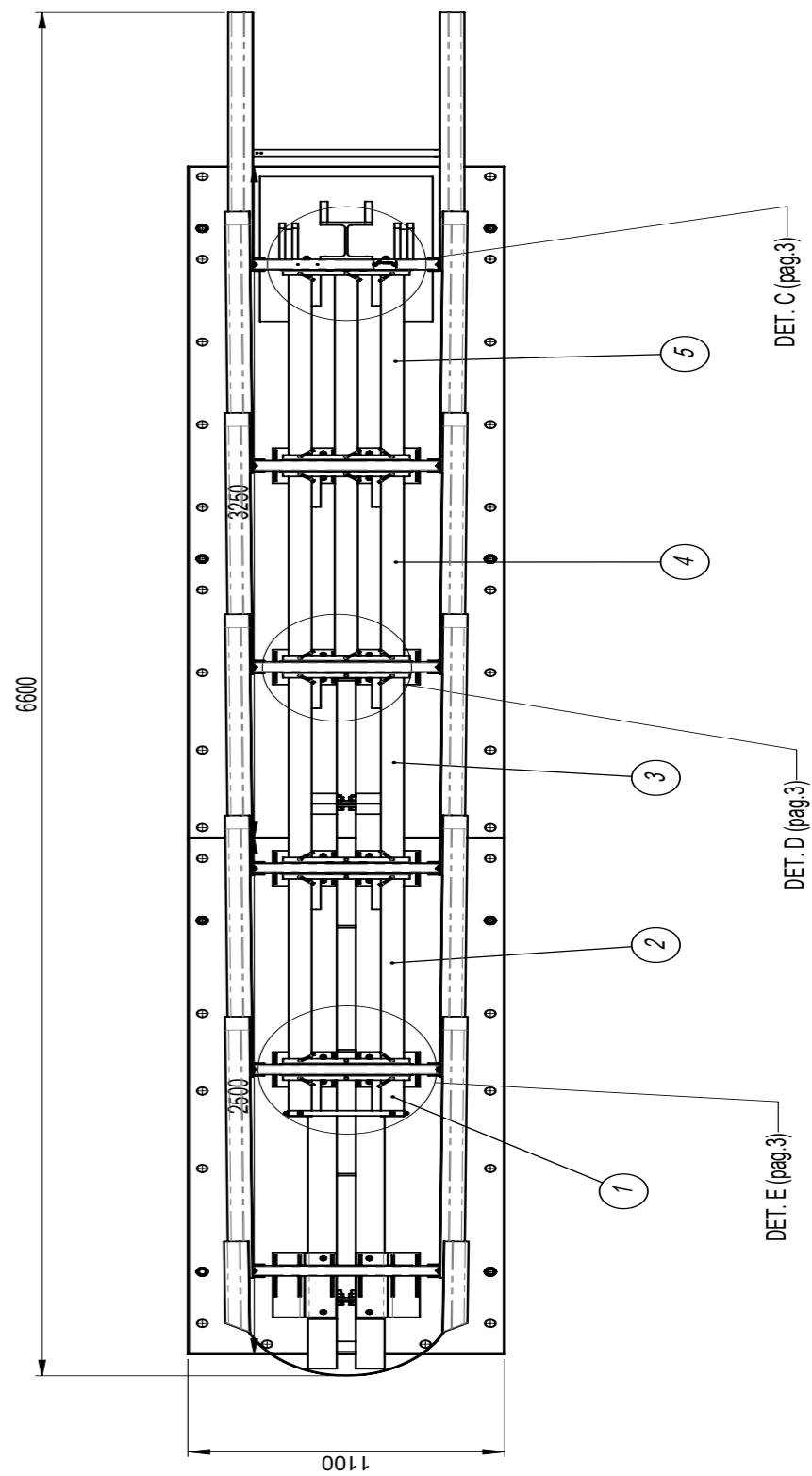
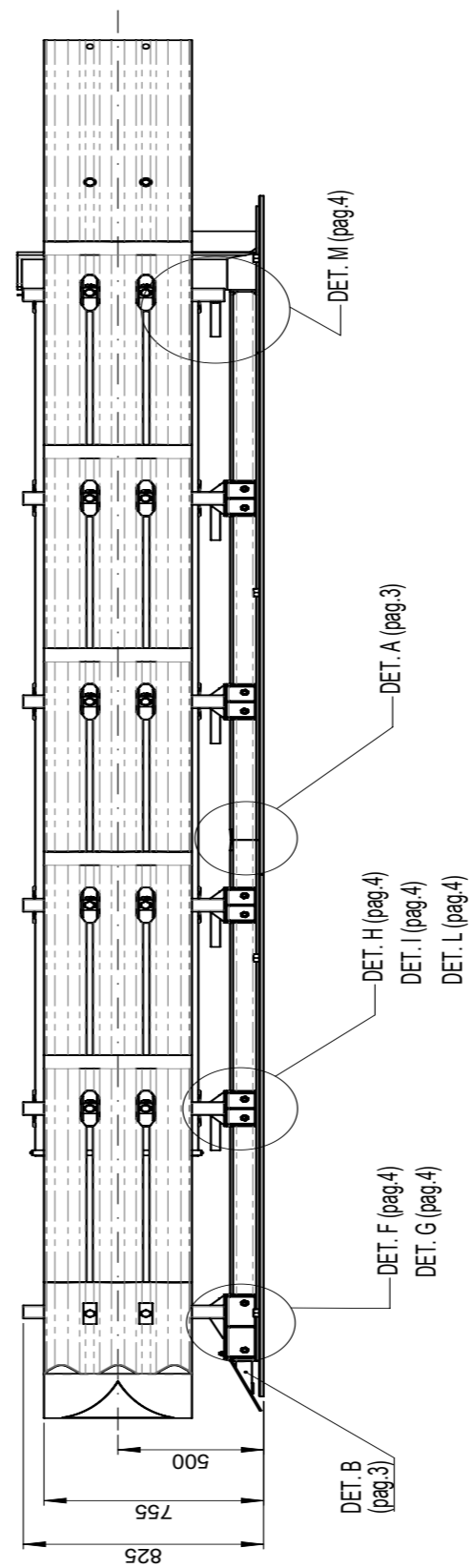
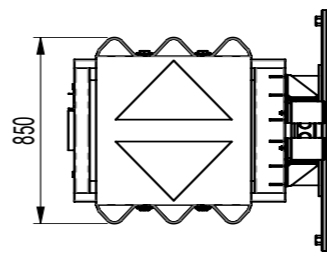
DRAWINGS AND BOM TAU TUBE™ P110 ON PLATE

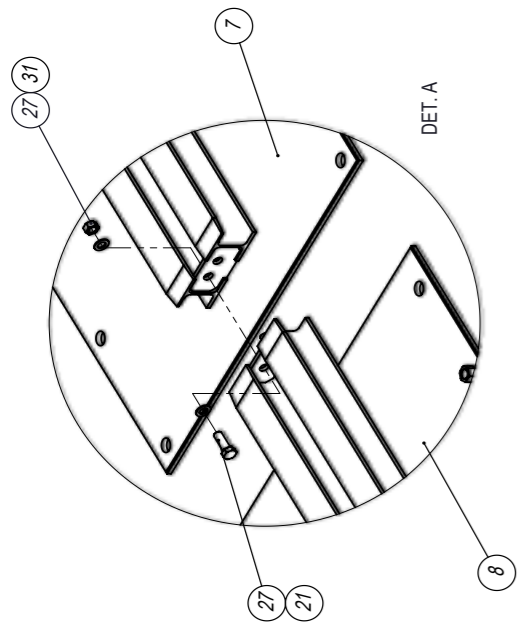


TAU TUBE™ P110 ON PLATE

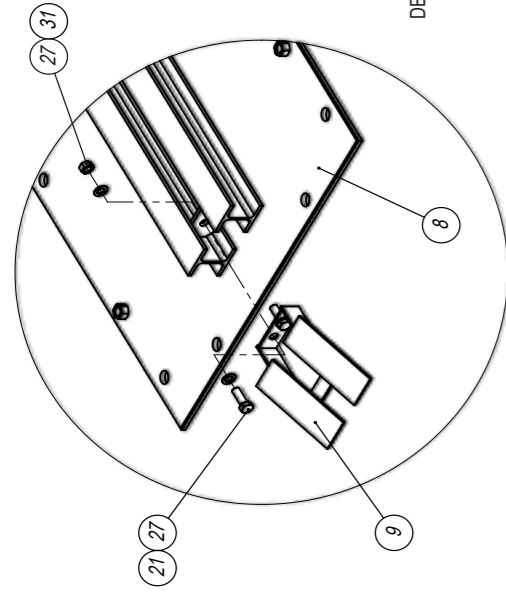
POS.	DESCRIZIONE	DESCRIPTION	kg	CODE	QTY.
1	Supporto anteriore	Front support	43,0	TUB0024	1
2	Supporto intermedio	Intermediate support	41,3	TUB0021	4
3	Rotella per carrello	Small wheel	1,2	TUB0025	20
4	Pannello anteriore	Front panel	0,7	TUB0038	2
5	Pannello	Panel	0,4	TUB0027	8
6	Ammortizzatore	Shock absorber	0,3	TUB0042	10
7	Piastrone post. compl.	Complete rear plate	703,0	TUB0064	1
8	Piastrone ant. compl.	Complete front plate	427,0	TUB0065	1
9	Terminale per guida	Terminal for rail	3,3	TUB0047	1
10	Tubo 80x80x2 L=920	Tube 80x80x2 L=920	1,5	TUB0007	20
11	Tubo 80x80x2 L=200	Tube 80x80x2 L=200	0,3	TUB0046	4
12	Supporto tubi	Tubes support	1,1	TUB0045	1
13	Lama L=1250	3-beam panel L=1250	21,0	TUB0009	10
14	Cursore	Slider	0,8	TAU0179	20
15	Lama terminale	Final 3-beam panel	22,5	TAU0020	2
16	Traversa trasversale	Tube crosspiece	1,0	TUB0028	2
17	Vite TE M16 a colletto	Screw HH M16		VCO16-70ZC	20
18	Vite TE M8x20	Screw HH M8x20		VTE08-20ZC	8
19	Vite TE M10x70 parz. filet.	Screw HH M10x70 thread		VTE10-70PZC	20
20	Vite TE M16x50	Screw HH M16x50		VTE16-50ZC	4
21	Vite TE M20x60	Screw HH M20x60		VTE20-60ZC	28
22	Vite TSEI M10x35	Screw FSH M10x35		VTS10-35ZC	20
23	Piastrina	Plate	0,3	TUB0041	4
24	Rondella M8	Washer M8		RP08-17ZC	16
25	Rondella M10	Washer M10		RP10-21ZC	40
26	Rondella M16 (øi17xøe40)	Washer M16 (øi17xøe40)		RP17-40ZC	4
27	Rondella M20	Washer M20		RP20-37ZC	32
28	Dado M8	Nut M8		D08MAZC	8
29	Dado M10	Nut M10		D10MAZC	40
30	Dado M16	Nut M16		D16MAZC	20

TAU TUBE™ P110 ON PLATE					
POS.	DESCRIZIONE	DESCRIPTION	kg	CODE	QTY.
31	Dado M20	Nut M20		D20MAZC	28
32	Fascetta autobloc. (7,9x360)	Clamp (7,9x360)		TAUFSKE134	44
33	Naso	Nose		TN088YE	1
34	Rivetto Al ø4,8x20 testa larga	AL rivet ø4,8x20 -large large		RV4820	2
35	Targhetta identificazione	Identification plate		TAU0114	1



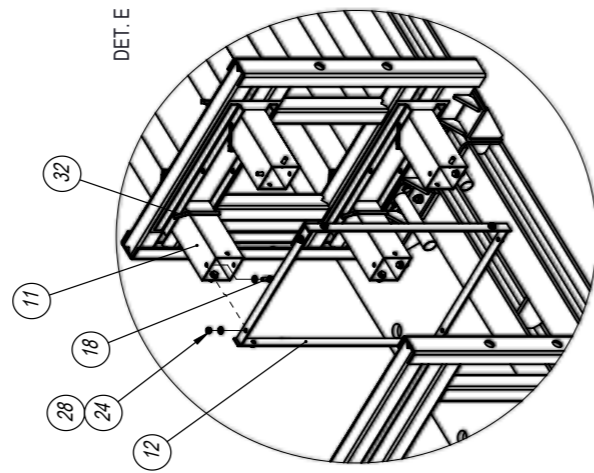


DET. A



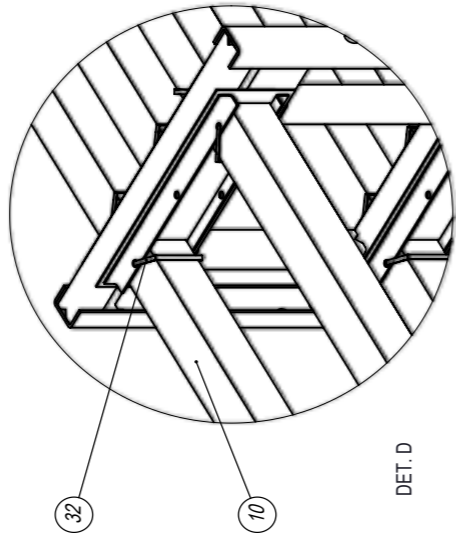
DET. B

BAIA 1° CON N°4 TUBI
DISPOSTI COME DET. E
BAY 1° HAVE N°4 TUB
ARE POSITIONED AS DET. E



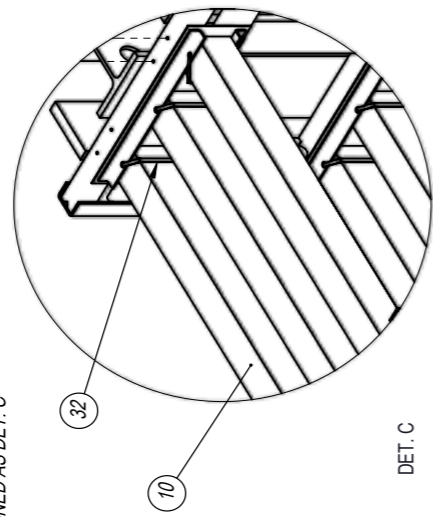
DET. E

BAIA 2° 3° CON N°4 TUBI
DISPOSTI COME DET. D
BAY 2° 3° HAVE N°4 TUBE
ARE POSITIONED AS DET. D

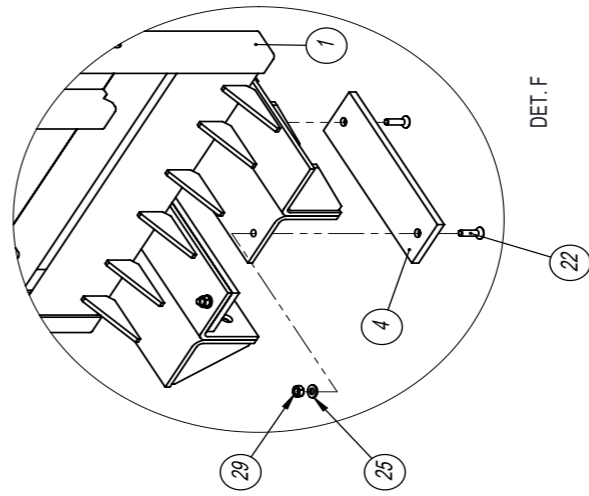


DET. D

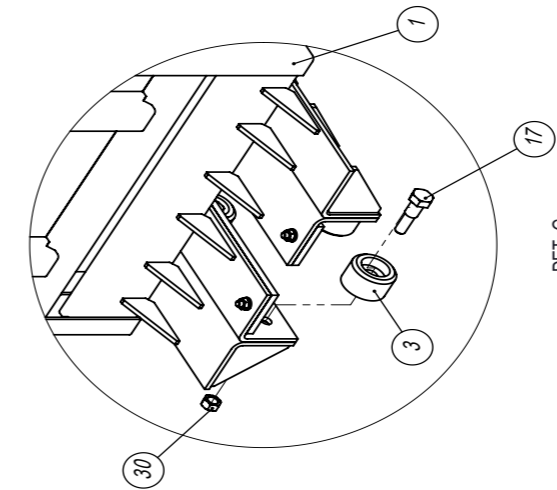
BAIA 4° 5° CON N°6 TUBI
DISPOSTI COME DET. C
BAY 4° 5° HAVE N°6 TUBE
ARE POSITIONED AS DET. C



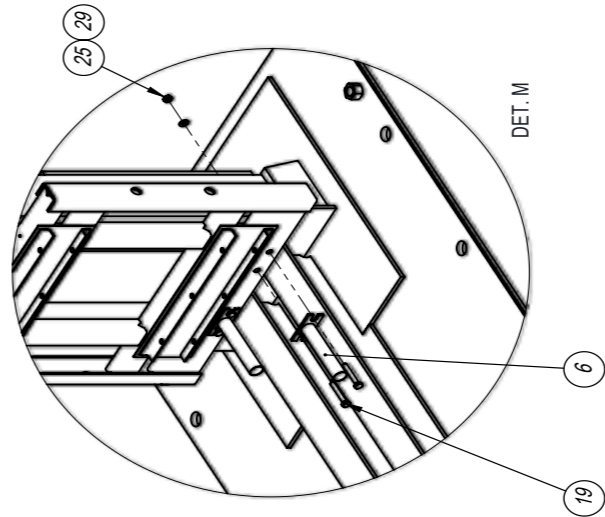
DET. C



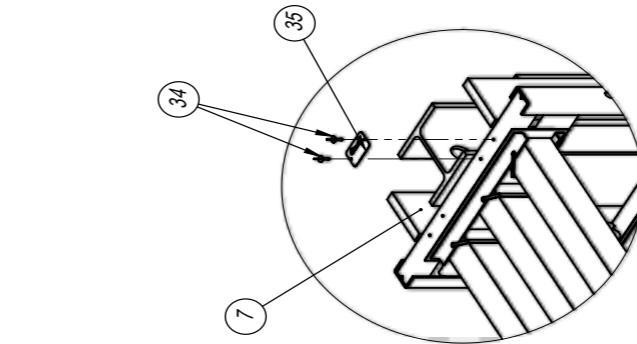
DET. F



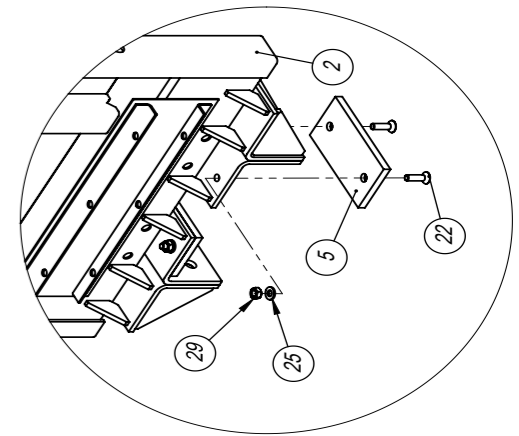
DET. G



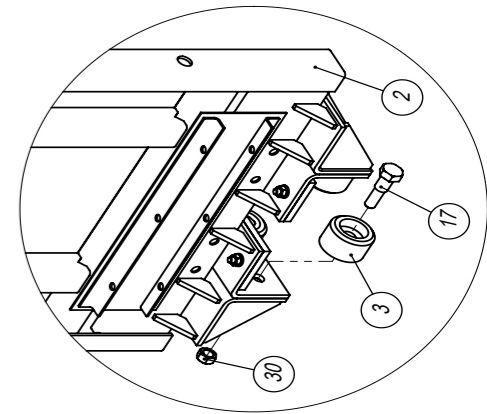
DET. M



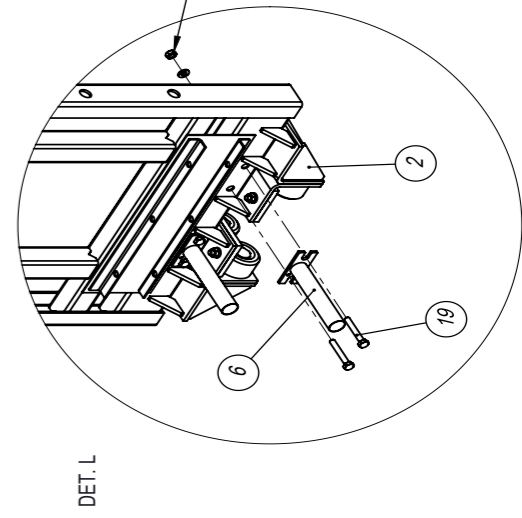
DET. N



DET. H

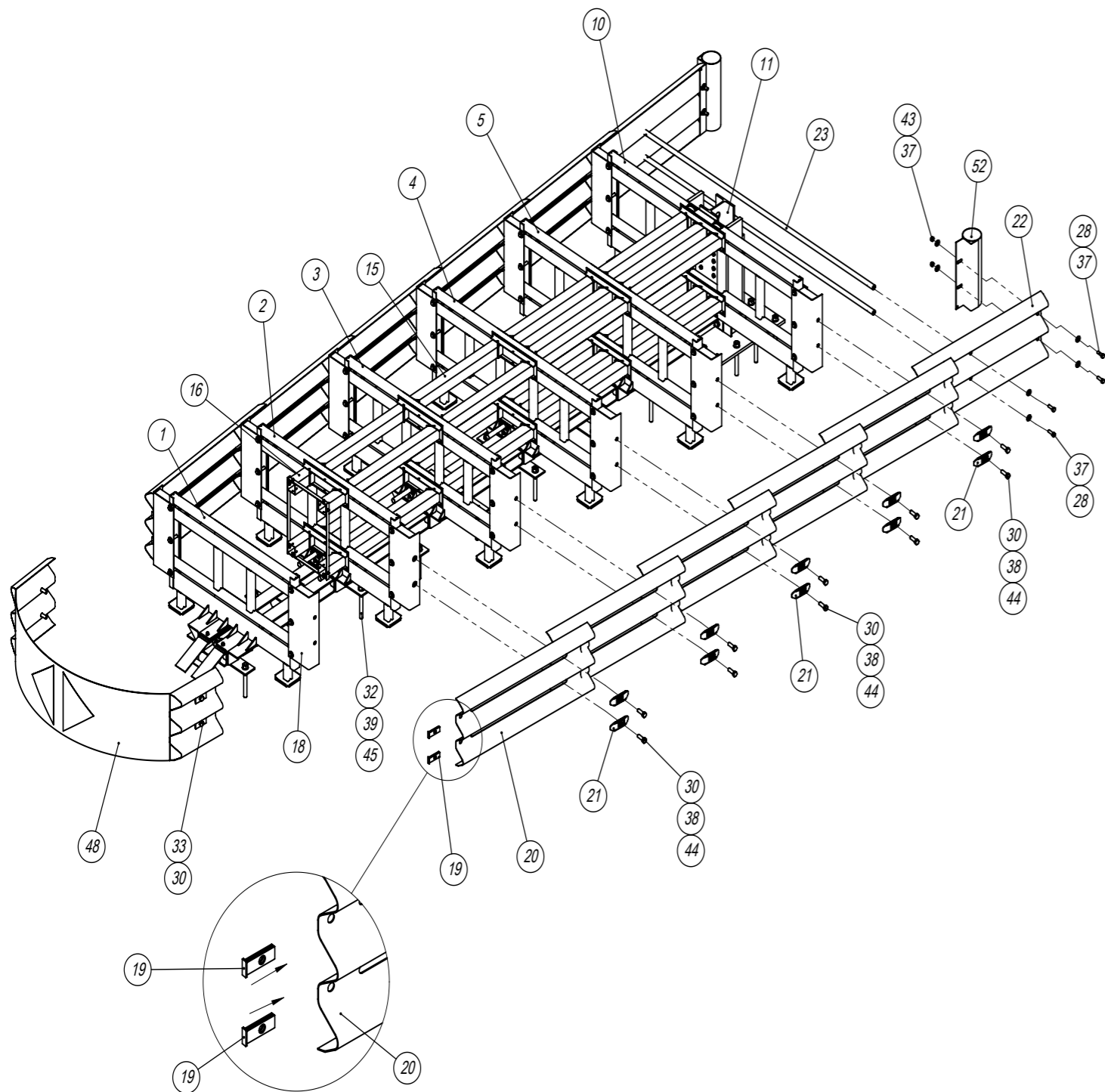


DET. I



DET. L

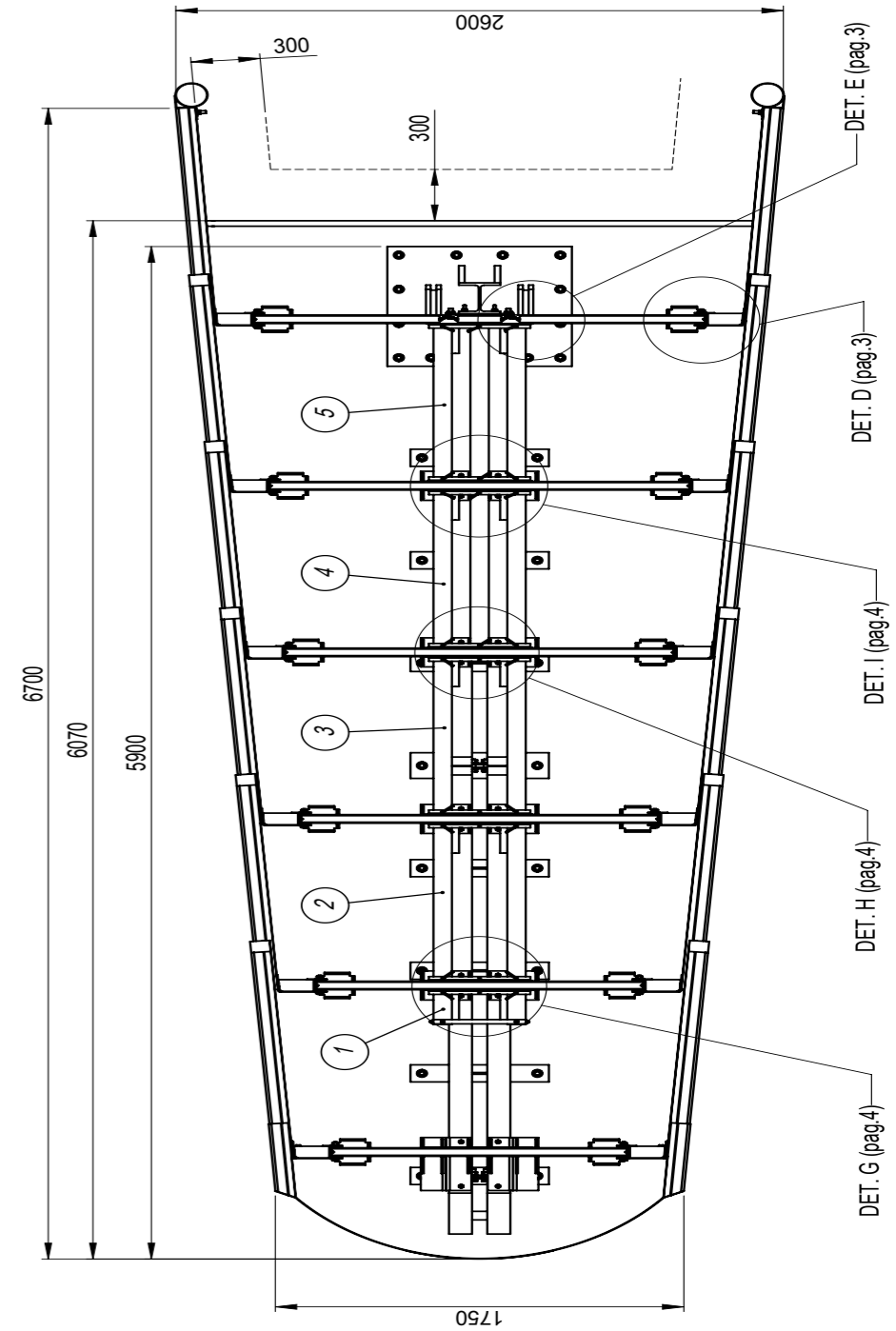
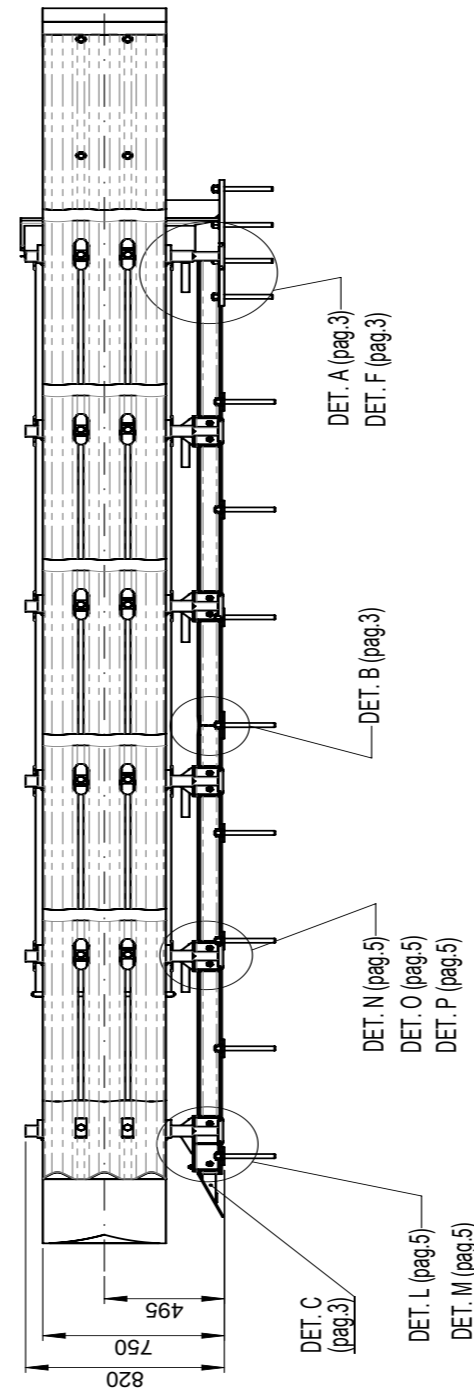
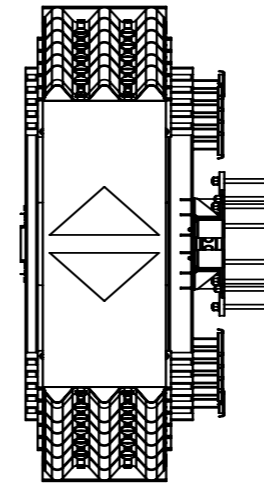
DRAWINGS AND BOM TAU TUBE™ XL110 WITH THREADED BARS

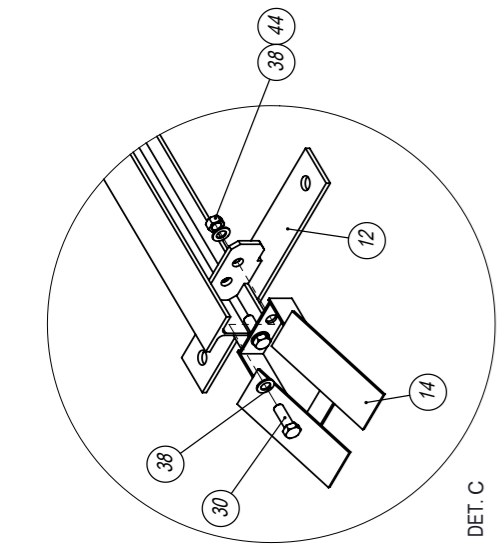


TAU TUBE™ XL110 WITH THREADED BARS

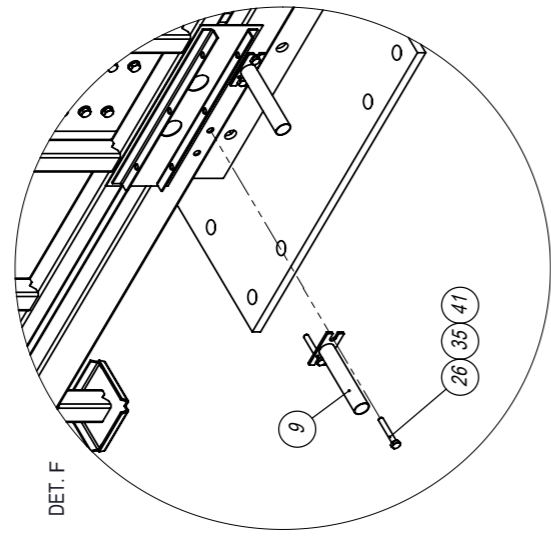
POS.	DESCRIZIONE	DESCRIPTION	kg	CODE	QTY.
1	Supporto anteriore XL	Front support XL	58,0	TUB0074	1
2	1° supporto intermedio XL	1° Intermediate support XL	58,8	TUB0075	1
3	2° supporto intermedio XL	2° Intermediate support XL	64,1	TUB0076	1
4	3° supporto intermedio XL	3° Intermediate support XL	66,6	TUB0077	1
5	4° supporto intermedio XL	4° Intermediate support XL	69,2	TUB0078	1
6	Rotella per carrello	Small wheel	1,0	TUB0025	20
7	Pannello anteriore	Front panel	0,7	TUB0038	2
8	Pannello	Panel	0,4	TUB0027	8
9	Ammortizzatore	Shock absorber	0,3	TUB0042	10
10	Supporto posteriore XL	Last support XL	65,7	TUB0079	1
11	Gruppo posteriore	Compact backstop	208,5	TUB0080	1
12	Guida anteriore	Front rail	124,4	TUB0031	1
13	Guida posteriore	Rear rail	128,3	TUB0032	1
14	Terminale per guida	Terminal for rail	3,3	TUB0047	1
15	Tubo 80x80x2 L=920	Tube 80x80x2 L=920	1,5	TUB0007	20
16	Tubo 80x80x2 L=200	Tube 80x80x2 L=200	0,3	TUB0046	4
17	Supporto tubi	Tubes support	1,1	TUB0045	1
18	Sostegno lama	3-beam panel mounting	7,7	TUB0072	12
19	Spingilama	Push-beam panel	0,2	TUB0081	4
20	Lama L=1250	3-beam panel L=1250	21,0	TUB0009	10
21	Cursore	Slider	0,8	TAU0179	20
22	Lama terminale	Final 3-beam panel	22,5	TAU0020	2
23	Traversa trasversale	Tube crosspiece	3,6	TAU0248	2
24	Vite TE M16 a colletto	Screw HH M16		VCO16-70ZC	20
25	Vite TE M8x20	Screw HH M8x20		VTE08-20ZC	8
26	Vite TE M10x70 parz. filet.	Screw HH M10x70 thread		VTE10-70PZC	20
27	Vite TE M12x60	Screw HH M12x60		VTE12-60ZC	14
28	Vite TE M16x50	Screw HH M16x50		VTE16-50ZC	8
29	Vite TE M16x100 parz. filet.	Screw HH M16x100 thread		VTE16-100PZC	36
30	Vite TE M20x60	Screw HH M20x60		VTE20-60ZC	30

TAU TUBE™ XL110 WITH THREADED BARS					
POS.	DESCRIZIONE	DESCRIPTION	kg	CODE	QTY.
31	Vite TSEI M10x35	Screw FSH M10x35		VTS10-35ZC	20
32	Barra filetata M24x250	Threaded Bar M24x250		B24-250ZC	28
33	Piastrina	Plate	0,3	TUB0041	4
34	Rondella M8	Washer M8		RP08-17ZC	16
35	Rondella M10	Washer M10		RP10-21ZC	40
36	Rondella M12	Washer M12		RP12-24ZC	28
37	Rondella M16 (øi17xøe40)	Washer M16 (øi17xøe40)		RP17-40ZC	84
38	Rondella M20	Washer M20		RP20-37ZC	36
39	Rondella M24	Washer M24		RP24-44ZC	28
40	Dado M8	Nut M8		D08MAZC	8
41	Dado M10	Nut M10		D10MAZC	40
42	Dado M12	Nut M12		D12MAZC	14
43	Dado M16	Nut M16		D16MAZC	60
44	Dado M20	Nut M20		D20MAZC	30
45	Dado M24	Nut M24		D24MAZC	28
46	Fascetta autobloc.	Clamp (7,9x360)		TAUFSKE134	44
47	Pasta chimica	Chemical Paste		MAL-EAN	3
48	Naso	Nose		TN180YE	1
49	Rivetto Al ø4,8x20 testa	AL rivet ø4,8x20 -large		RV4820	4
50	Targhetta identificazione	Identification plate		TAU0114	1
51	Targhetta marchio CE	CE plate		TUB0090	1
52	Tube per lama terminale	Tube for final 3-beam panel	8,0	TAU0025	2

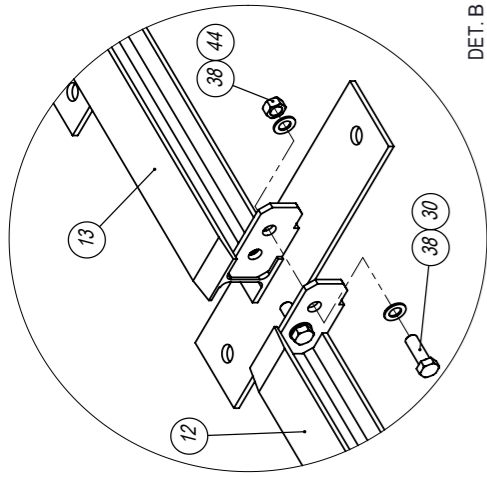




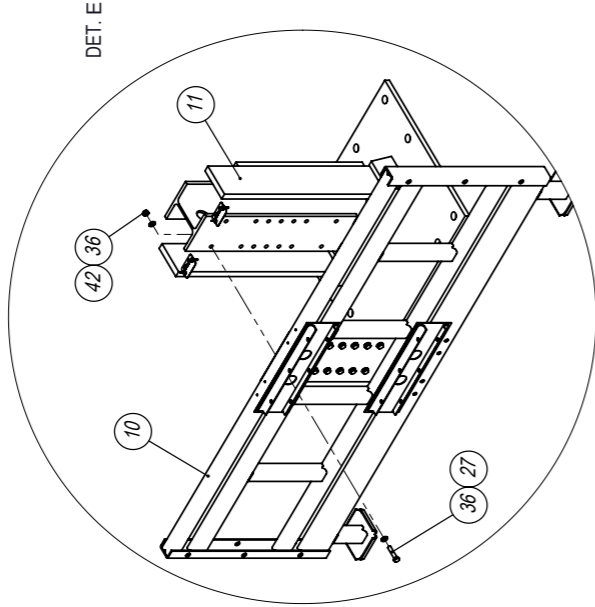
DET. C



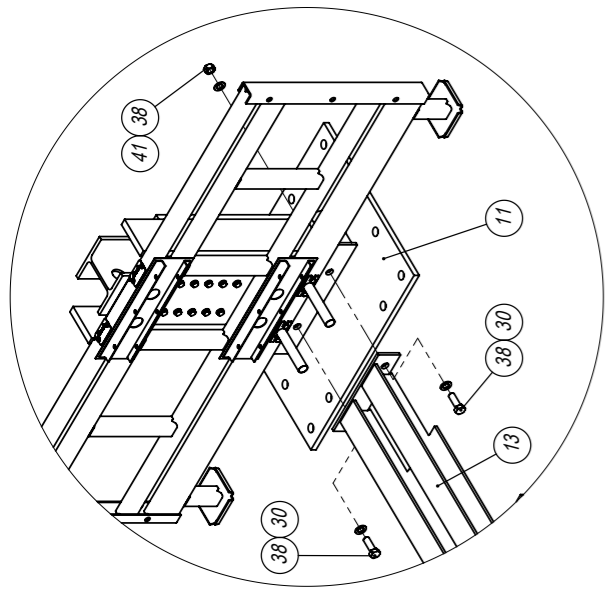
DET. F



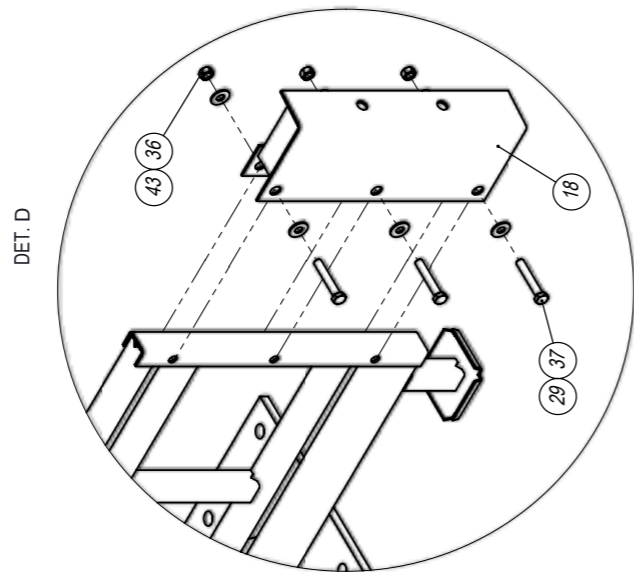
DET. B



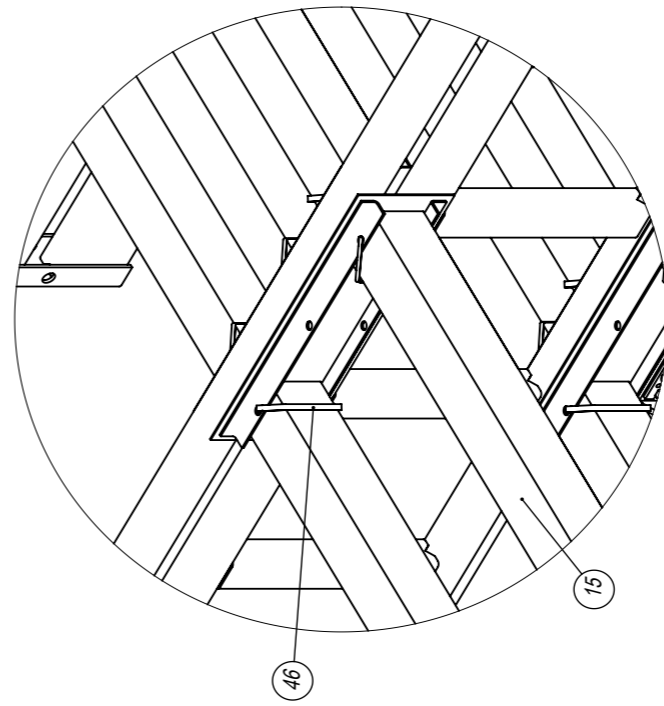
DET. E



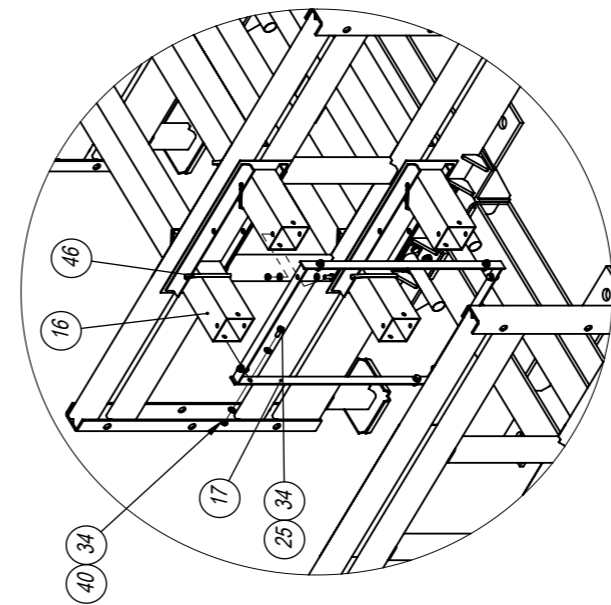
DET. A



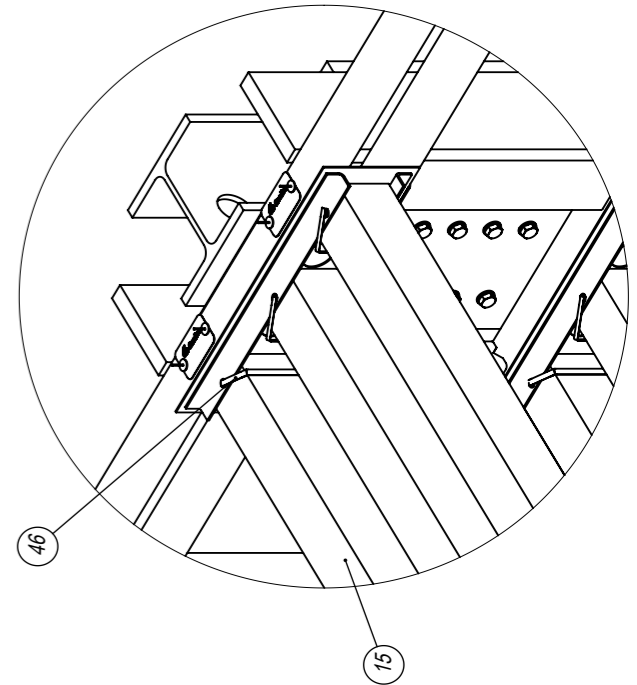
DET. D



DET. H



DET. G



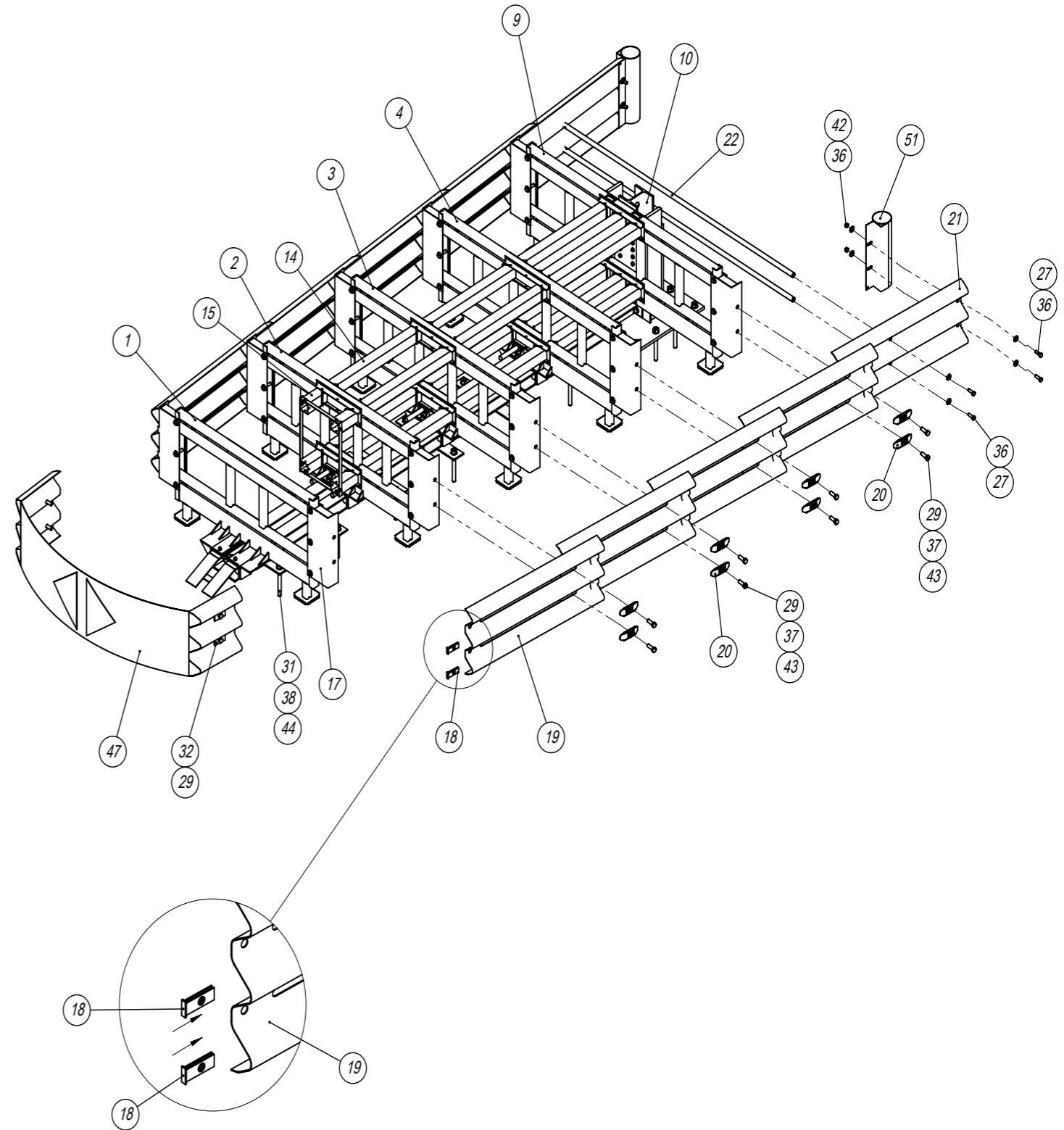
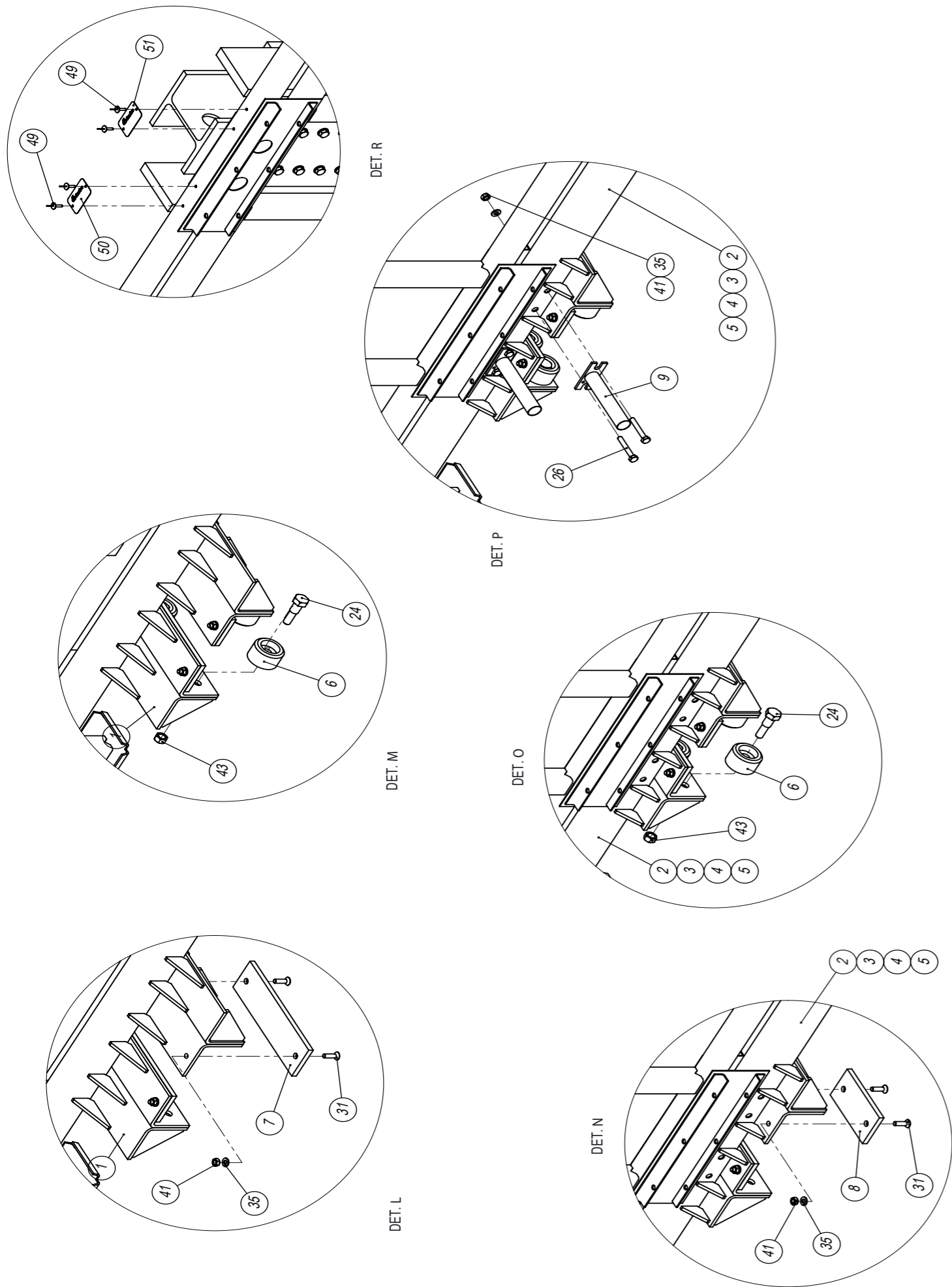
DET. I

BAIA 1° CON N°4 TUBI
DISPOSTI COME DET. F
BAY 1° HAVE N°4 TUB
ARE POSITIONED AS DET. F

BAIA 2° 3° CON N°4 TUBI
DISPOSTI COME DET. G
BAY 2° 3° HAVE N°4 TUBE
ARE POSITIONED AS DET. G

BAIA 4° 5° CON N°6 TUBI
DISPOSTI COME DET. H
BAY 4° 5° HAVE N°6 TUBE
ARE POSITIONED AS DET. H

DRAWINGS AND BOM TAU TUBE™ XL100 WITH THREADED BARS

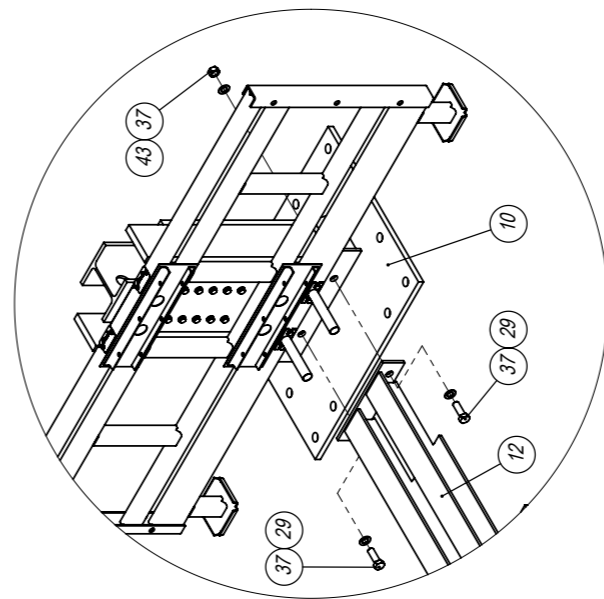
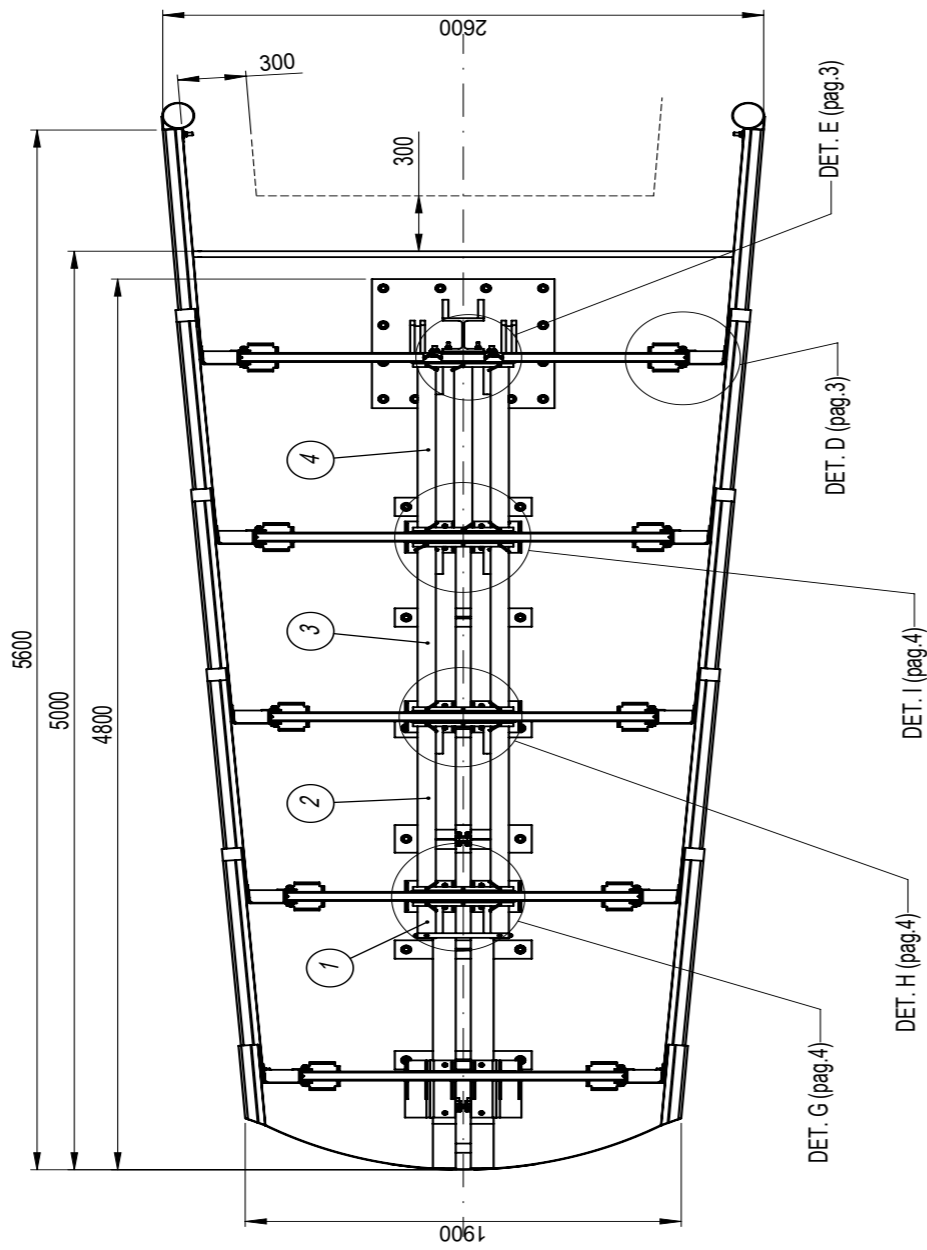
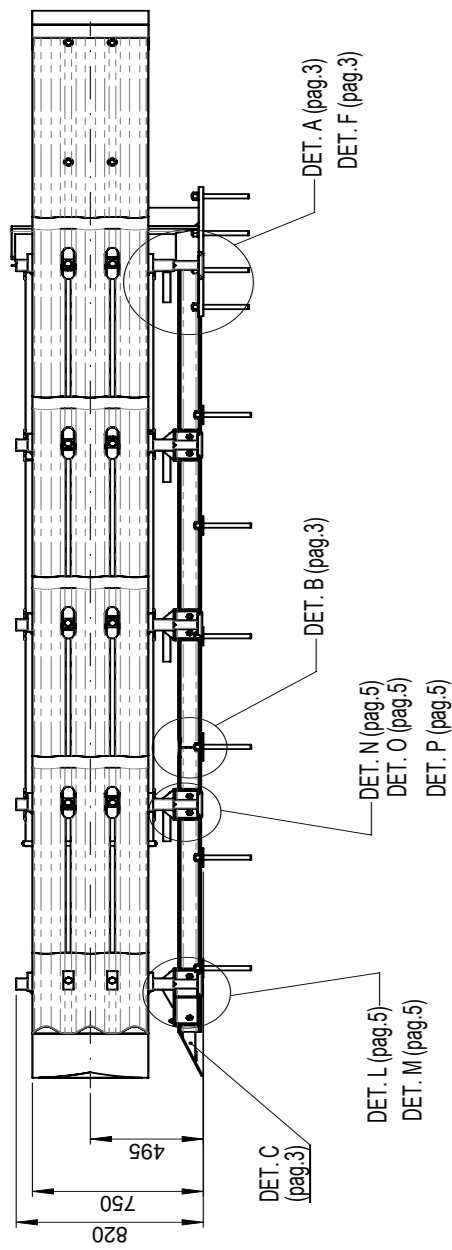
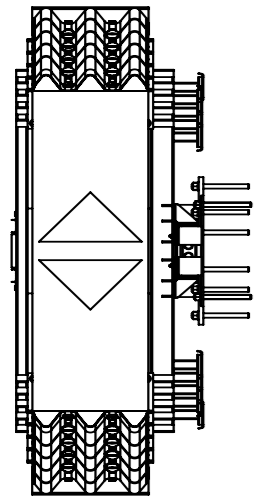


TAU TUBE™ XL100 WITH THREADED BARS

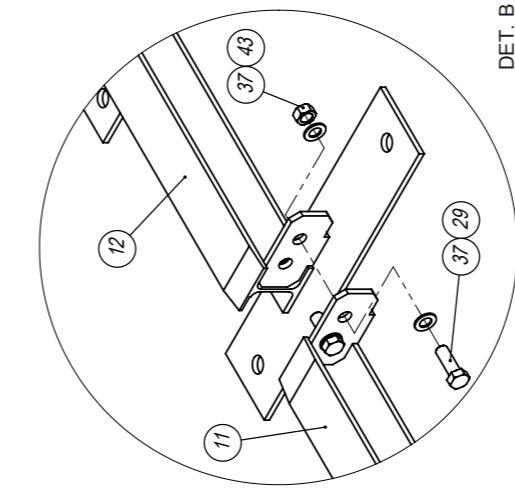
POS.	DESCRIZIONE	DESCRIPTION	kg	CODE	QTY.
1	Supporto anteriore XL 100	Front support XL	60,6	TUB0082	1
2	2° supporto intermedio XL	2° Intermediate support XL	64,1	TUB0076	1
3	3° supporto intermedio XL	3° Intermediate support XL	66,6	TUB0077	1
4	4° supporto intermedio XL	4° Intermediate support XL	69,2	TUB0078	1
5	Rotella per carrello	Small wheel	1,0	TUB0025	16
6	Pannello anteriore	Front panel	0,7	TUB0038	2
7	Pannello	Panel	0,4	TUB0027	6
8	Ammortizzatore	Shock absorber	0,3	TUB0042	8
9	Supporto posteriore XL	Last support XL	65,7	TUB0079	1
10	Gruppo posteriore	Compact backstop	208,5	TUB0080	1
11	Guida anteriore XL 100	Front rail XL 100	76,0	TUB0048	1
12	Guida posteriore	Rear rail	128,3	TUB0032	1
13	Terminale per guida	Terminal for rail	3,3	TUB0047	1
14	Tube 80x80x2 L=920	Tube 80x80x2 L=920	1,5	TUB0007	14
15	Tube 80x80x2 L=200	Tube 80x80x2 L=200	0,3	TUB0046	4
16	Supporto tubi	Tubes support	1,1	TUB0045	1
17	Sostegno lama	3-beam panel mounting	7,7	TUB0072	10
18	Spingilama	Push-beam panel	0,2	TUB0081	4
19	Lama L=1250	3-beam panel L=1250	21,0	TUB0009	8
20	Cursore	Slider	0,8	TAU0179	16
21	Lama terminale	Final 3-beam panel	22,5	TAU0020	2
22	Traversa trasversale	Tube crosspiece	3,6	TAU0248	2
23	Vite TE M16 a colletto	Screw HH M16		VCO16-70ZC	16
24	Vite TE M8x20	Screw HH M8x20		VTE08-20ZC	8
25	Vite TE M10x70 parz. filet.	Screw HH M10x70 thread		VTE10-70PZC	16
26	Vite TE M12x60	Screw HH M12x60		VTE12-60ZC	14
27	Vite TE M16x50	Screw HH M16x50		VTE16-50ZC	8
28	Vite TE M16x100 parz. filet.	Screw HH M16x100 thread		VTE16-100PZC	30
29	Vite TE M20x60	Screw HH M20x60		VTE20-60ZC	26
30	Vite TSEI M10x35	Screw FSH M10x35		VTS10-35ZC	16

TAU TUBE™ XL100 WITH THREADED BARS

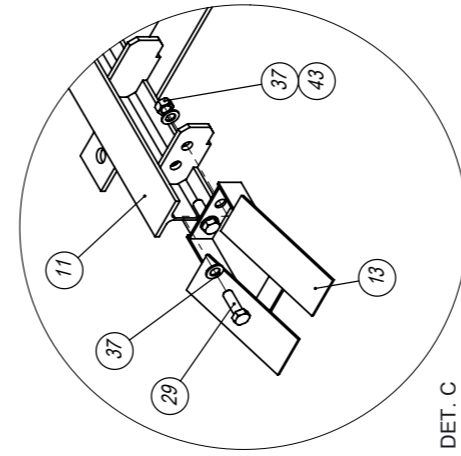
POS.	DESCRIZIONE	DESCRIPTION	kg	CODE	QTY.
31	Barra filetata M24x250	Threaded Bar M24x250		B24-250ZC	24
32	Piastrina	Plate	0,3	TUB0041	4
33	Rondella M8	Washer M8		RP08-17ZC	16
34	Rondella M10	Washer M10		RP10-21ZC	32
35	Rondella M12	Washer M12		RP12-24ZC	28
36	Rondella M16 (ø17xø40)	Washer M16 (ø17xø40)		RP17-40ZC	72
37	Rondella M20	Washer M20		RP20-37ZC	32
38	Rondella M24	Washer M24		RP24-44ZC	24
39	Dado M8	Nut M8		D08MAZC	8
40	Dado M10	Nut M10		D10MAZC	32
41	Dado M12	Nut M12		D12MAZC	14
42	Dado M16	Nut M16		D16MAZC	50
43	Dado M20	Nut M20		D20MAZC	26
44	Dado M24	Nut M24		D24MAZC	24
45	Fascetta autobloc. (7,9x360)	Clamp (7,9x360)		TAUFSKE134	32
46	Pasta chimica	Chemical Paste		MAL-EAN	3
47	Naso	Nose		TN180YE	1
48	Rivetto Al ø4,8x20 testa larga	AL rivet ø4,8x20 -large		RV4820	4
49	Targhetta identificazione	Identification plate		TAU0114	1
50	Targhetta marchio CE	CE plate		TUB0090	1
51	Tube per lama terminale	Tube for final 3-beam panel	8,0	TAU0025	2



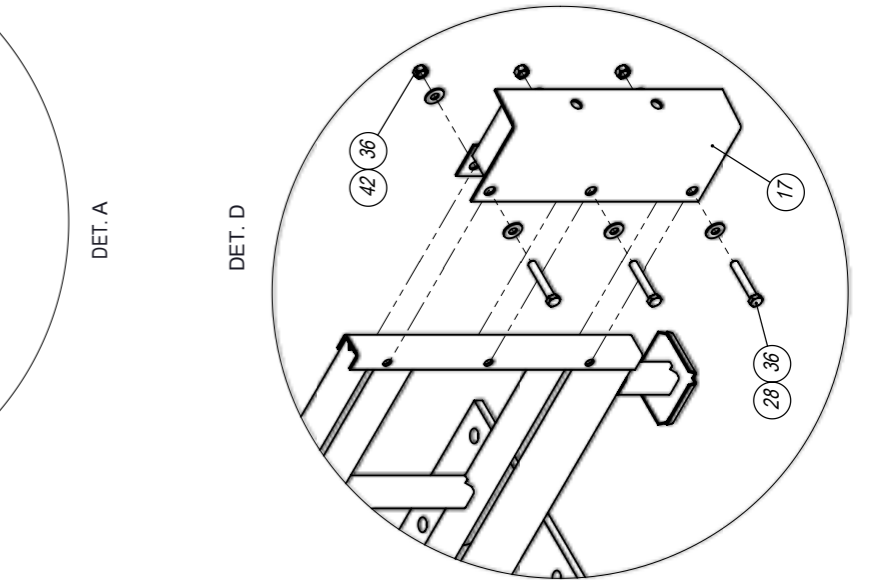
DET. A



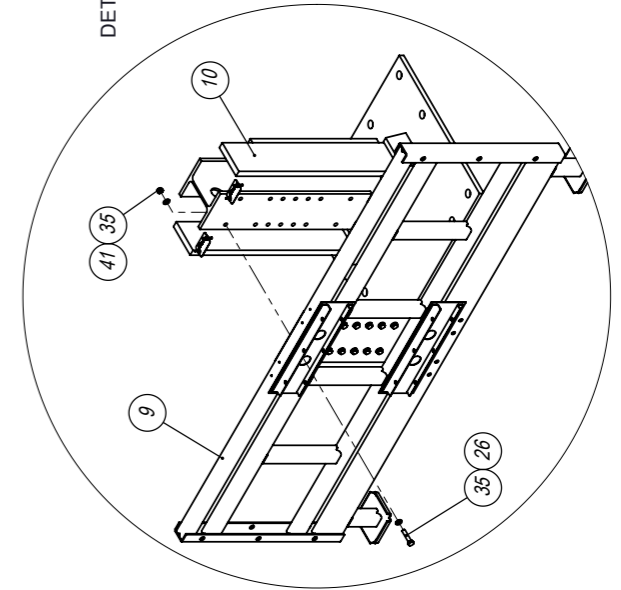
DET. B



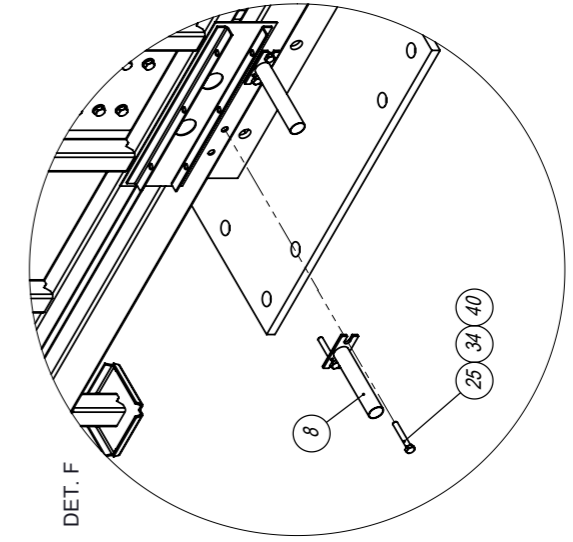
DET. C



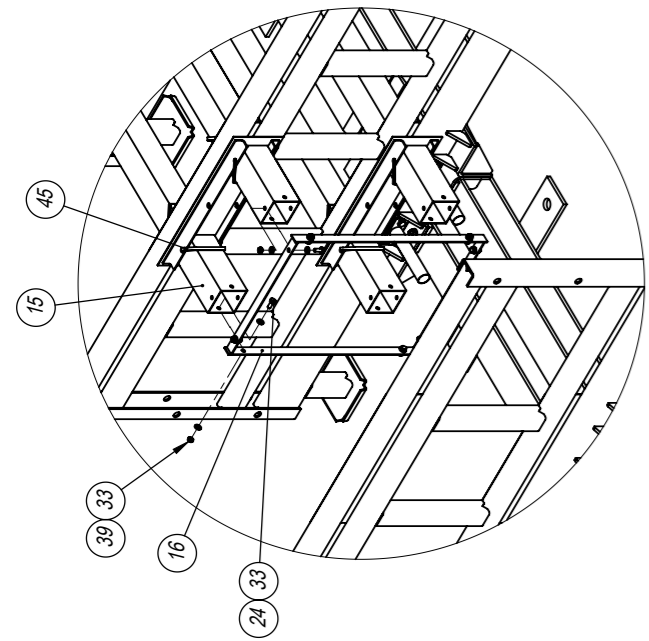
DET. D



DET. E

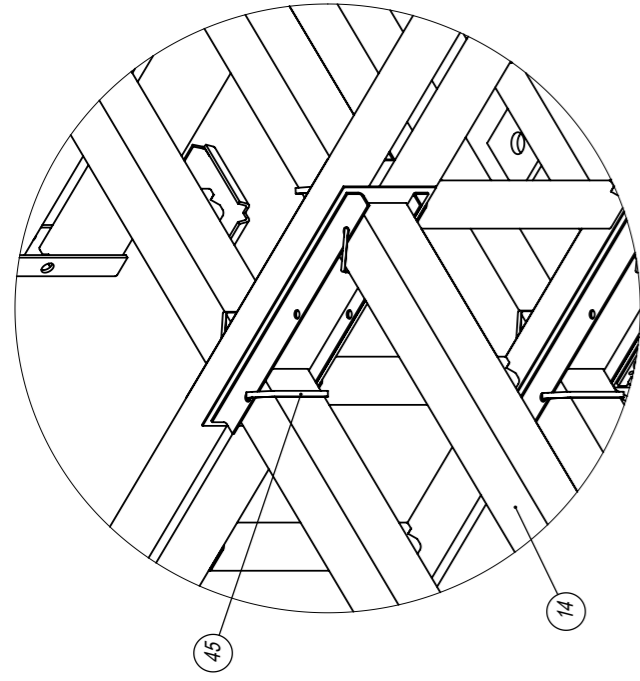


DET. F



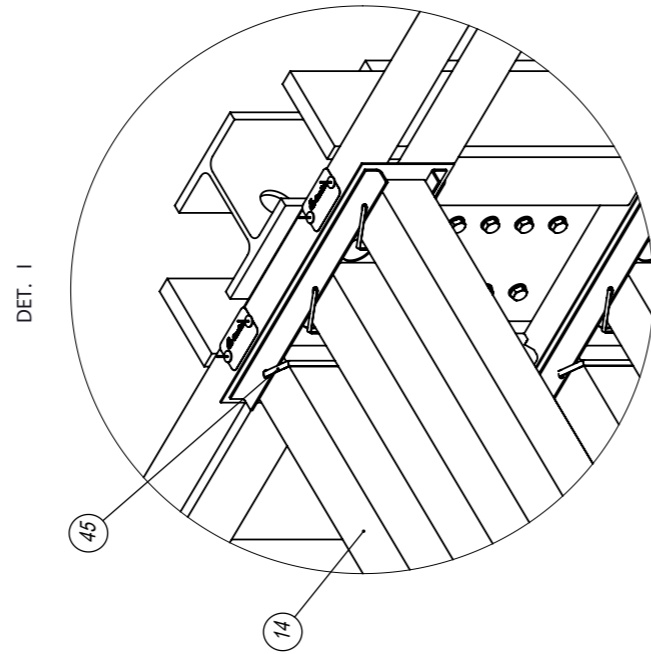
DET. G

BAIA 1° CON N°4 TUBI
DISPOSTI COME DET. G
BAY 1° HAVE N°4 TUB
ARE POSITIONED AS DET. G



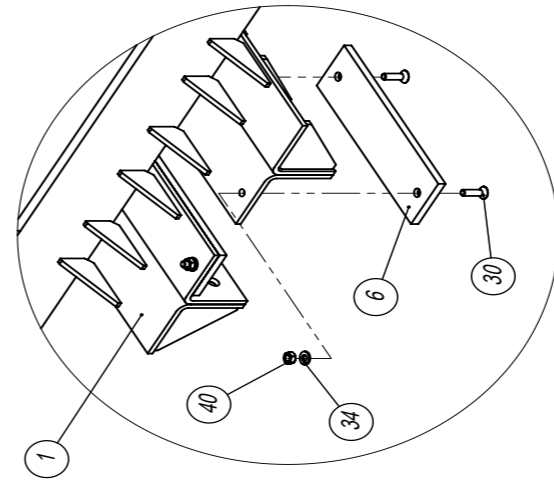
DET. H

BAIA 2° 3° CON N°4 TUBI
DISPOSTI COME DET. H
BAY 2° 3° HAVE N°4 TUBE
ARE POSITIONED AS DET. H

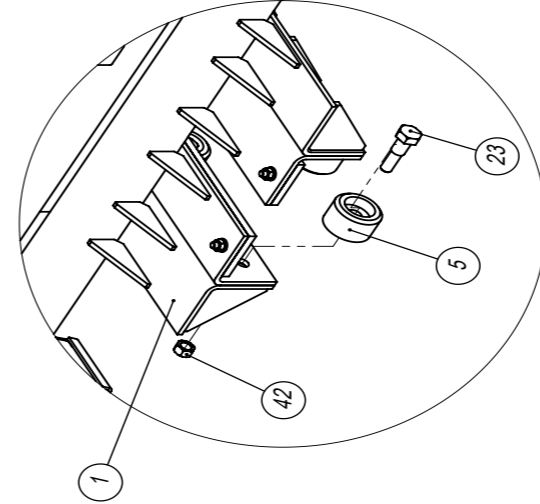


DET. I

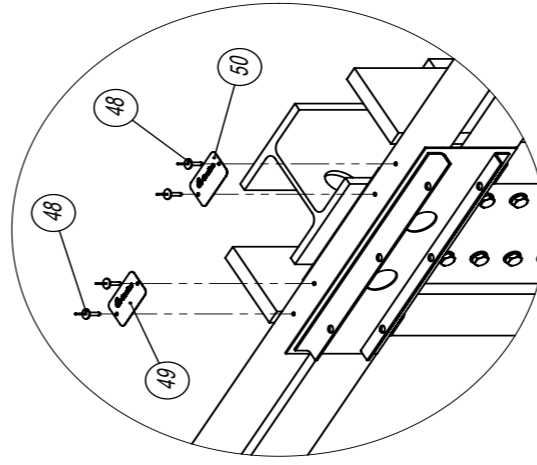
BAIA 4° CON N°6 TUBI
DISPOSTI COME DET. I
BAY 4° HAVE N°6 TUBE
ARE POSITIONED AS DET. I



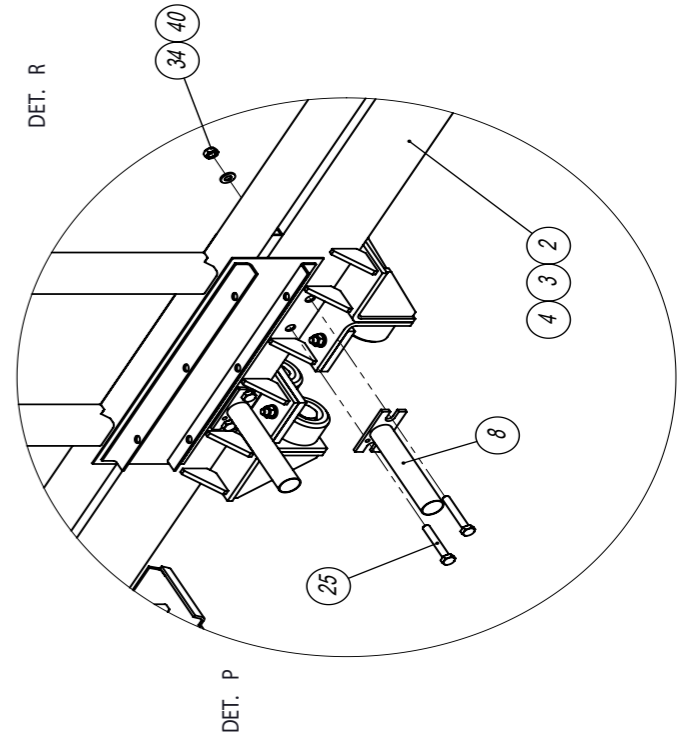
DET. L



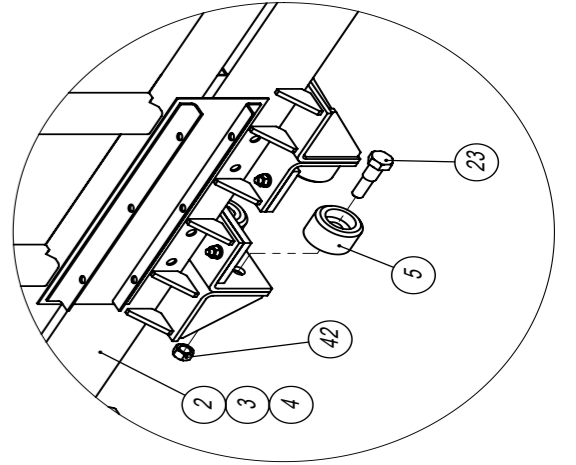
DET. M



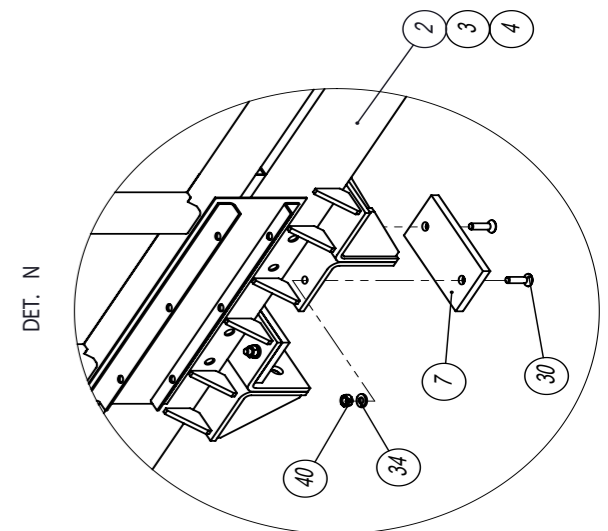
DET. R



DET. P

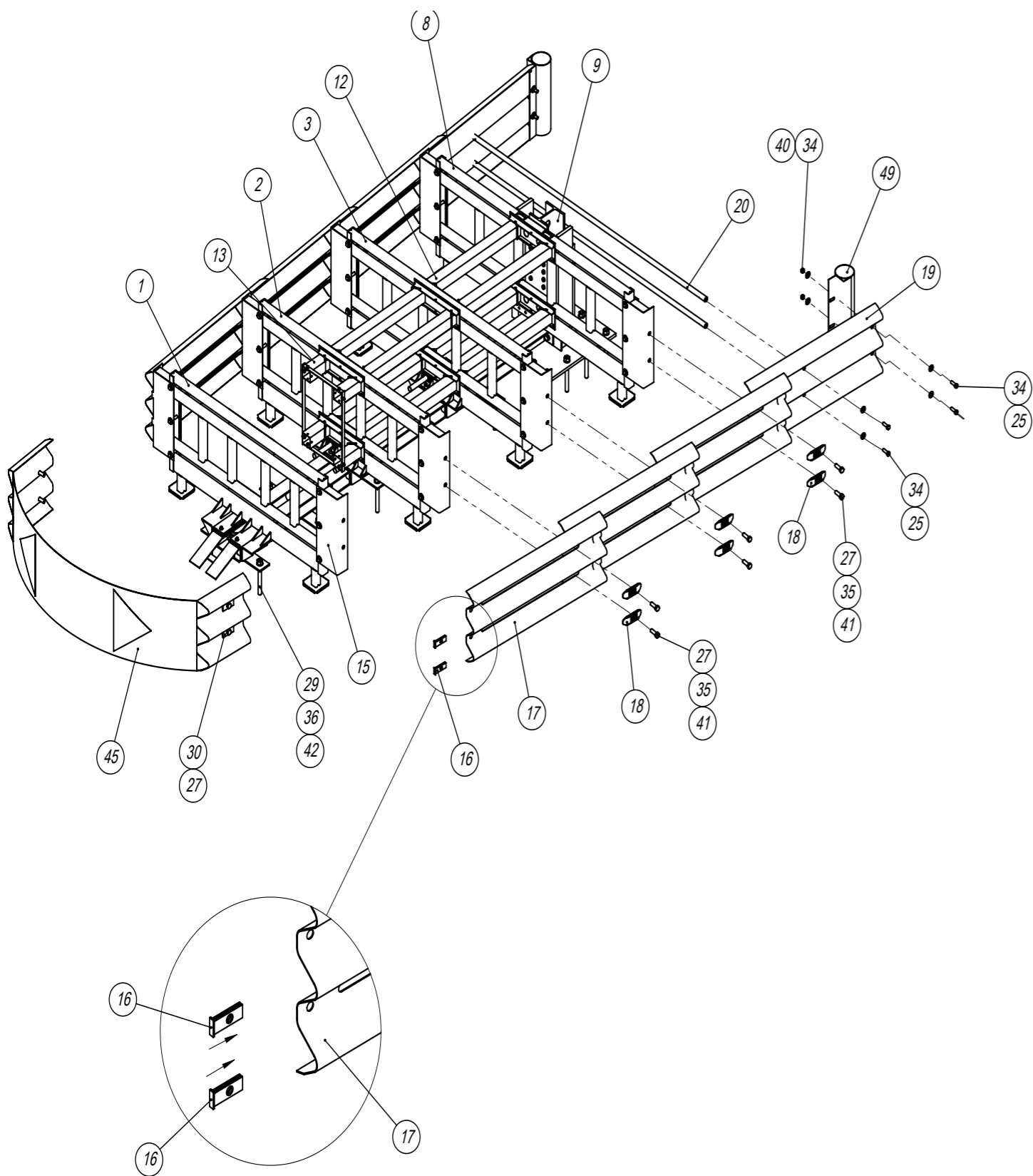


DET. O



DET. N

DRAWINGS AND BOM TAU TUBE™ XL80 WITH THREADED BARS

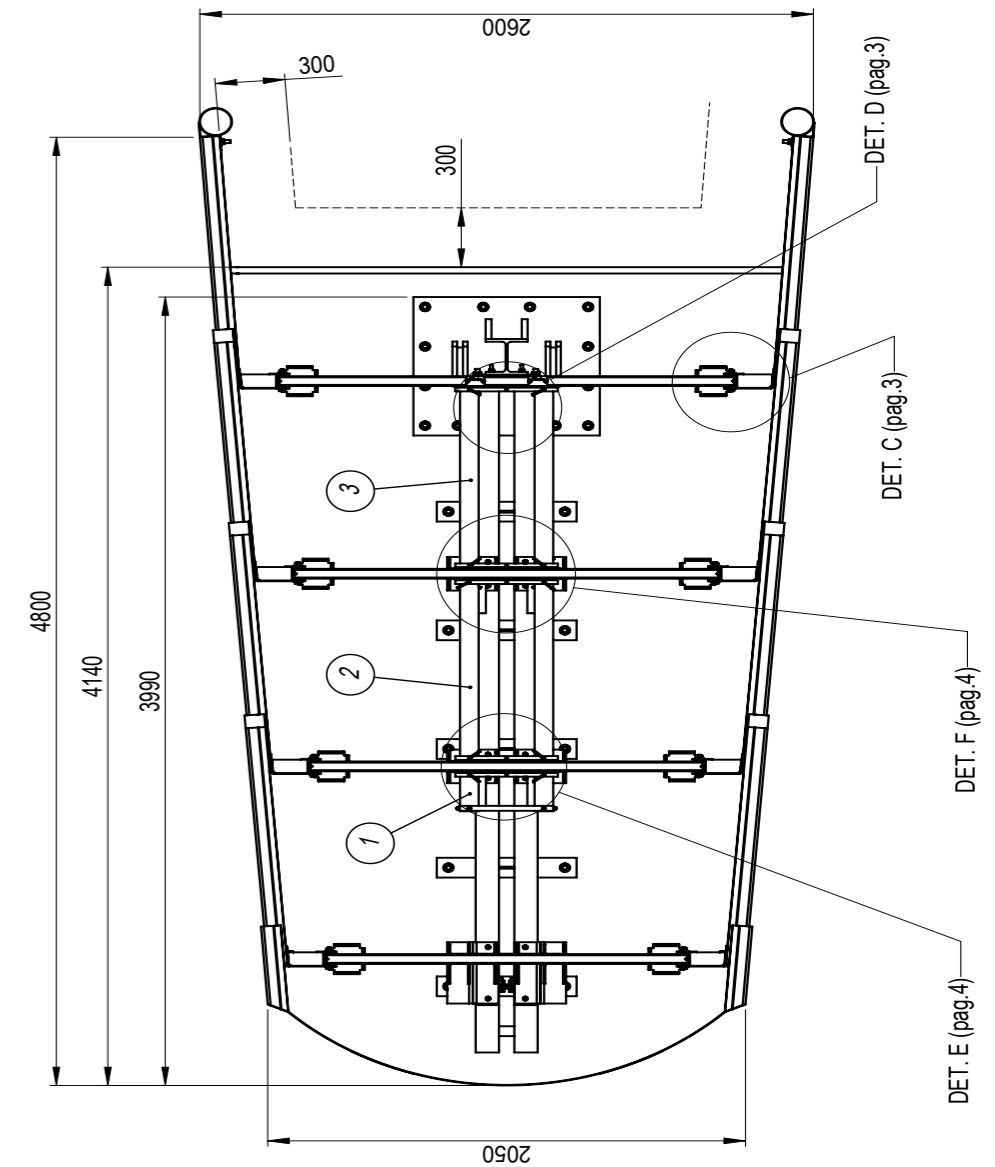
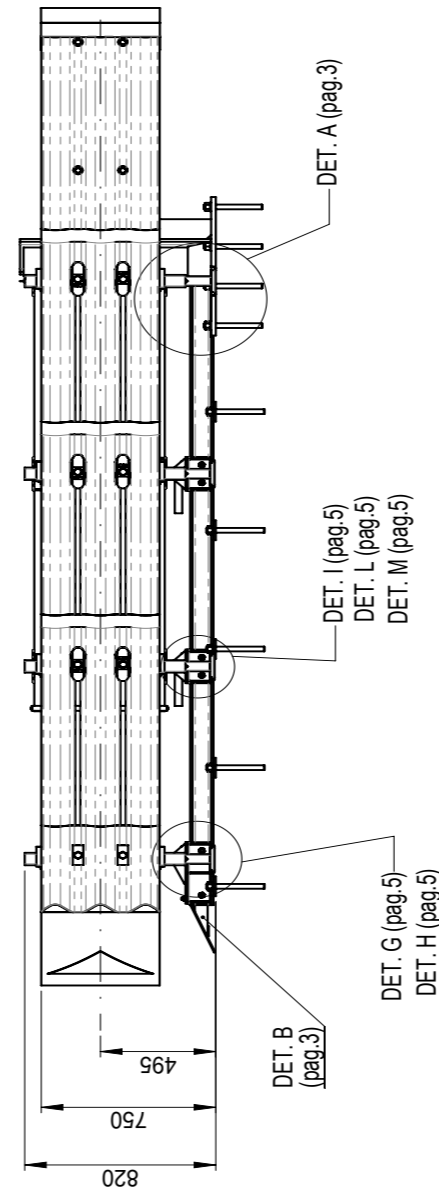
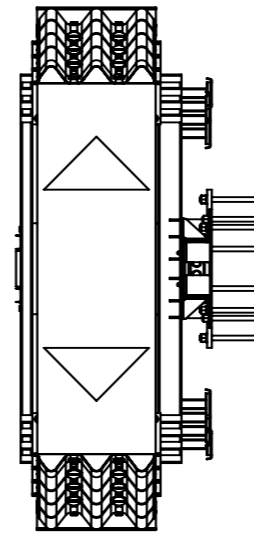


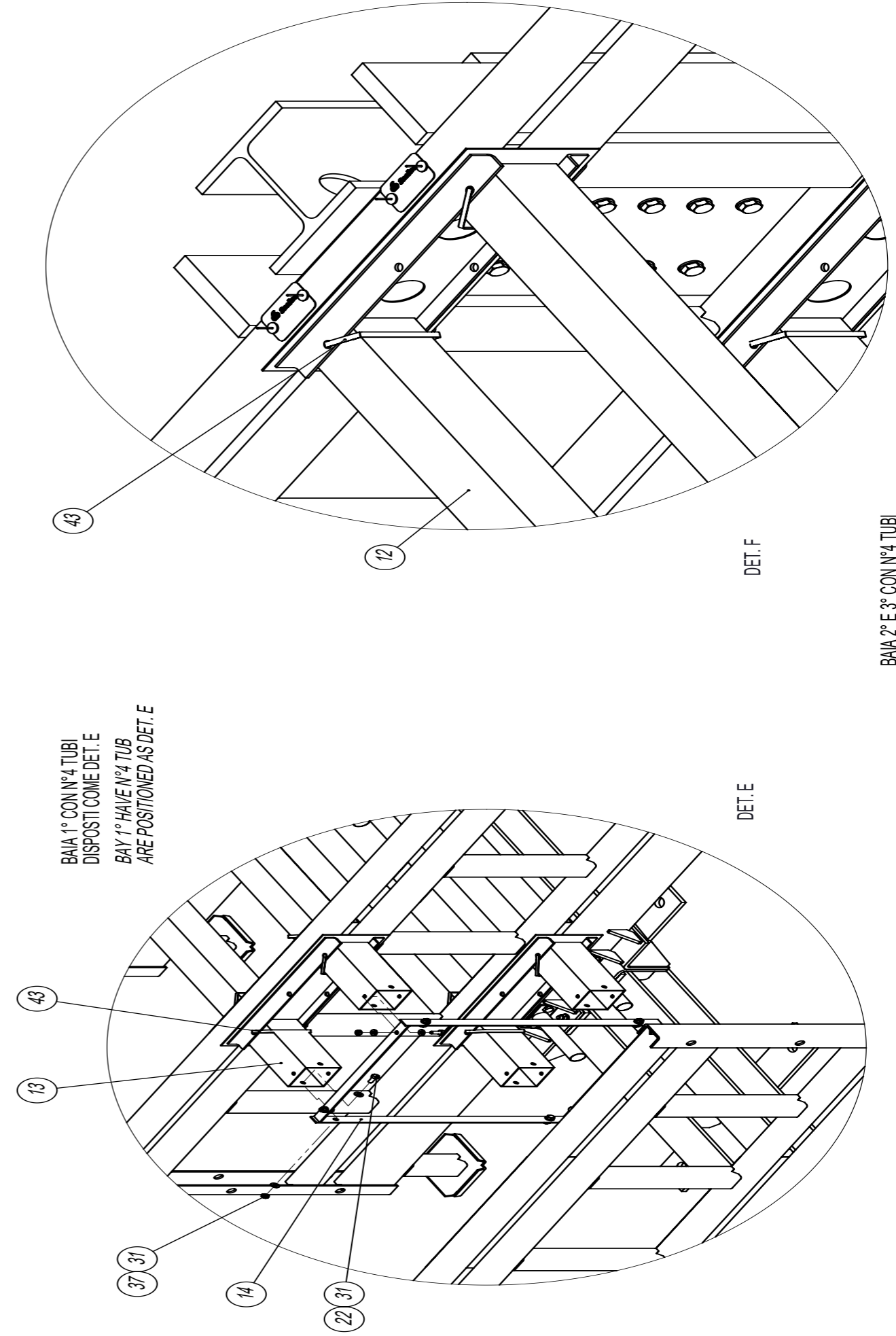
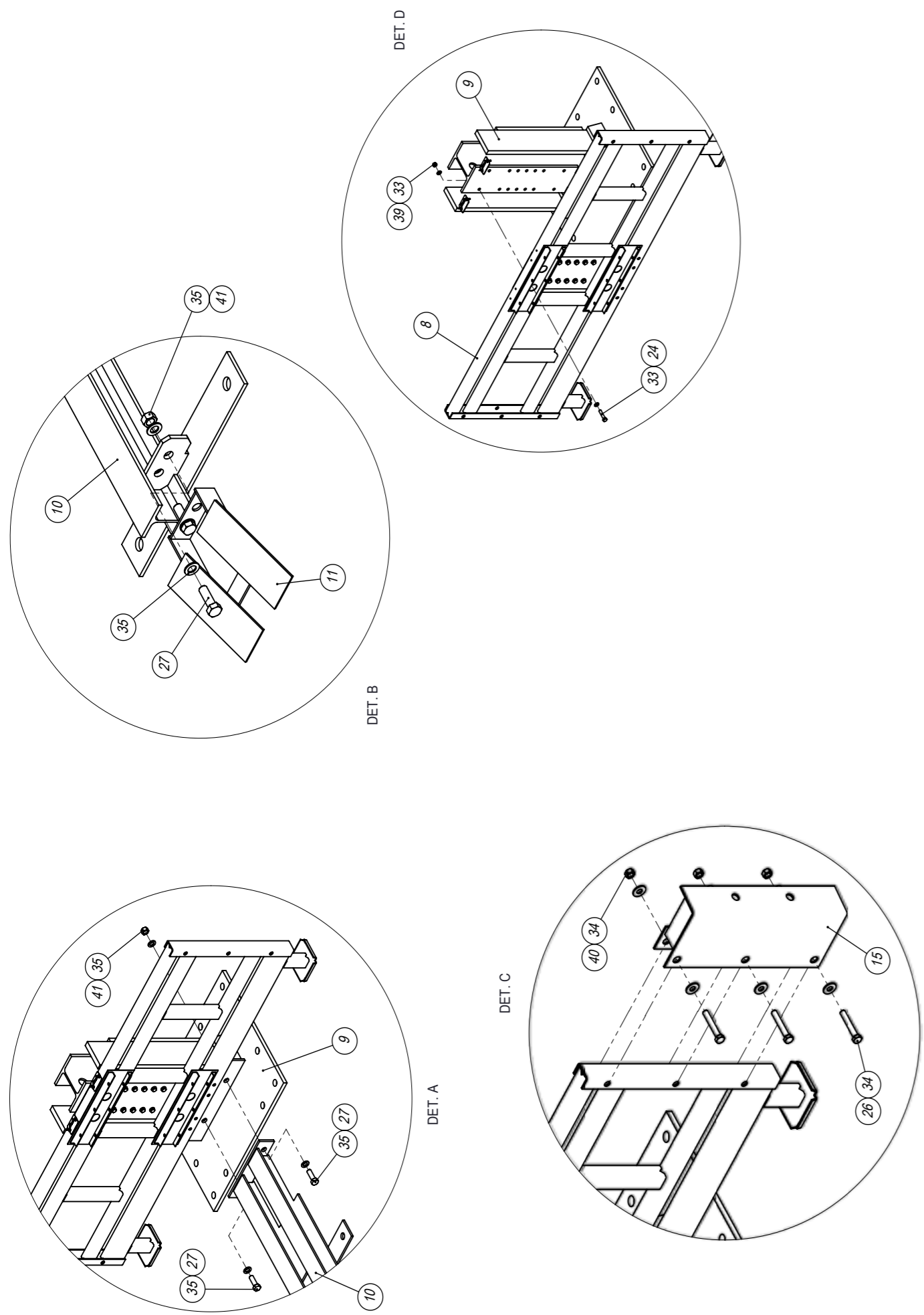
TAU TUBE™ XL80 CON BARRE FILETTATE

POS.	DESCRIZIONE	DESCRIPTION	kg	CODE	QTY.
1	Supporto anteriore XL 80	Front support XL 80	65,8	TUB0083	1
2	3° supporto intermedio XL	3° Intermediate support XL	66,6	TUB0077	1
3	4° supporto intermedio XL	4° Intermediate support XL	69,2	TUB0078	1
4	Rotella per carrello	Small wheel	1,0	TUB0025	12
5	Pannello anteriore	Front panel	0,7	TUB0038	2
6	Pannello	Panel	0,3	TUB0027	4
7	Ammortizzatore	Shock absorber	0,3	TUB0042	4
8	Supporto posteriore XL	Last support XL	65,7	TUB0079	1
9	Gruppo posteriore	Compact backstop	208,5	TUB0080	1
10	Guida anteriore XL 80	Front rail XL 80	153,5	TUB0049	1
11	Terminale per guida	Terminal for rail	3,3	TUB0047	1
12	Tubo 80x80x2 L=920	Tube 80x80x2 L=920	1,5	TUB0007	8
13	Tubo 80x80x2 L=200	Tube 80x80x2 L=200	0,3	TUB0046	4
14	Supporto tubi	Tubes support	1,1	TUB0045	1
15	Sostegno lama	3-beam panel mounting	7,7	TUB0072	8
16	Spingilama	Push-beam panel	0,2	TUB0081	4
17	Lama L=1250	3-beam panel L=1250	21,0	TUB0009	6
18	Cursore	Slider	0,8	TAU0179	12
19	Lama terminale	Final 3-beam panel	22,5	TAU0020	2
20	Traversa trasversale	Tube crosspiece	3,6	TAU0248	2
21	Vite TE M16 a colletto	Screw HH M16		VCO16-70ZC	12
22	Vite TE M8x20	Screw HH M8x20		VTE08-20ZC	8
23	Vite TE M10x70 parz. filet.	Screw HH M10x70 thread		VTE10-70PZC	8
24	Vite TE M12x60	Screw HH M12x60		VTE12-60ZC	14
25	Vite TE M16x50	Screw HH M16x50		VTE16-50ZC	8
26	Vite TE M16x100 parz. filet.	Screw HH M16x100 thread		VTE16-100PZC	24
27	Vite TE M20x60	Screw HH M20x60		VTE20-60ZC	20
28	Vite TSEI M10x35	Screw FSH M10x35		VTS10-35ZC	12
29	Barra filettata M24x250	Threaded Bar M24x250		B24-250ZC	22
30	Piastrina	Plate	0,3	TUB0041	4

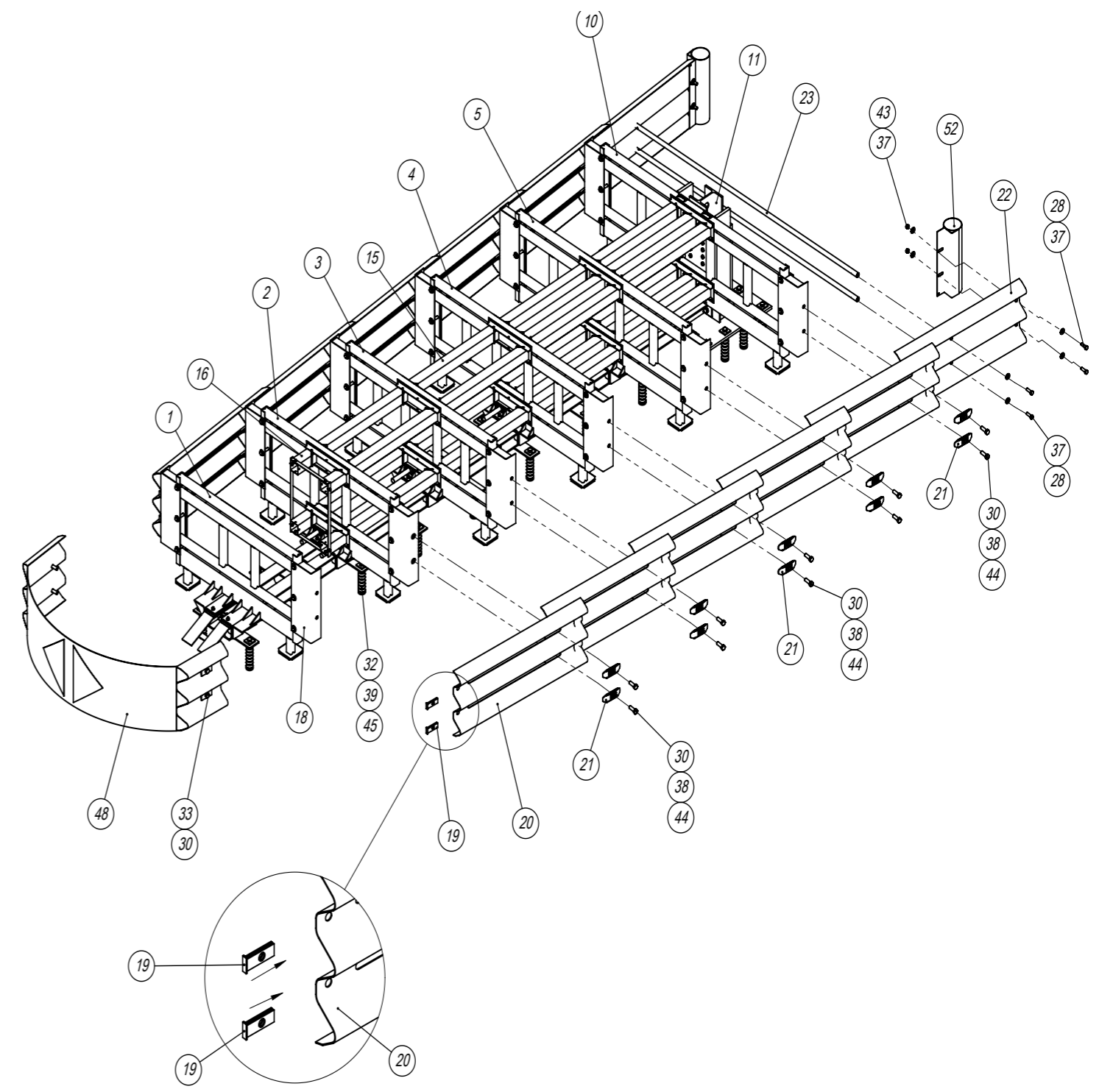
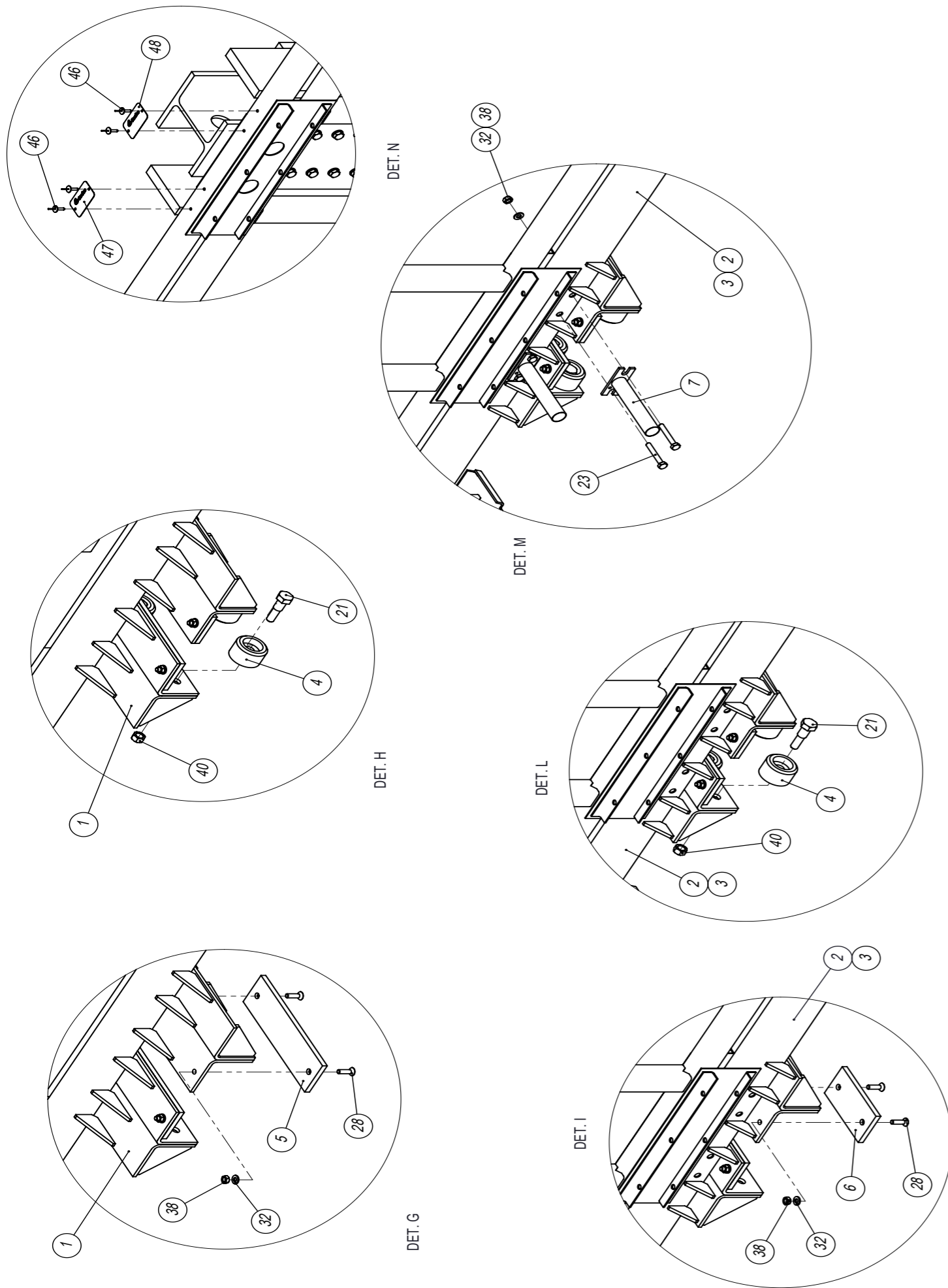
TAU TUBE™ XL80 WITH THREADED BARS

POS.	DESCRIZIONE	DESCRIPTION	kg	CODE	QTY.
31	Rondella M8	Washer M8		RP08-17ZC	16
32	Rondella M10	Washer M10		RP10-21ZC	20
33	Rondella M12	Washer M12		RP12-24ZC	28
34	Rondella M16 (øi17xøe40)	Washer M16 (øi17xøe40)		RP17-40ZC	60
35	Rondella M20	Washer M20		RP20-37ZC	24
36	Rondella M24	Washer M24		RP24-44ZC	22
37	Dado M8	Nut M8		D08MAZC	8
38	Dado M10	Nut M10		D10MAZC	20
39	Dado M12	Nut M12		D12MAZC	14
40	Dado M16	Nut M16		D16MAZC	40
41	Dado M20	Nut M20		D20MAZC	20
42	Dado M24	Nut M24		D24MAZC	22
43	Fascetta autobloc.	Clamp (7,9x360)		TAUFSKE134	20
44	Pasta chimica	Chemical Paste		MAL-EAN	3
45	Naso	Nose		TN220YE	1
46	Rivetto Al ø4,8x20 testa	AL rivet ø4,8x20 -large		RV4820	4
47	Targhetta identificazione	Identification plate		TAU0114	1
48	Targhetta marchio CE	CE plate		TUB0090	1
49	Tube per lama terminale	Tube for final 3-beam panel	8,0	TAU0025	2





DRAWINGS AND BOM TAU TUBE™ XL110 WITH FIXING BARS

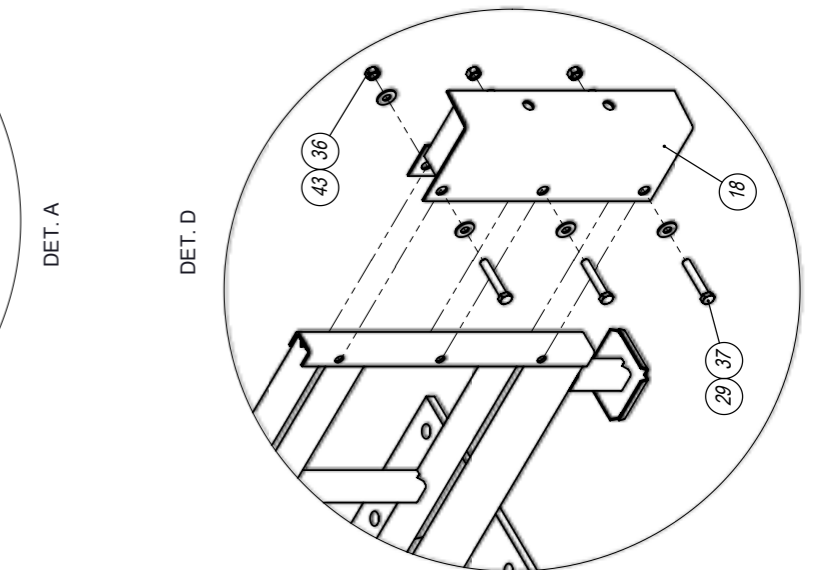
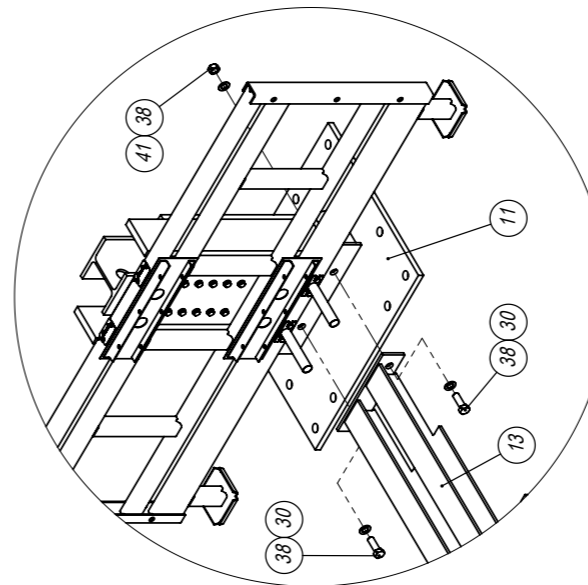
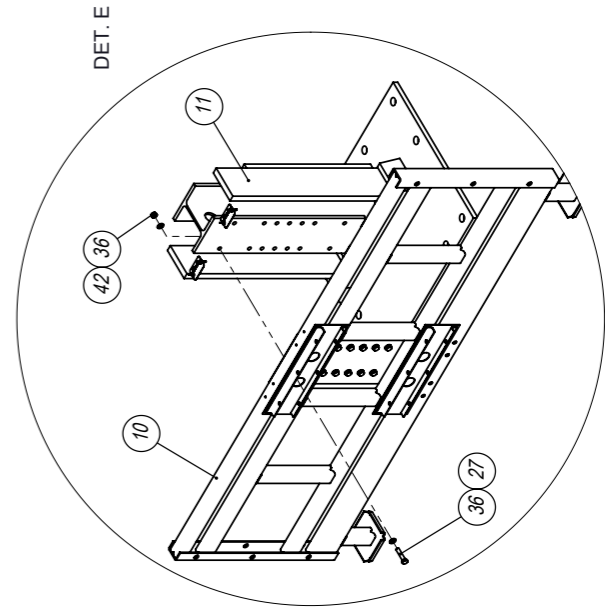
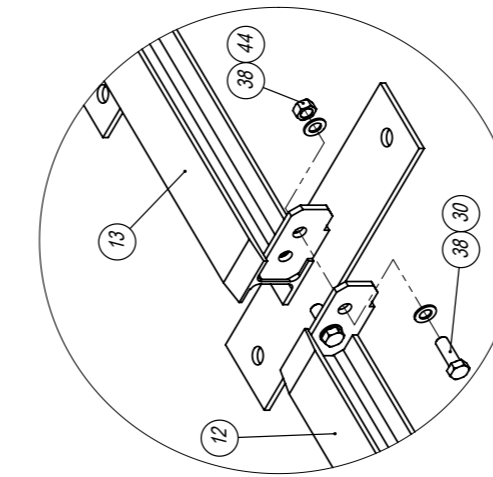
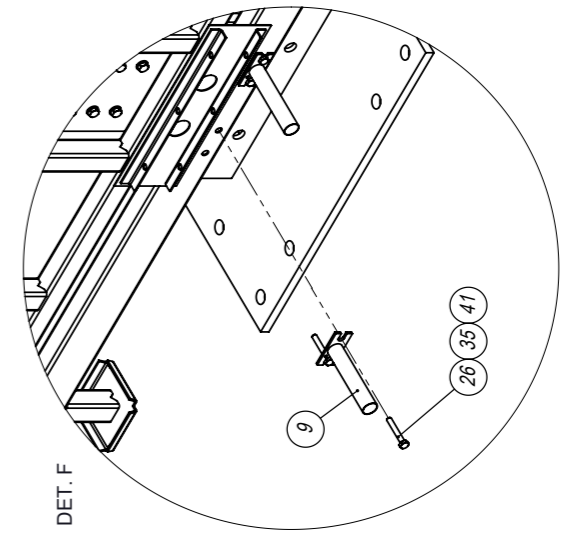
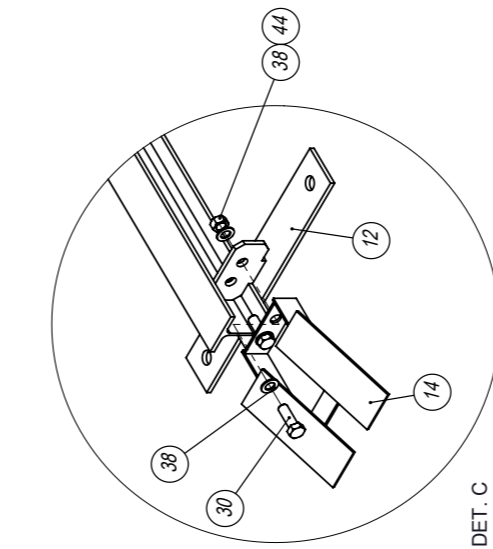
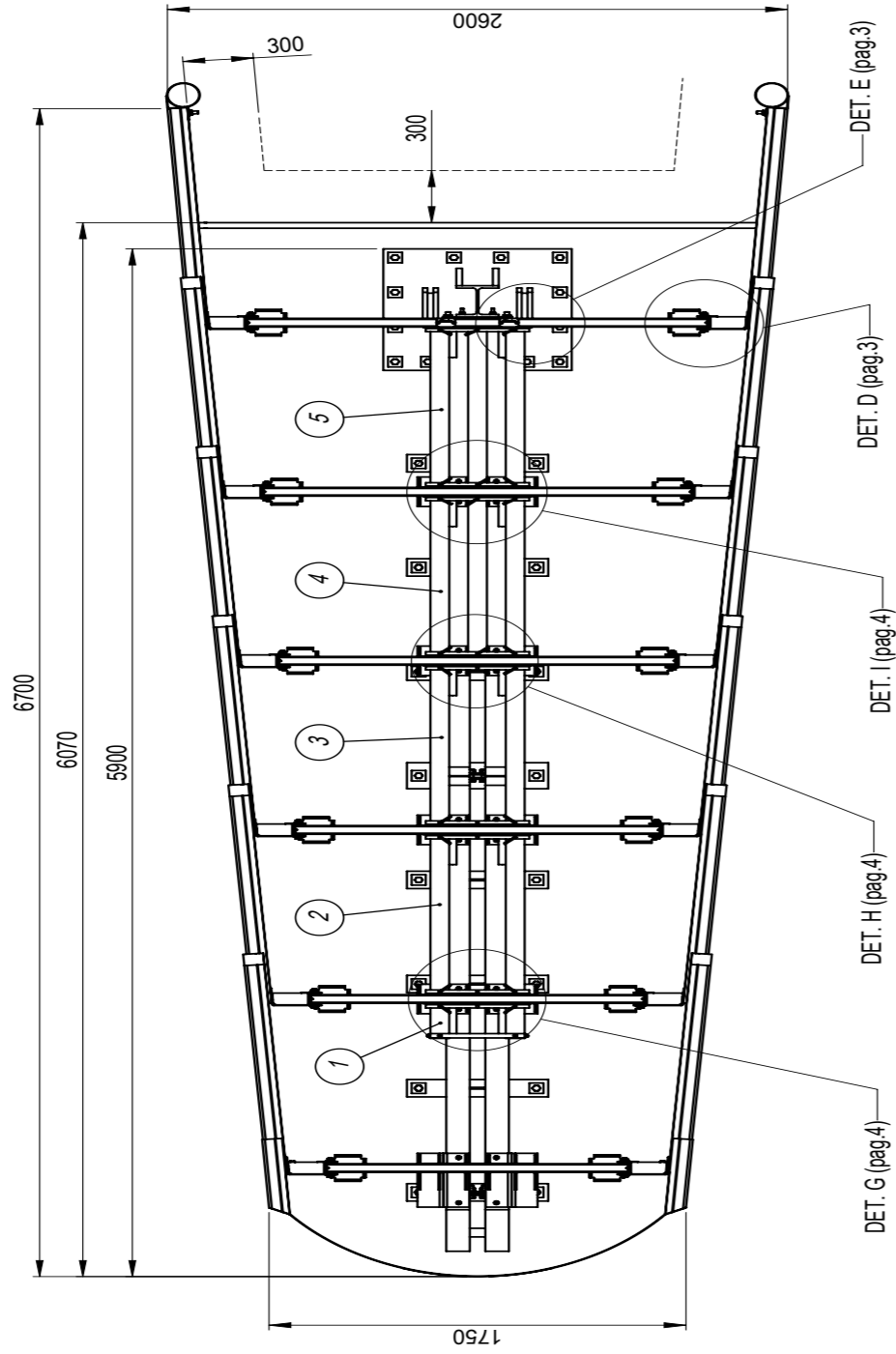
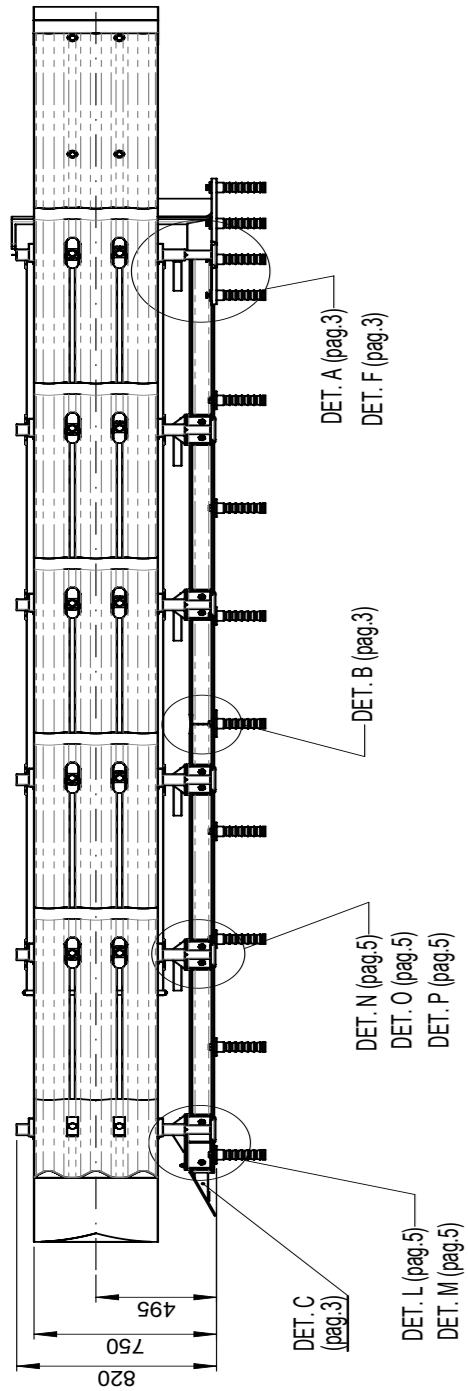
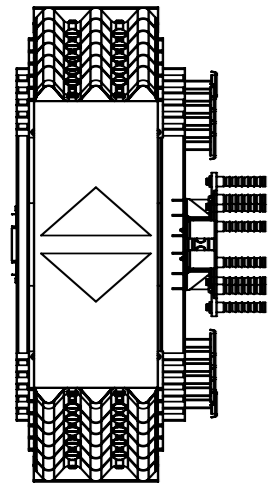


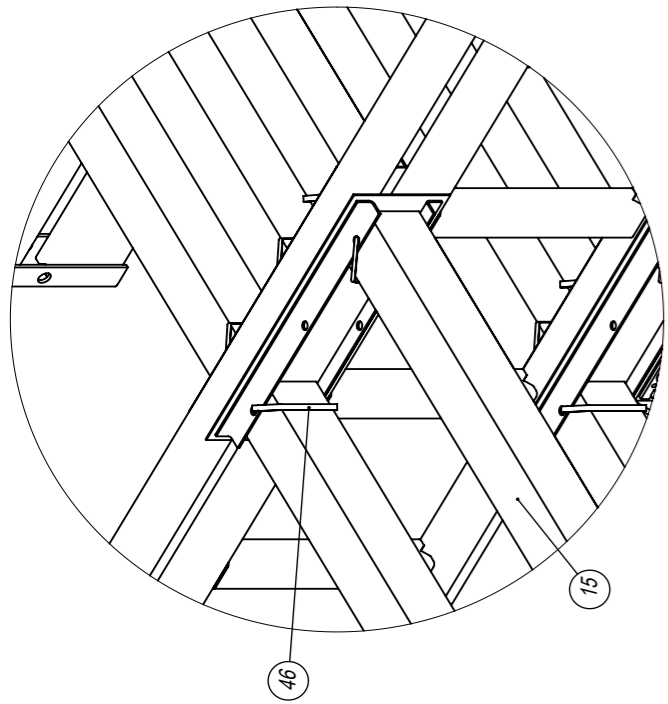
TAU TUBE™ XL110 WITH FIXING BARS

POS.	DESCRIZIONE	DESCRIPTION	kg	CODE	QTY.
1	Supporto anteriore XL	Front support XL	58,0	TUB0074	1
2	1° supporto intermedio XL	1° Intermediate support XL	58,8	TUB0075	1
3	2° supporto intermedio XL	2° Intermediate support XL	64,1	TUB0076	1
4	3° supporto intermedio XL	3° Intermediate support XL	66,6	TUB0077	1
5	4° supporto intermedio XL	4° Intermediate support XL	69,2	TUB0078	1
6	Rotella per carrello	Small wheel	1,0	TUB0025	20
7	Pannello anteriore	Front panel	0,7	TUB0038	2
8	Pannello	Panel	0,4	TUB0027	8
9	Ammortizzatore	Shock absorber	0,3	TUB0042	10
10	Supporto posteriore XL	Last support XL	65,7	TUB0079	1
11	Gruppo posteriore	Compact backstop	208,5	TUB0080	1
12	Guida anteriore	Front rail	124,4	TUB0031	1
13	Guida posteriore	Rear rail	128,3	TUB0032	1
14	Terminale per guida	Terminal for rail	3,3	TUB0047	1
15	Tube 80x80x2 L=920	Tube 80x80x2 L=920	1,5	TUB0007	20
16	Tube 80x80x2 L=200	Tube 80x80x2 L=200	0,3	TUB0046	4
17	Supporto tubi	Tubes support	1,1	TUB0045	1
18	Sostegno lama	3-beam panel mounting	7,7	TUB0072	12
19	Spingilama	Push-beam panel	0,2	TUB0081	4
20	Lama L=1250	3-beam panel L=1250	21,0	TUB0009	10
21	Cursore	Slider	0,8	TAU0179	20
22	Lama terminale	Final 3-beam panel	22,5	TAU0020	2
23	Traversa trasversale	Tube crosspiece	3,6	TAU0248	2
24	Vite TE M16 a colletto	Screw HH M16		VCO16-70ZC	20
25	Vite TE M8x20	Screw HH M8x20		VTE08-20ZC	8
26	Vite TE M10x70 parz. filet.	Screw HH M10x70 thread		VTE10-70PZC	20
27	Vite TE M12x60	Screw HH M12x60		VTE12-60ZC	14
28	Vite TE M16x50	Screw HH M16x50		VTE16-50ZC	8
29	Vite TE M16x100 parz. filet.	Screw HH M16x100 thread		VTE16-100PZC	36
30	Vite TE M20x60	Screw HH M20x60		VTE20-60ZC	30

TAU TUBE™ XL110 WITH FIXING BARS

POS.	DESCRIZIONE	DESCRIPTION	kg	CODE	QTY.
31	Vite TSEI M10x35	Screw FSH M10x35		VTS10-35ZC	20
32	Vite TE M20x80 inox	Screw HH M20x80		VTE20-80INX	28
33	Piastrina	Plate	0,3	TUB0041	4
34	Rondella M8	Washer M8		RP08-17ZC	16
35	Rondella M10	Washer M10		RP10-21ZC	40
36	Rondella M12	Washer M12		RP12-24ZC	28
37	Rondella M16 (ø17xøe40)	Washer M16 (ø17xøe40)		RP17-40ZC	84
38	Rondella M20	Washer M20		RP20-37ZC	36
39	Rondella 60x60x8 ø22	Washer 60x60x8 ø22		RQ22-60ZC	28
40	Dado M8	Nut M8		D08MAZC	8
41	Dado M10	Nut M10		D10MAZC	40
42	Dado M12	Nut M12		D12MAZC	14
43	Dado M16	Nut M16		D16MAZC	60
44	Dado M20	Nut M20		D20MAZC	30
45	Piletta	Fixing bar	2,5	TAU0024	28
46	Fascetta autobloc.	Clamp (7,9x360)		TAUFSKE134	44
47	Pasta chimica	Chemical Paste		MAL-EAN	14
48	Naso	Nose		TN180YE	1
49	Rivetto Al ø4,8x20 testa	AL rivet ø4,8x20 -large		RV4820	4
50	Targhetta identificazione	Identification plate		TAU0114	1
51	Targhetta marchio CE	CE plate		TUB0089	1
52	Tube per lama terminale	Tube for final 3-beam panel	8,0	TAU0025	2

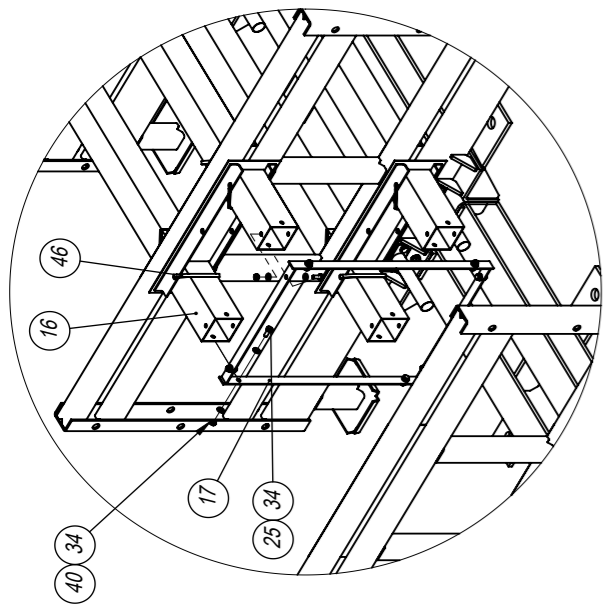




DET. H

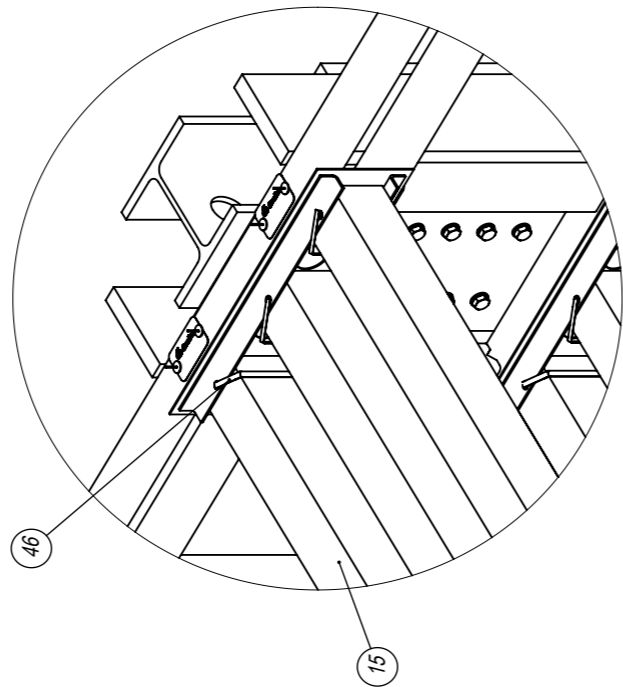
BAIA 1° CON N°4 TUBI
DISPOSTI COME DET. F
BAY 1° HAVE N°4 TUB
ARE POSITIONED AS DET. F

BAIA 2°, 3° CON N°4 TUBI
DISPOSTI COME DET. G
BAY 2°, 3° HAVE N°4 TUBE
ARE POSITIONED AS DET. G

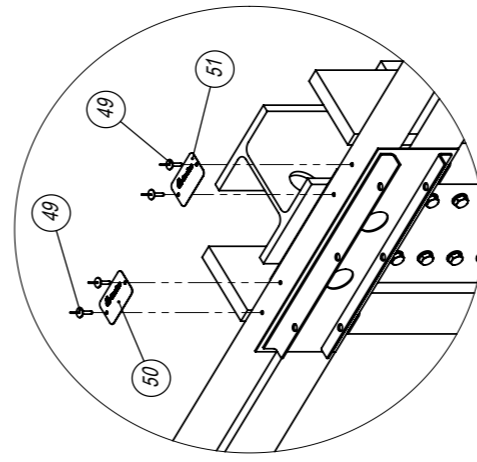


DET. G

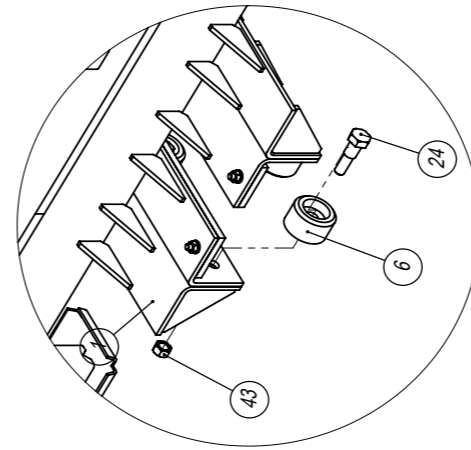
DET. I



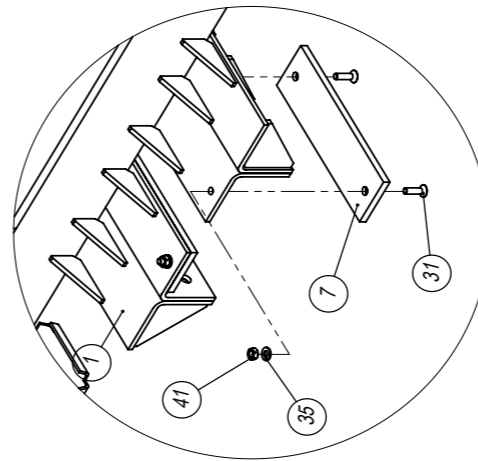
BAIA 4°, 5° CON N°6 TUBI
DISPOSTI COME DET. H
BAY 4°, 5° HAVE N°6 TUBE
ARE POSITIONED AS DET. H



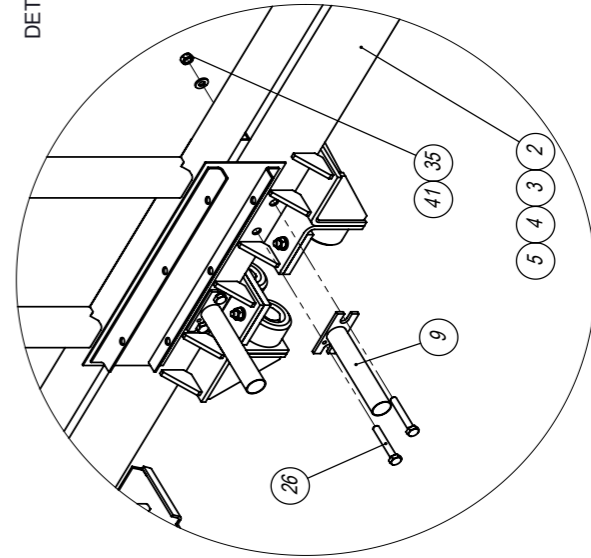
DET. R



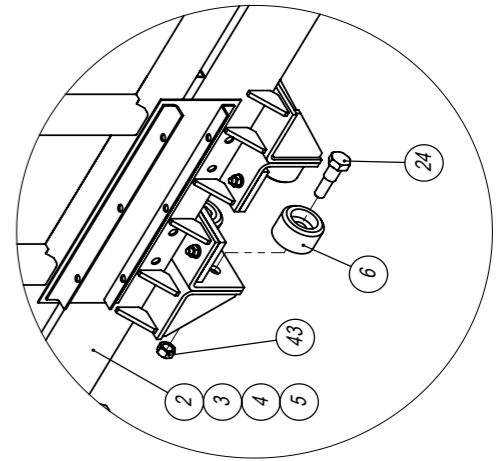
DET. M



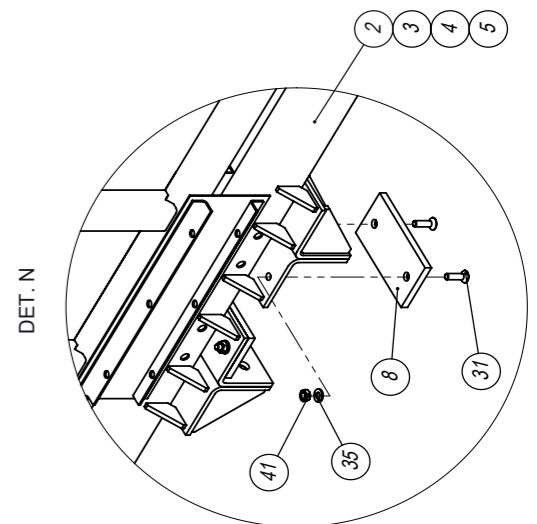
DET. L



DET. P

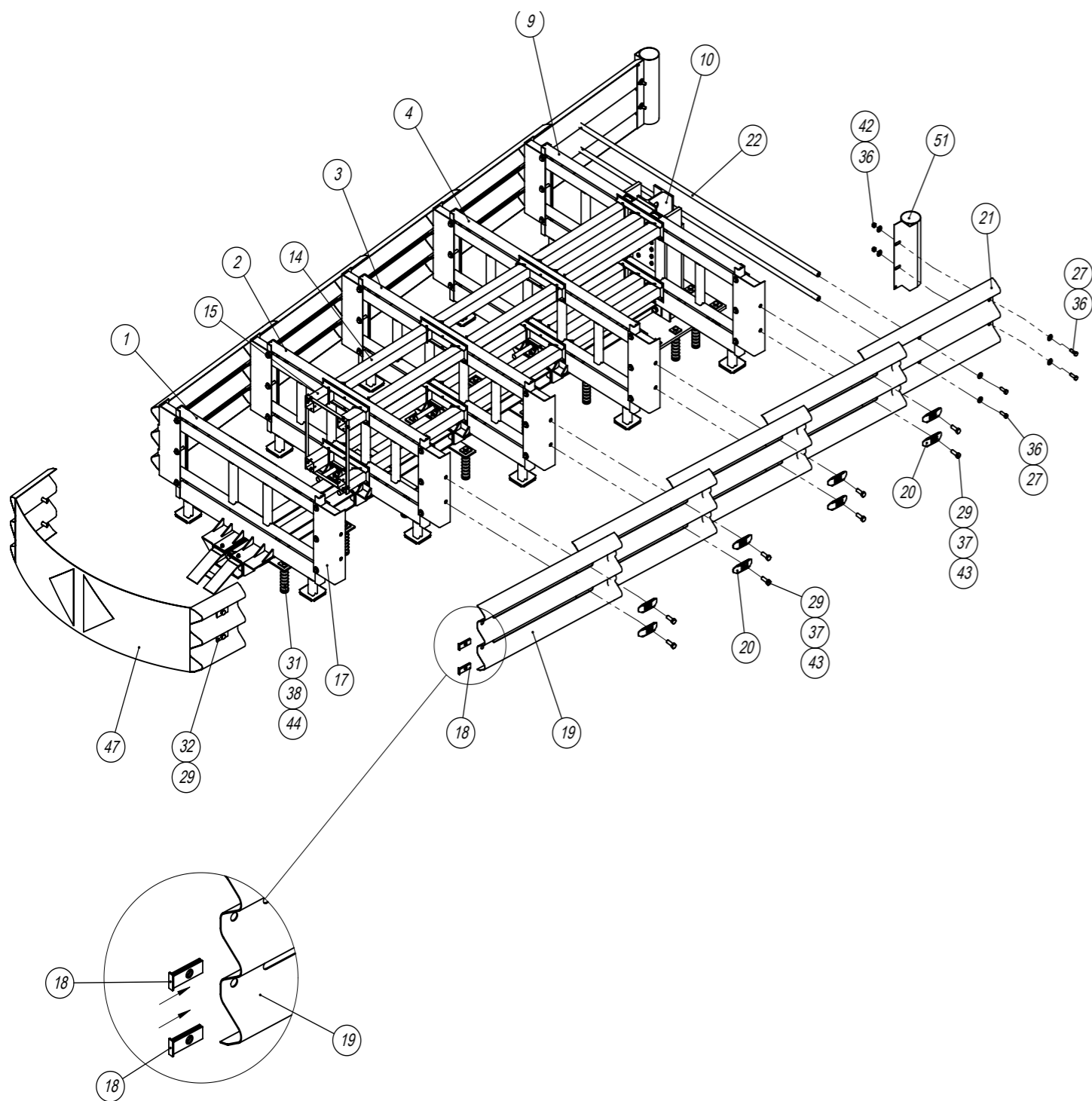


DET. O



DET. N

DRAWINGS AND BOM TAU TUBE™ XL100 WITH FIXING BARS

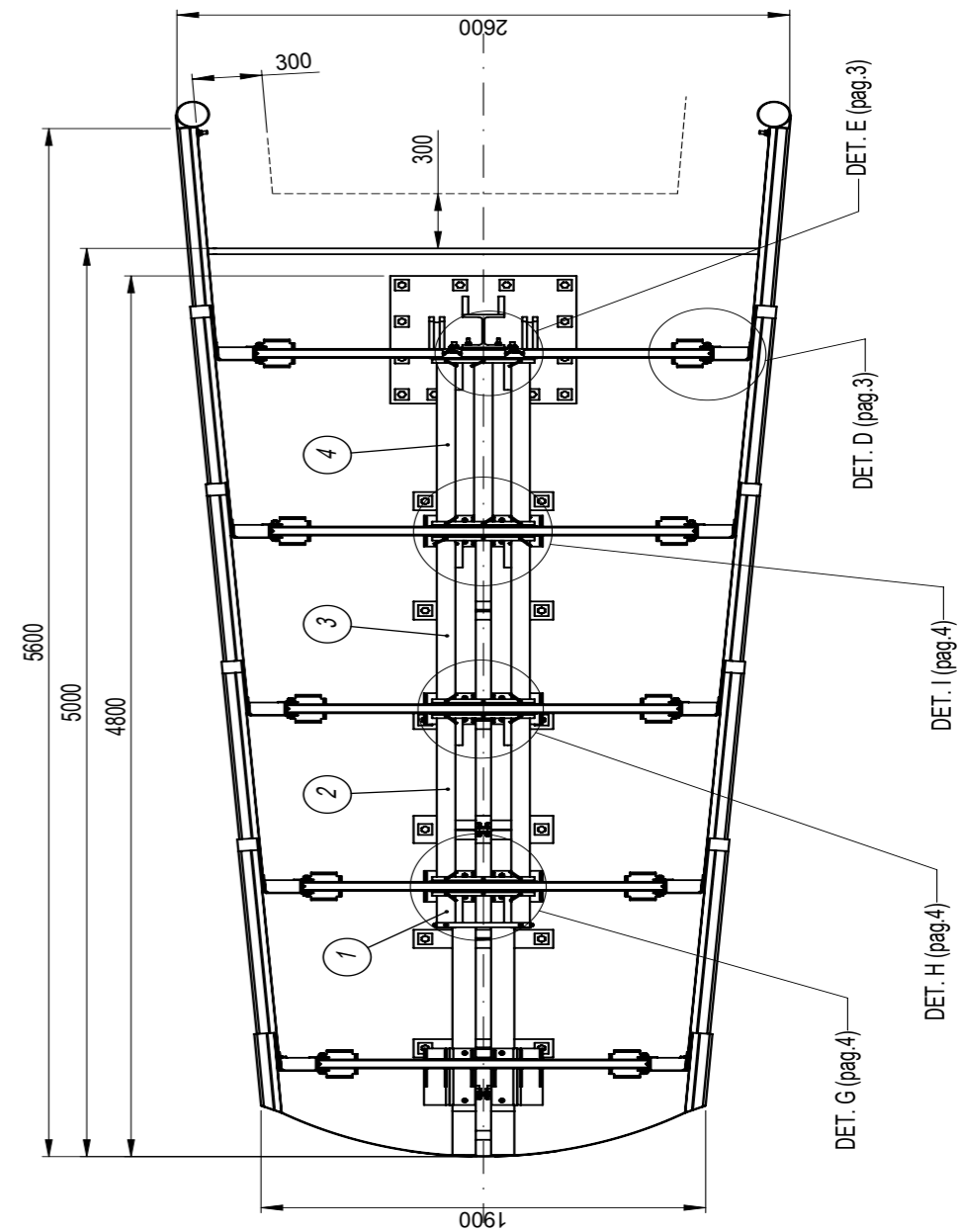
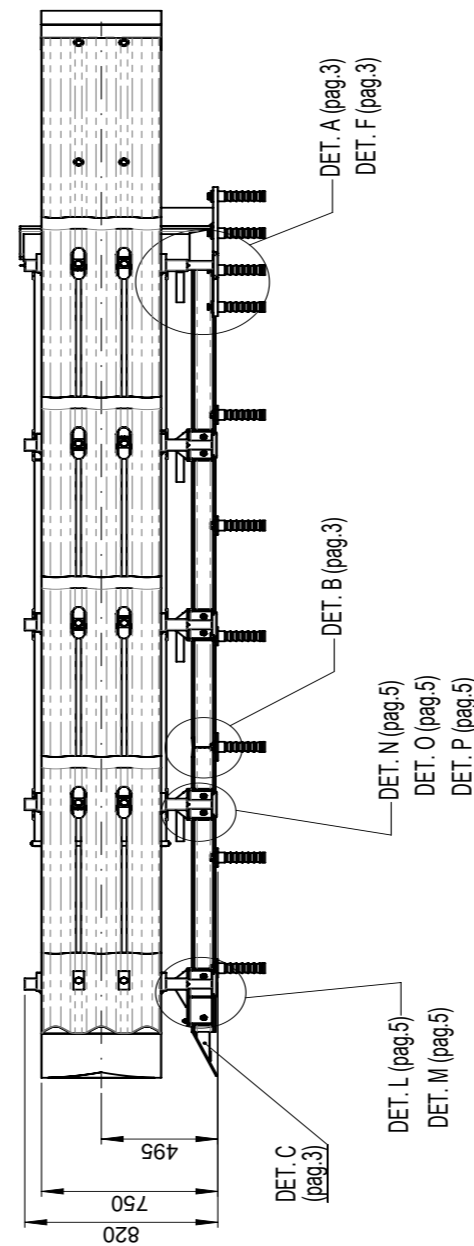
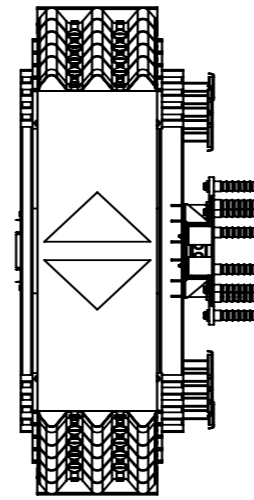


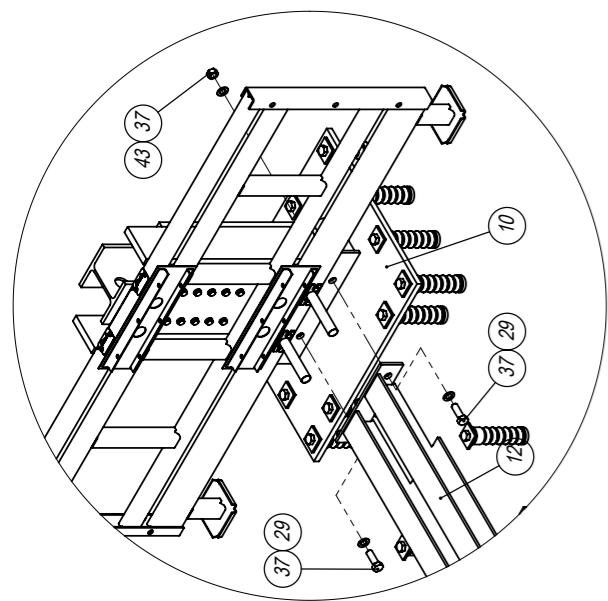
TAU TUBE™ XL100 WITH FIXING BARS

POS.	DESCRIZIONE	DESCRIPTION	kg	CODE	QTY.
1	Supporto anteriore XL 100	Front support XL	60,6	TUB0082	1
2	2° supporto intermedio XL	2° Intermediate support XL	64,1	TUB0076	1
3	3° supporto intermedio XL	3° Intermediate support XL	66,6	TUB0077	1
4	4° supporto intermedio XL	4° Intermediate support XL	69,2	TUB0078	1
5	Rotella per carrello	Small wheel	1,0	TUB0025	16
6	Pannello anteriore	Front panel	0,7	TUB0038	2
7	Pannello	Panel	0,4	TUB0027	6
8	Ammortizzatore	Shock absorber	0,3	TUB0042	8
9	Supporto posteriore XL	Last support XL	65,7	TUB0079	1
10	Gruppo posteriore	Compact backstop	208,5	TUB0080	1
11	Guida anteriore XL 100	Front rail XL 100	76,0	TUB0048	1
12	Guida posteriore	Rear rail	128,3	TUB0032	1
13	Terminale per guida	Terminal for rail	3,3	TUB0047	1
14	Tubo 80x80x2 L=920	Tube 80x80x2 L=920	1,5	TUB0007	14
15	Tubo 80x80x2 L=200	Tube 80x80x2 L=200	0,3	TUB0046	4
16	Supporto tubi	Tubes support	1,1	TUB0045	1
17	Sostegno lama	3-beam panel mounting	7,7	TUB0072	10
18	Spingilama	Push-beam panel	0,2	TUB0081	4
19	Lama L=1250	3-beam panel L=1250	21,0	TUB0009	8
20	Cursore	Slider	0,8	TAU0179	16
21	Lama terminale	Final 3-beam panel	22,5	TAU0020	2
22	Traversa trasversale	Tube crosspiece	3,6	TAU0248	2
23	Vite TE M16 a colletto	Screw HH M16		VCO16-70ZC	16
24	Vite TE M8x20	Screw HH M8x20		VTE08-20ZC	8
25	Vite TE M10x70 parz. filet.	Screw HH M10x70 thread		VTE10-70PZC	16
26	Vite TE M12x60	Screw HH M12x60		VTE12-60ZC	14
27	Vite TE M16x50	Screw HH M16x50		VTE16-50ZC	8
28	Vite TE M16x100 parz. filet.	Screw HH M16x100 thread		VTE16-100PZC	30
29	Vite TE M20x60	Screw HH M20x60		VTE20-60ZC	26
30	Vite TSEI M10x35	Screw FSH M10x35		VTS10-35ZC	16

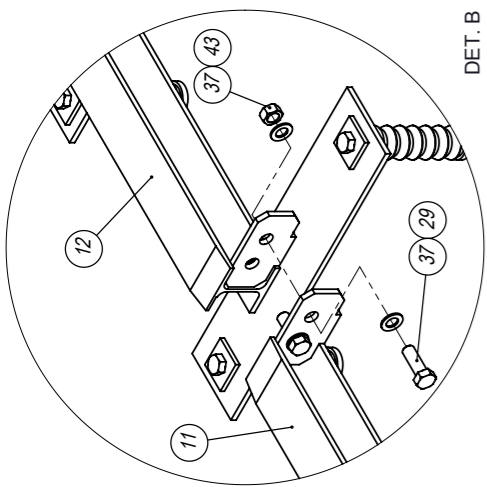
TAU TUBE™ XL100 WITH FIXING BARS

POS.	DESCRIZIONE	DESCRIPTION	kg	CODE	QTY.
31	Vite TE M20x80 inox	Screw HH M20x80		VTE20-80INX	24
32	Piastrina	Plate	0,3	TUB0041	4
33	Rondella M8	Washer M8		RP08-17ZC	16
34	Rondella M10	Washer M10		RP10-21ZC	32
35	Rondella M12	Washer M12		RP12-24ZC	28
36	Rondella M16 (øi17xøe40)	Washer M16 (øi17xøe40)		RP17-40ZC	72
37	Rondella M20	Washer M20		RP20-37ZC	32
38	Rondella 60x60x8 ø22	Washer 60x60x8 ø22		RQ22-60ZC	24
39	Dado M8	Nut M8		D08MAZC	8
40	Dado M10	Nut M10		D10MAZC	32
41	Dado M12	Nut M12		D12MAZC	14
42	Dado M16	Nut M16		D16MAZC	50
43	Dado M20	Nut M20		D20MAZC	26
44	Piletta	Fixing bar	2,5	TAU0024	24
45	Fascetta autobloc. (7,9x360)	Clamp (7,9x360)		TAUFSKE134	32
46	Pasta chimica	Chemical Paste		MAL-EAN	12
47	Naso	Nose		TN180YE	1
48	Rivetto Al ø4,8x20 testa larga	AL rivet ø4,8x20 -large		RV4820	4
49	Targhetta identificazione	Identification plate		TAU0114	1
50	Targhetta marchio CE	CE plate		TUB0089	1
51	Tube per lama terminale	Tube for final 3-beam panel	8,0	TAU0025	2

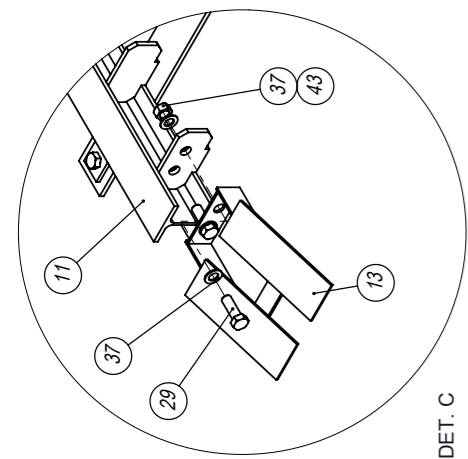




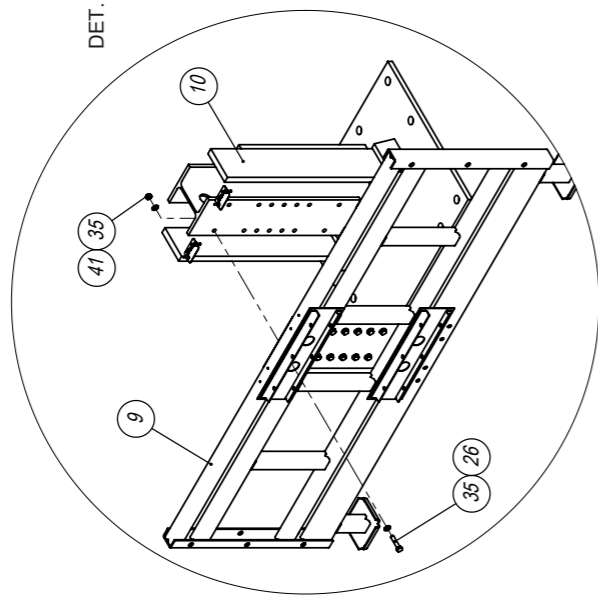
DET. A



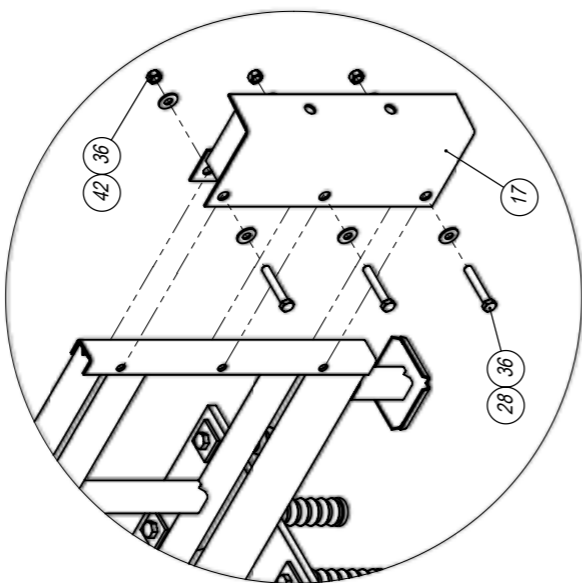
DET. B



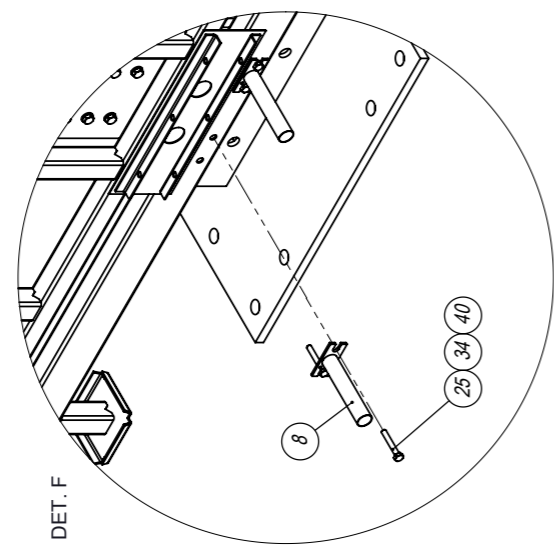
DET. C



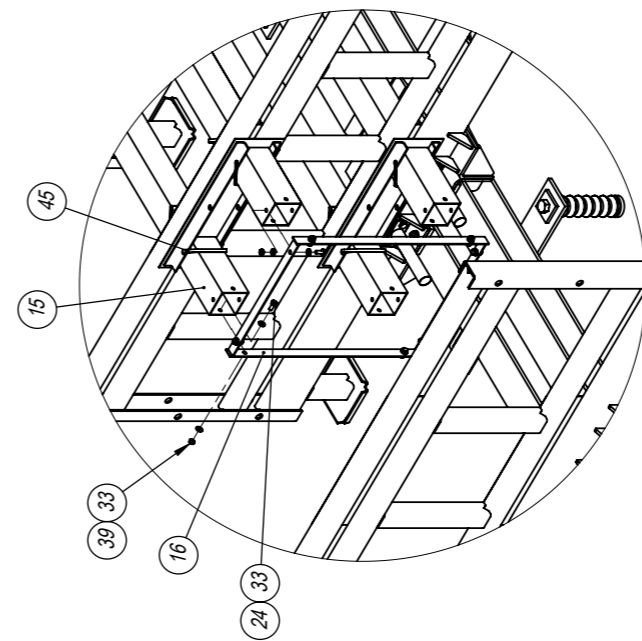
DET. E



DET. D



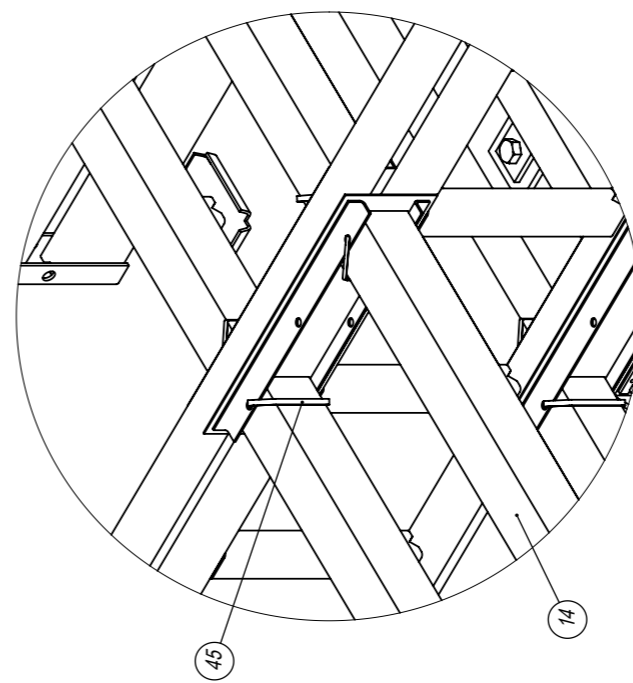
DET. F



DET. G

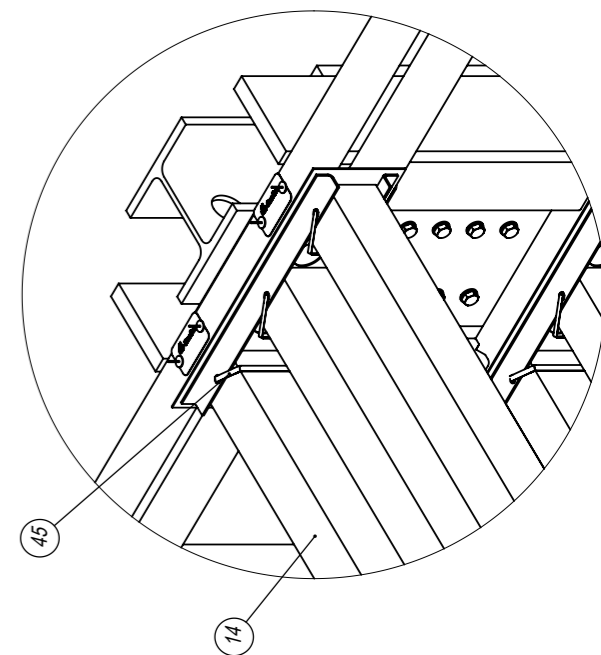
BAIA 1° CON N°4 TUBI
DISPOSTI COME DET. G
BAY 1° HAVE N°4 TUB
ARE POSITIONED AS DET. G

BAIA 2°, 3° CON N°4 TUBI
DISPOSTI COME DET. H
BAY 2°, 3° HAVE N°4 TUBE
ARE POSITIONED AS DET. H



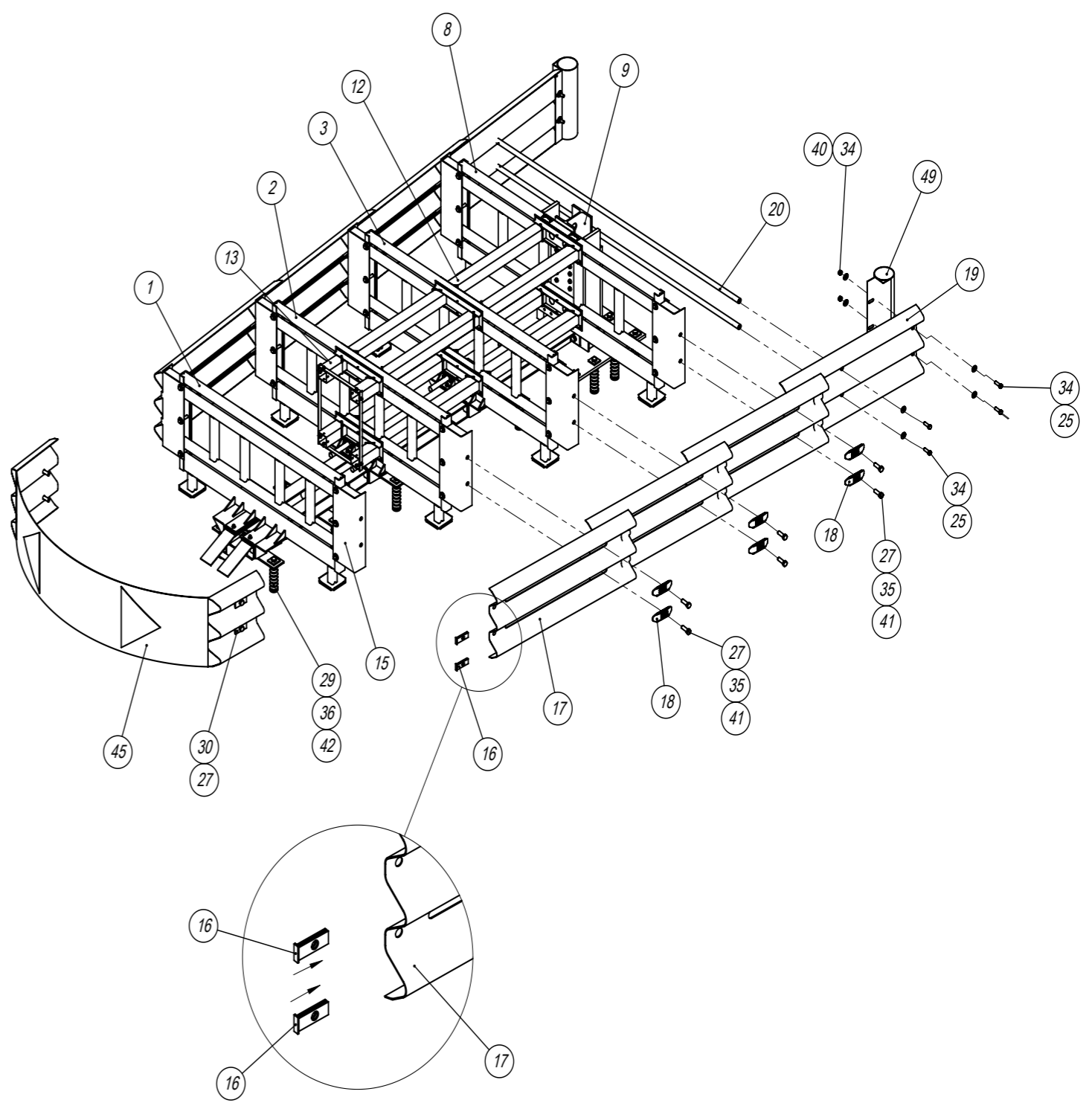
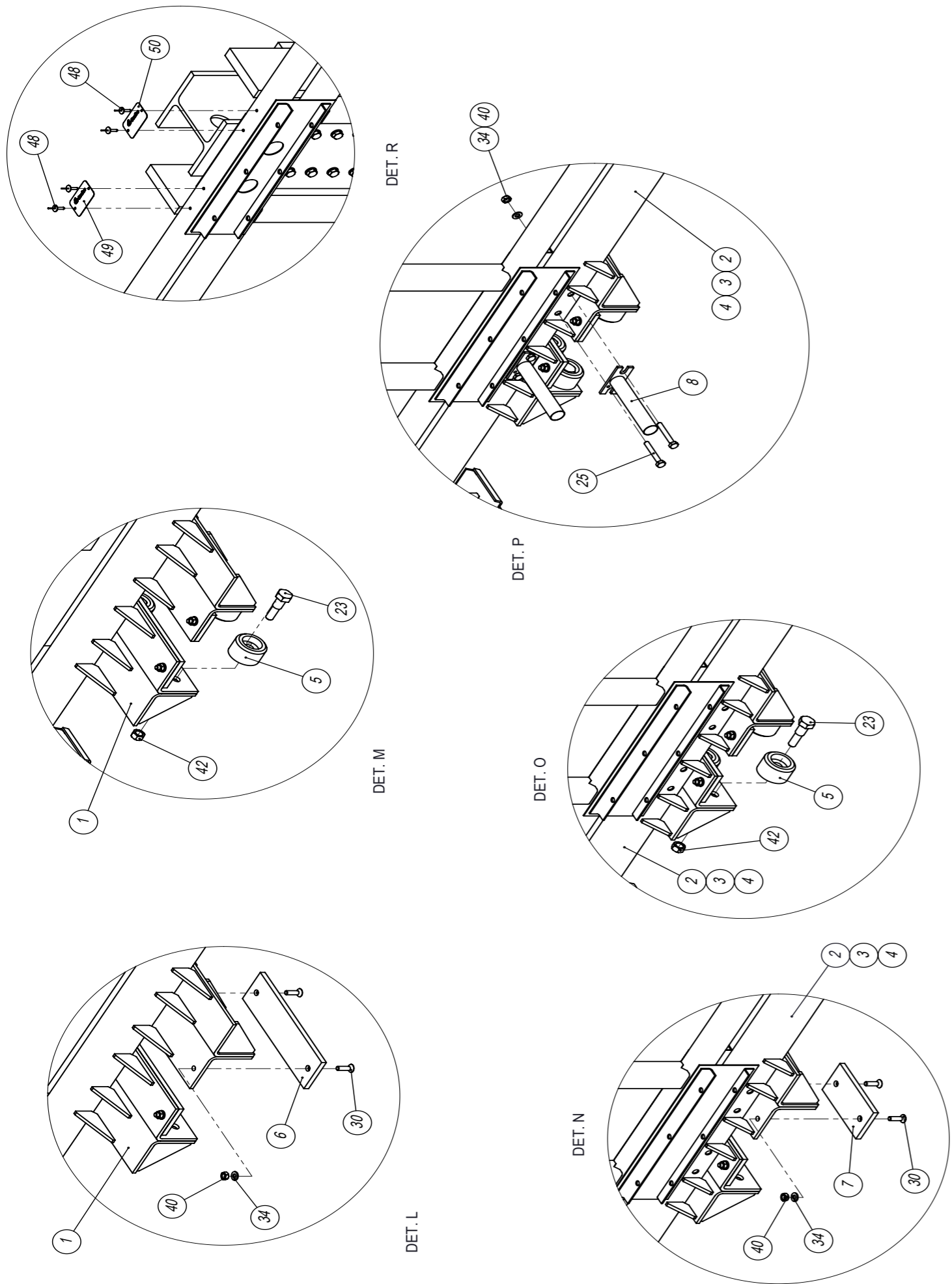
DET. H

BAIA 4° CON N°6 TUBI
DISPOSTI COME DET. I
BAY 4° HAVE N°6 TUBE
ARE POSITIONED AS DET. I



DET. I

DRAWINGS AND BOM TAU TUBE™ XL80 WITH FIXING BARS

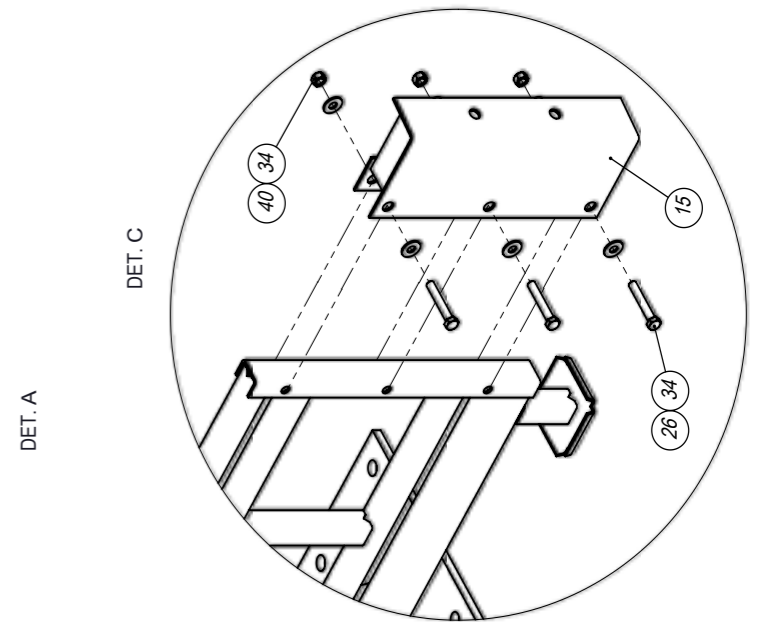
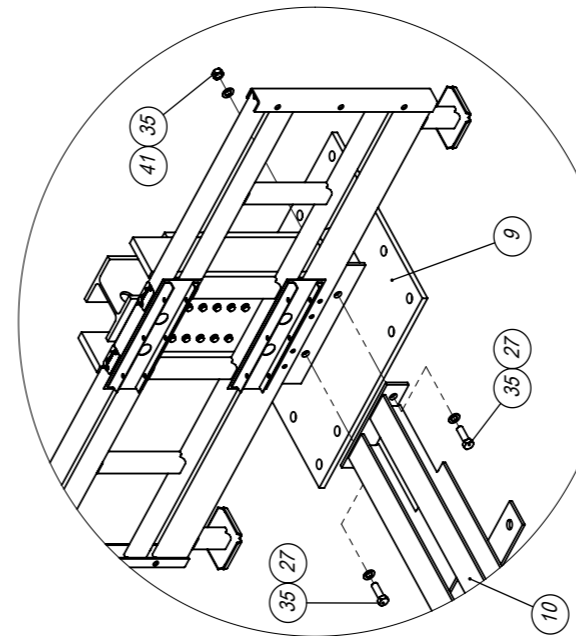
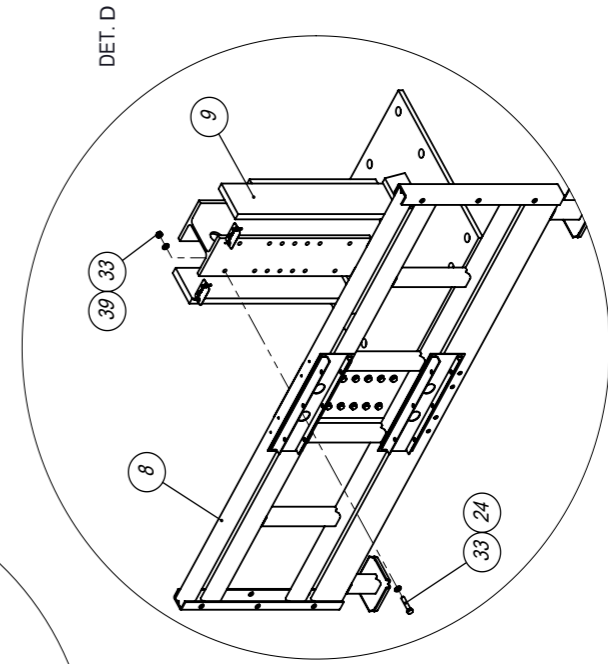
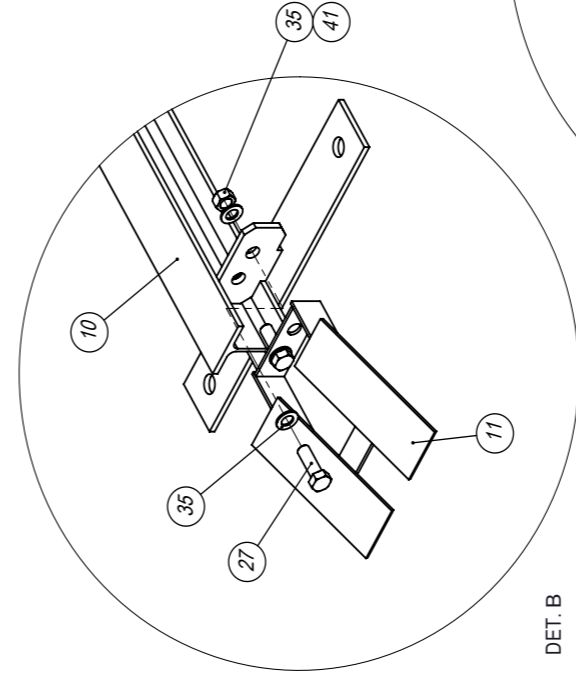
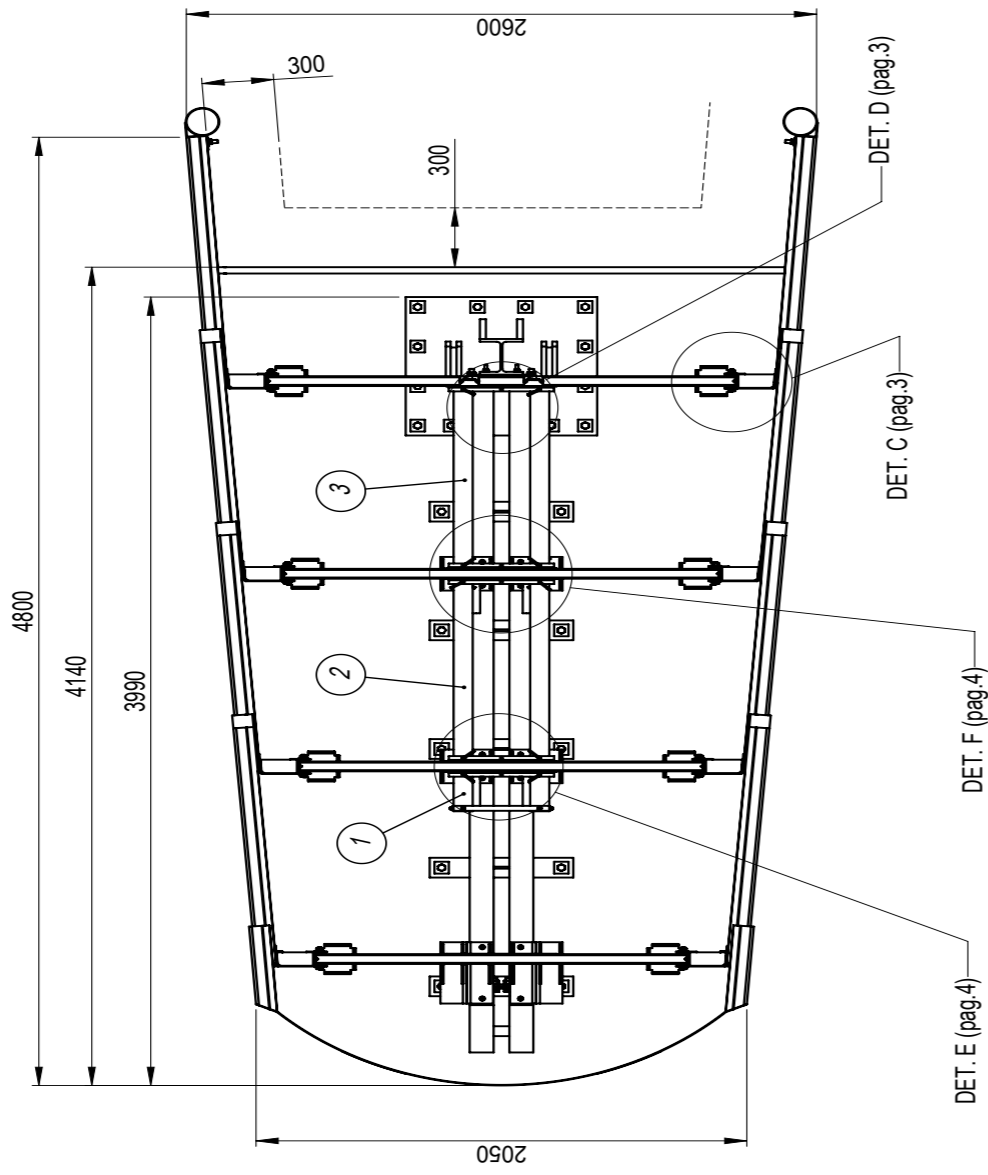
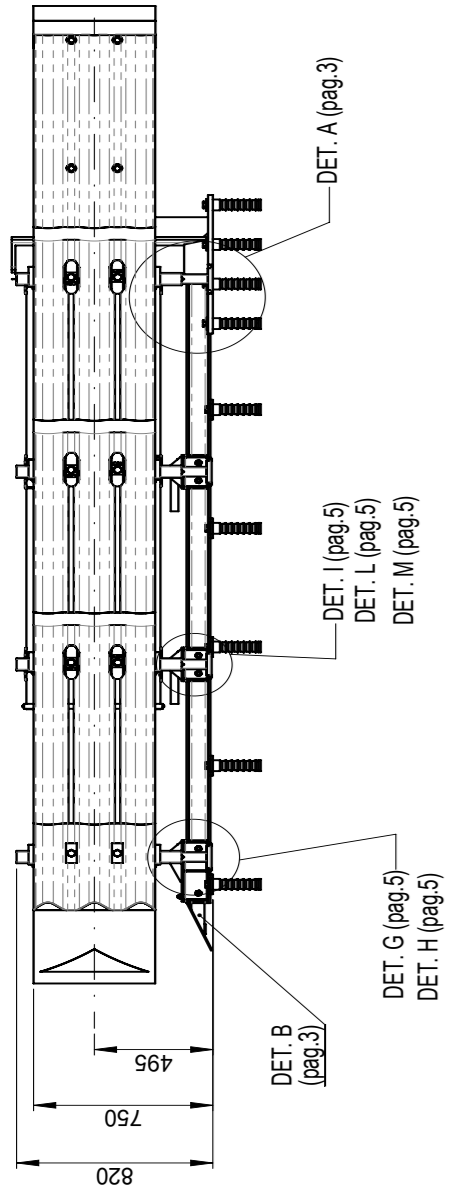
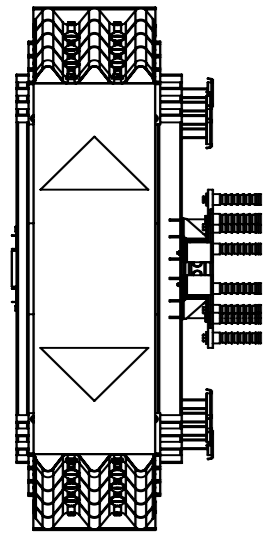


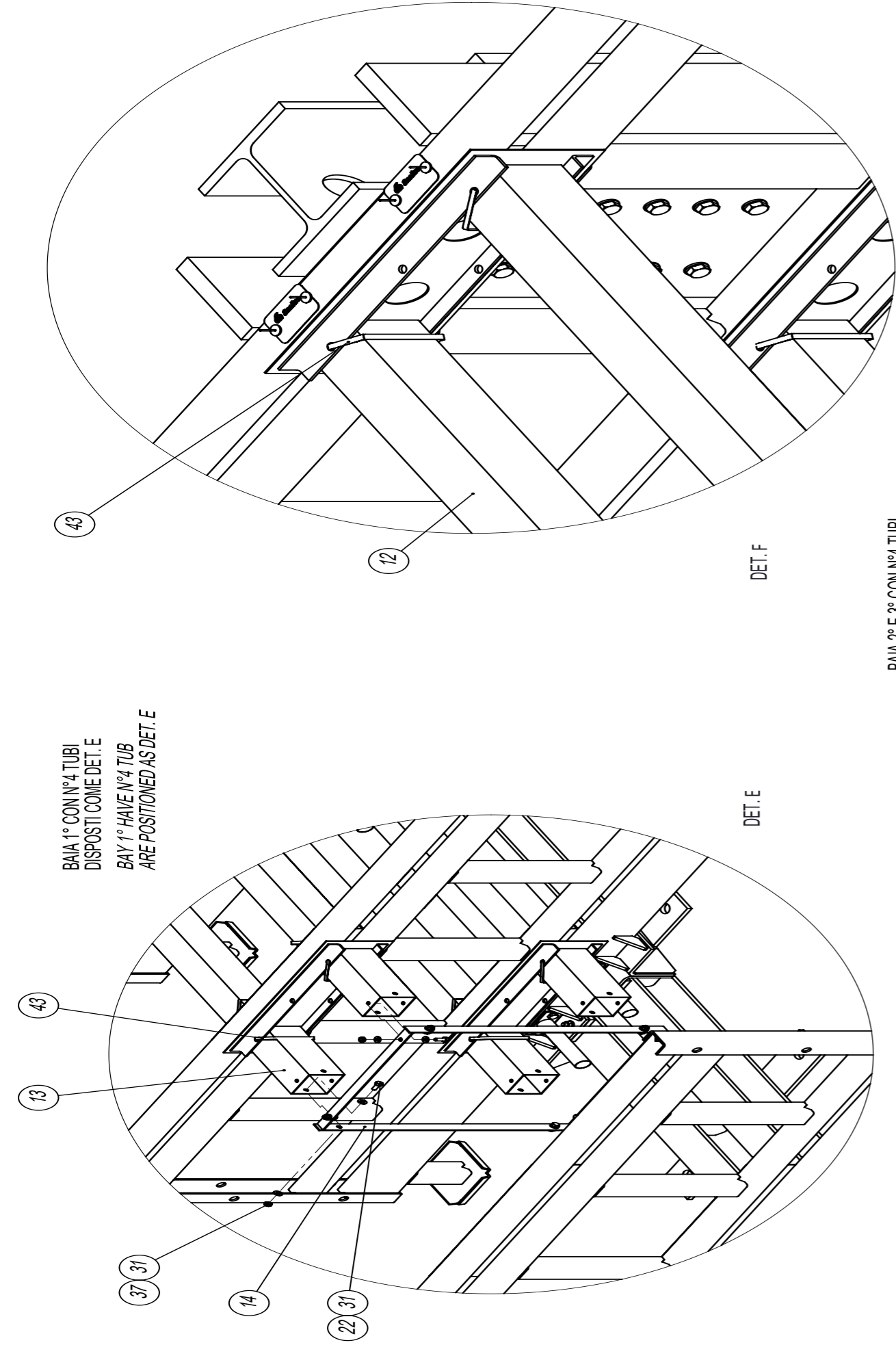
TAU TUBE™ XL80 WITH FIXING BARS

POS.	DESCRIZIONE	DESCRIPTION	kg	CODE	QTY.
1	Supporto anteriore XL 80	Front support XL 80	65,8	TUB0083	1
2	3° supporto intermedio XL	3° Intermediate support XL	66,6	TUB0077	1
3	4° supporto intermedio XL	4° Intermediate support XL	69,2	TUB0078	1
4	Rotella per carrello	Small wheel	1,0	TUB0025	12
5	Pannello anteriore	Front panel	0,7	TUB0038	2
6	Pannello	Panel	0,4	TUB0027	4
7	Ammortizzatore	Shock absorber	0,3	TUB0042	4
8	Supporto posteriore XL	Last support XL	65,7	TUB0079	1
9	Gruppo posteriore	Compact backstop	208,5	TUB0080	1
10	Guida anteriore XL 80	Front rail XL 80	153,5	TUB0049	1
11	Terminale per guida	Terminal for rail	3,3	TUB0047	1
12	Tubo 80x80x2 L=920	Tube 80x80x2 L=920	1,45	TUB0007	8
13	Tubo 80x80x2 L=200	Tube 80x80x2 L=200	0,3	TUB0046	4
14	Supporto tubi	Tubes support	1,1	TUB0045	1
15	Sostegno lama	3-beam panel mounting	7,7	TUB0072	8
16	Spingilama	Push-beam panel	0,2	TUB0081	4
17	Lama L=1250	3-beam panel L=1250	21,0	TUB0009	6
18	Cursore	Slider	0,8	TAU0179	12
19	Lama terminale	Final 3-beam panel	22,5	TAU0020	2
20	Traversa trasversale	Tube crosspiece	3,6	TAU0248	2
21	Vite TE M16 a colletto	Screw HH M16		VCO16-70ZC	12
22	Vite TE M8x20	Screw HH M8x20		VTE08-20ZC	8
23	Vite TE M10x70 parz. filet.	Screw HH M10x70 thread		VTE10-70PZC	8
24	Vite TE M12x60	Screw HH M12x60		VTE12-60ZC	14
25	Vite TE M16x50	Screw HH M16x50		VTE16-50ZC	8
26	Vite TE M16x100 parz. filet.	Screw HH M16x100 thread		VTE16-100PZC	24
27	Vite TE M20x60	Screw HH M20x60		VTE20-60ZC	20
28	Vite TSEI M10x35	Screw FSH M10x35		VTS10-35ZC	12
29	Vite TE M20x80 inox	Screw HH M20x80		VTE20-80INX	22
30	Piastrina	Plate	0,3	TUB0041	4

TAU TUBE™ XL80 WITH FIXING BARS

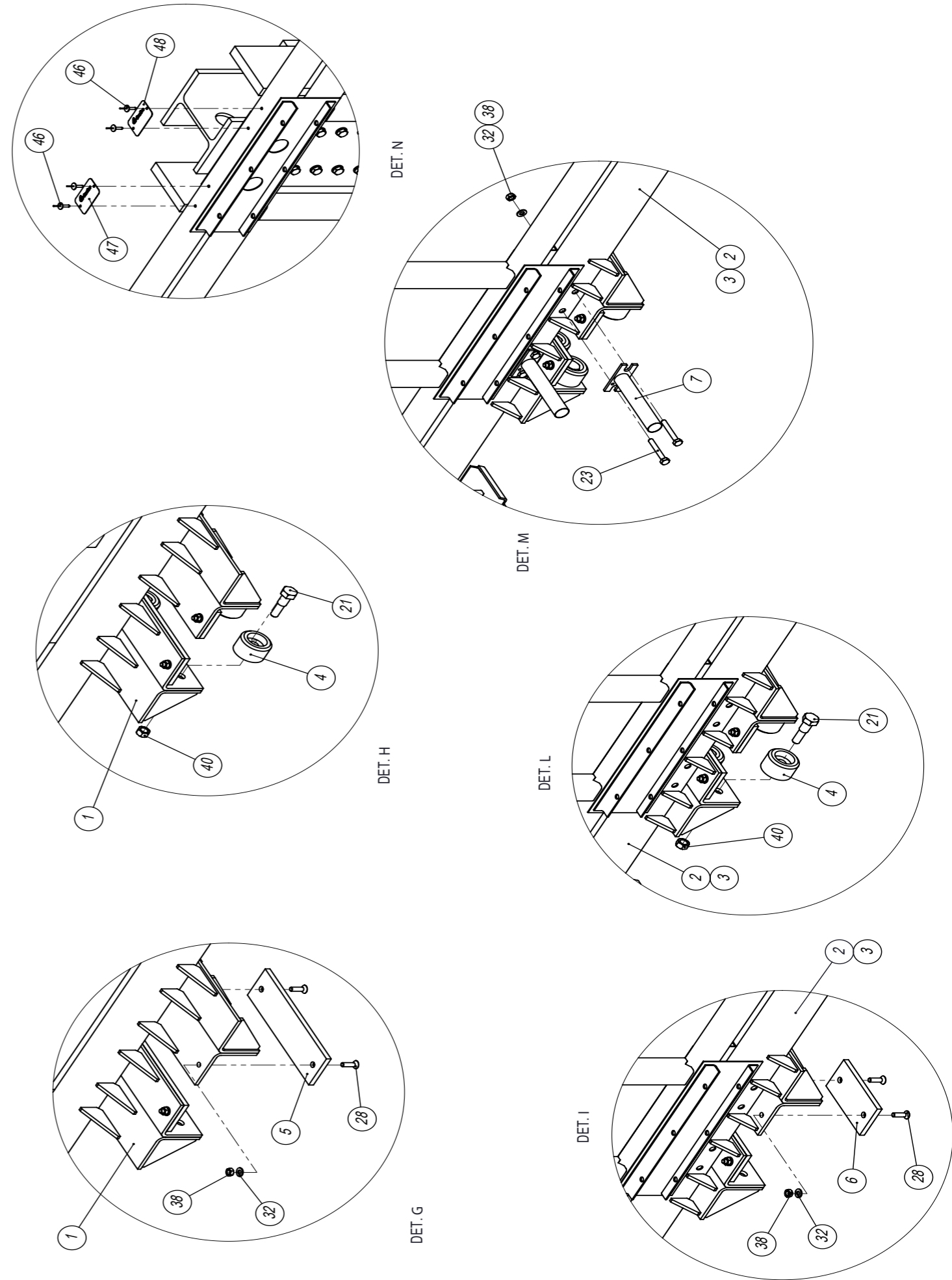
POS.	DESCRIZIONE	DESCRIPTION	kg	CODE	QTY.
31	Rondella M8	Washer M8		RP08-17ZC	16
32	Rondella M10	Washer M10		RP10-21ZC	20
33	Rondella M12	Washer M12		RP12-24ZC	28
34	Rondella M16 (øi17xøe40)	Washer M16 (øi17xøe40)		RP17-40ZC	60
35	Rondella M20	Washer M20		RP20-37ZC	24
36	Rondella 60x60x8 ø22	Washer 60x60x8 ø22		RQ22-60ZC	22
37	Dado M8	Nut M8		D08MAZC	8
38	Dado M10	Nut M10		D10MAZC	20
39	Dado M12	Nut M12		D12MAZC	14
40	Dado M16	Nut M16		D16MAZC	40
41	Dado M20	Nut M20		D20MAZC	20
42	Piletta	Fixing bar	2,5	TAU0024	22
43	Fascetta autobloc. (7,9x360)	Clamp (7,9x360)		TAUFSKE134	20
44	Pasta chimica	Chemical Paste		MAL-EAN	11
45	Naso	Nose		TN220YE	1
46	Rivetto Al ø4,8x20 testa larga	AL rivet ø4,8x20 -large		RV4820	4
47	Targhetta identificazione	Identification plate		TAU0114	1
48	Targhetta marchio CE	CE plate		TUB0089	1
49	Tubo per lama terminale	Tube for final 3-beam panel	8,0	TAU0025	2





BAIA 1° CON N°4 TUBI
DISPOSTI COME DET. E
BAY 1° HAVE N°4 TUB
ARE POSITIONED AS DET. E

BAIA 2° E 3° CON N°4 TUBI
DISPOSTI COME DET. F
BAY 2° AND 3° HAVE N°4 TUBE
ARE POSITIONED AS DET. F



BEFORE INSTALLATION

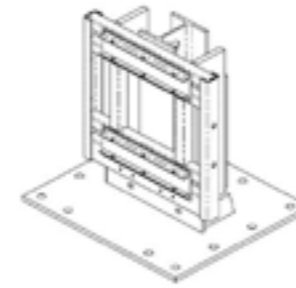
Depending on the application and the circumstances on the installation site, installation of the TAU Tube™ normally requires a team of two for a maximum of 3 hours. Before starting it is advisable to become familiar with the basic components that make up the TAU Tube™, illustrated from pag. 107 to pag. 109 of this manual.

EQUIPMENT REQUIRED

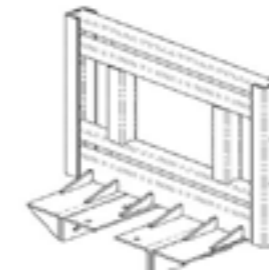
- Power generator (minimum power=3kW)
- Extension lead for electric tools
- Drill with bits for drilling concrete
- Full water tank and dipping pump
- Sledge hammer, Lever (or crowbar)
- Core drill $\varnothing 80\text{mm}$ and $\varnothing 120\text{mm}$
- Set of wrenches and socket wrenches with $\frac{1}{2}$ " ratchet
- Electric screwdriver, $\frac{1}{2}$ " attachment, grinder with cutting discs
- Small torque wrench up to 200 Nm, $\frac{1}{2}$ " attachment
- Steel or synthetic wire cable to extend the system
- Metric tapeline and metric yardstick
- Truck equipped with cranes and lifting accessories
- Bucket with chalk and chalk line
- Complete box of tools (flat blade and Phillips head screwdrivers and saw for sheet metal, adjustable pipe wrench, ...)
- Tips for percussion drill, $\varnothing 30\text{ mm}$ and lenght suitable for piling 600 mm **(for the solution on plate only)**

During installation, the installer must respect the safety requirements in force in the European Community and in force in the country of installation of the device, updated to the date of installation
Note: This list is for general recommendation. The actual need for equipment to be used may depend on the specific characteristics of the installation site.

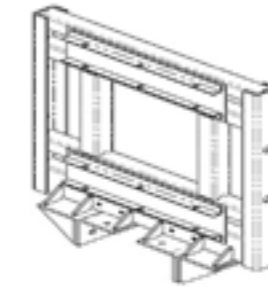
PARTS LIST



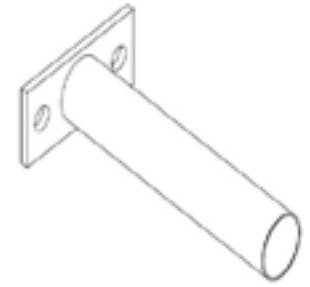
Backstop
TUB0008



Front support
TUB0024



Intermediate support
TUB0021



Shock absorber
TUB0042



Front panel TUB0038



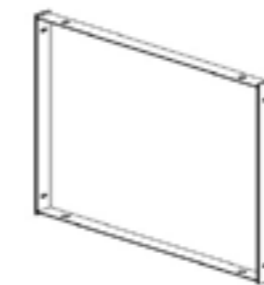
Intermediate panel
TUB0027



Small wheel
TUB0025



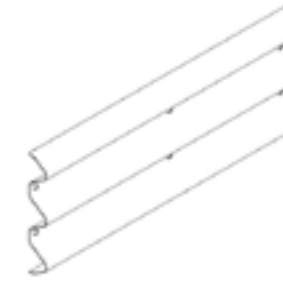
M16 neck screw
TUB0029



Tubes support
TUB0045



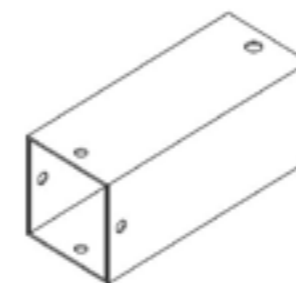
3-beam panel L=1250
TUB0009



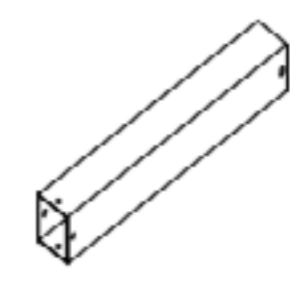
Final 3-beam panel
TAU0020



Tube 80x80x2 L=920
TUB0007



Tube 80x80x2 L=200
TUB0046



Tube 80x80x2 L=600
TUB0060



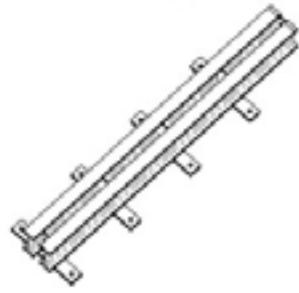
Tube crosspiece
TUB0028



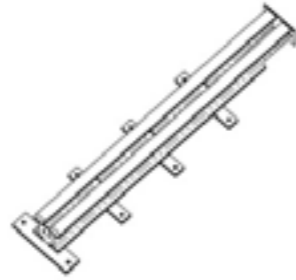
Slider
TAU0179



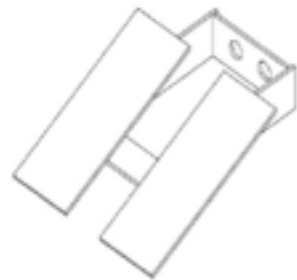
Nose
TN880YE



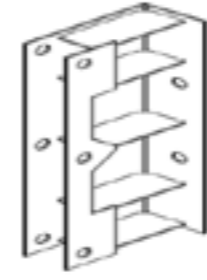
Front rail P110
TUB0031



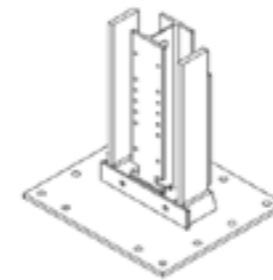
Rear rail
TUB0032



Rail terminal
TUB0047



3-beam panel
mounting
TUB0072



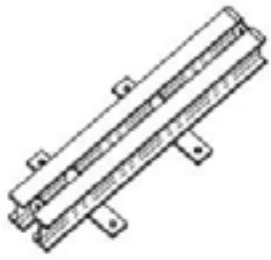
Backstop
TUB0080



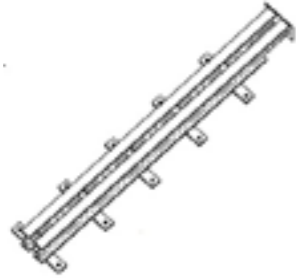
Beam pusher
TUB0081



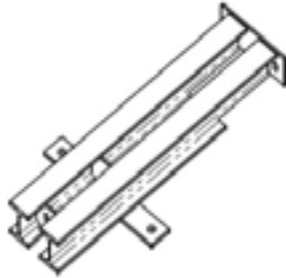
Tube crosspiece



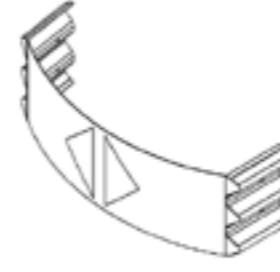
Front rail P100
TUB0048



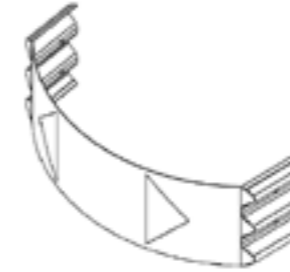
Rail P80
TUB0049



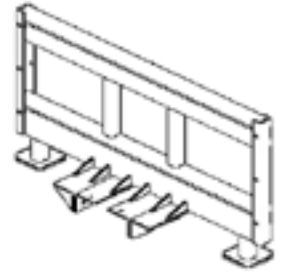
Rail P50
TUB0050



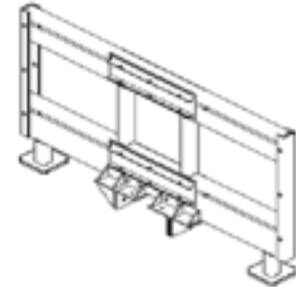
Nose L=1800
TN180YE



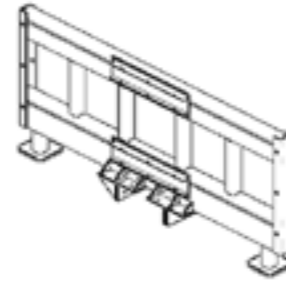
Nose L=2200
TN220YE



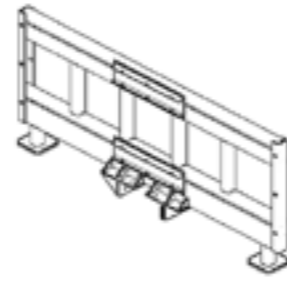
Front support XL 110
TUB0074



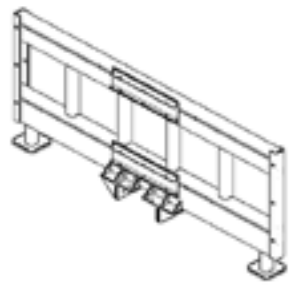
Int. support XL
TUB0075



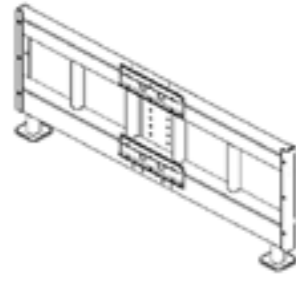
Int. support XL
TUB0076



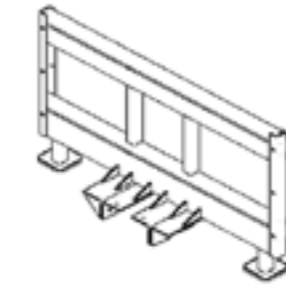
Int. support XL
TUB0077



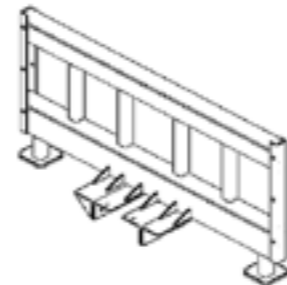
Int. support XL
TUB0078



Rear support XL
TUB0079



Front support XL 100
TUB0082



Front support XL 80
TUB0083

PREPARATION FOR INSTALLATION

PRE-ASSEMBLED SYSTEM INSTALLATION

1. Installation

Place the system in its final position. Use the holes in the plate as a template to mark the spot to drill for anchors. Remove the system and drill (diameter 32 mm depth 220 mm). Clean and fill them (about $\frac{3}{4}$ of the depth of the hole).

Keep the holes free from water, snow or other substances. Insert the threaded rods, following the instructions included with the anchor grout. Reposition the system and once the nuts are screwed to the threaded rods, tighten them to 60 Nm. For the anchoring with fixing bars drill a diameter of 80 mm depth 220 mm, follow the same cleaning instruction of the holes and the filling with the same grout; tighten to 60 Nm.

If a drilling template is available, place it in the final point and mark the holes with spray paint; then remove the drilling template and start drilling (diameter 32 mm, depth 220 mm). Clean the holes keeping them free from water, snow or other substances, and fill with the anchor grout (about $\frac{3}{4}$ of the depth of the hole), following the instructions included. Position the system with the threaded rods inserted and held in place by the nuts, taking care to center all holes. Once positioned properly screw the nuts to threaded rods, tighten them in locked mode and recheck that the cursors are closed to 60 Nm.



Figure 1a) Drilling



Figure 1b) TAU Tube™ placing



Figure 1c) TAU Tube™ placing

UNASSEMBLED SYSTEM INSTALLATION

PARALLEL VERSIONS

Before starting installation, check the packing list to make sure that the entire system has been properly delivered. If transitions may be necessary or noted, it is important to bear them in mind before beginning installation, to be sure of respecting the right distances for positioning the attenuator.

1. Installing the backstops and rails

Position the backstops and the rails to the final position. Use the holes in the plate as a template to mark the spot to drill for anchors. Remove the backstops and the rails and drill (diameter 32 mm, depth 220 mm). Clean and fill them (about $\frac{3}{4}$ of the depth of the hole). Keep the holes free from water, snow or other substances. Insert the threaded rods, following the instructions included with the anchor grout. Once the nuts are screwed to the threaded rods, tighten them to 60 Nm.

If the drilling template is available, place it in the final point and start marking the holes with spray paint. Once all the holes are marked, remove the drilling template and start drilling (diameter 32 mm, depth 220 mm, see Figure 1a). Clean and fill the holes (about $\frac{3}{4}$ of the depth of the hole). Keep the holes free from water, snow or other substances. Insert the threaded rods, following the instructions included with the anchor grout. Once the nuts are screwed to the threaded rods, tighten them to 60 Nm.

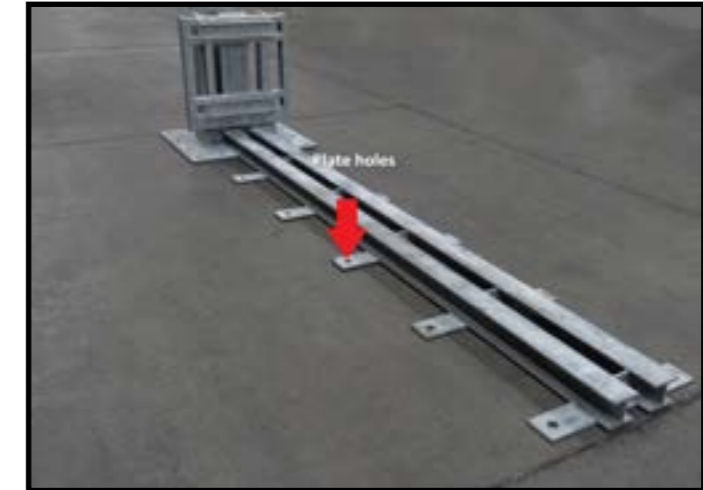


Figure 2 Backstop and rails

2. Fixing the rails

Fix the rear rail to the backstop (tightening to 60 Nm) as shown in figure 3a. Fix the two rails between them (tightening to 60 Nm) as shown in figure 3b.

For systems 80 and 50, the rail is a single piece.



Figure 3a Fixing rails to backstop



Figure 3b Fixing rail 1 to rail 2

3. Supports and Tubes Installation

Fit the intermediate support (pre-assembled with wheels, panels and shock absorbers, figure 4a and 5a) into the rail, making sure the shock absorbers are facing the front of the system, and slide to approximately 92 cm from it (length of TUB0007).



Figure 4a Pre-mounted intermediate support



Figure 4b Pre-mounted intermediate support

Use the same procedure for mounting all the intermediate supports. Utilizzare la stessa procedura per montare tutti i supporti intermedi. Fit the tubes between the rear support of the backstop and between one intermediate support and the next one (figure 5b). The tubes have to be fixed to supports with the suited clamps (TAUFSKE134, see figure 6). Nut and screws tightening for the supports has to be: for the panels 15 Nm, small wheels 15 Nm, shock absorbers 15 Nm.



Figure 5a Input of the first intermediate support



Figure 5b Input of the tubes



Figure 6 Tubes fixing



Figure 7a Tubi lunghezza 20 cm

Fix the last tubes (short tubes L=200) of the first bayas shown in figure 7a and 7c for the TAU Tube™110, 100, 80.

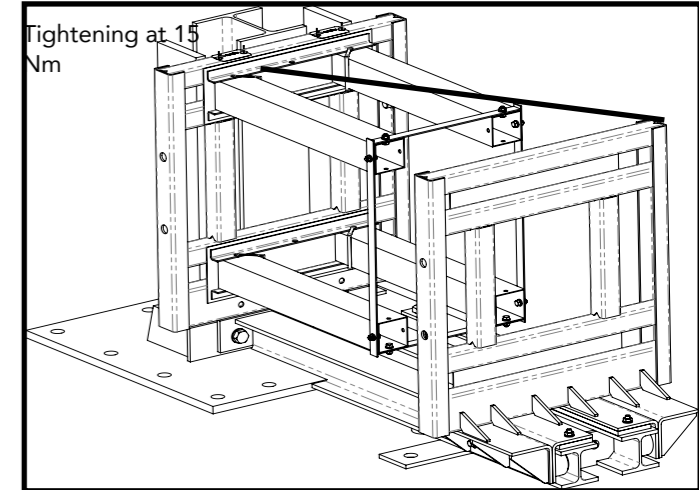


Figure 7b Tightening tubes to tubes support

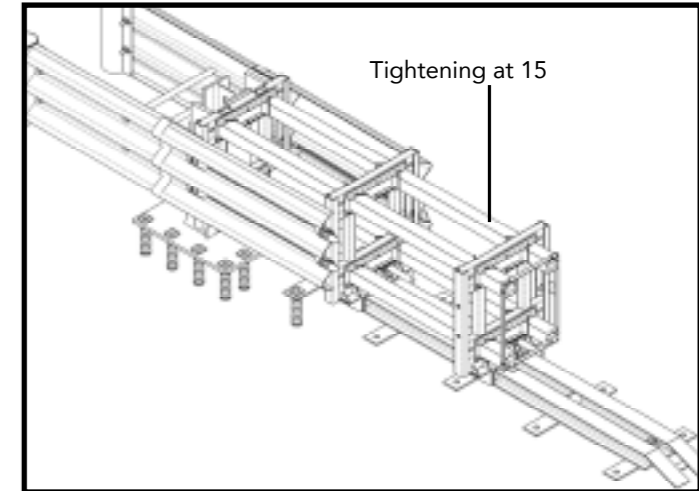


Figure 7c Tightening tubes to tubes support

For the TAU Tube™ 50 insert the short tubes length 600 mm directly to the backstop. At this point insert the last support (pre-assembled front support, Figure 4b) taking extreme care that the longest face of the truck is facing the front part of the system (Figure 8).

Before placing the support at the right distance for creating the first bay insure to have fixed the rail terminal (see point 4).

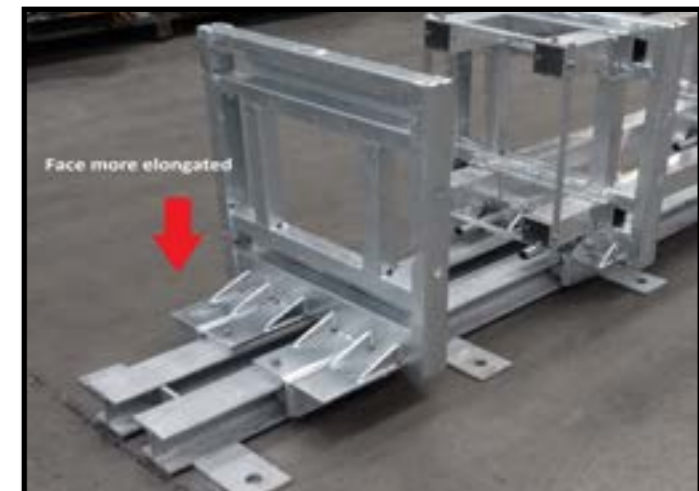


Figure 8 Input of front support

4. Terminal rail

Fix the terminal rail (tightening to 60 Nm) as shown in figure 9 then place the front support (the one free of the tubes) at a distance of 920 relative to the support with the short tubes for the TAU Tube™ 110, 100 and 80, for the TAU Tube™ 50 at the same distance but from the backstop.



Figure 9 Terminal fixing

5. Assembling the 3-beam panels and fixing the sliders

Fits the panels on both sides of the system, starting with the back of the crash cushion. Secure the panels and sliders with the suitable screws, and tighten the sliders to 60 Nm. At this stage of the assembly procedure, do not secure the panels to the front support, which has to accommodate the nose later on (figure 10a/b/c).



Figure 10a Mounting of the panels and of the sliders



Figure 10b Mounting of the panels and of the sliders

6. Nose and tube crosspieces

Secure the nose to the first few panels (tighten to 40 Nm), use the plate instead of the slider (TUB0041, figures 11a, 11b). Then, fasten the tube crosspieces (figure 12) to the end panel (tighten to 60 Nm).



Figure 10c Mounting of the panels and of the



Figure 11a Fixing the nose to the panels



Figure 11b Fixing the nose to the panels

V-SHAPED VERSIONS

Before starting to install any v-shaped Tau Tube™(XL example), consult the packing list and see if any connection is needed between the parts of the crash cushion and the existing construction.

1. Installing the backstops and rails

See paragraph 1 version TAU Tube™ parallel.

2. Fixing the rails

See paragraph 2 version TAU Tube™ parallel.

3. Supports, beam supports and tube installation

Secure the rear support to the backstop (tightening 60 Nm) as shown in figure 13.

Fit the supports (pre-assembled with wheels, panels and shock absorbers, like the support for the parallel Tau Tube™, see figure 4) into the rail, in the same way as for the parallel Tau Tube™, in the sequence shown in the Tau Tube™ XL drawings, making sure the shock absorbers are facing the front of the system and the longer face of the truck is facing the front of the system. Leave a gap of approximately 92 cm (length of bay) between the supports.

Install the panel supports as shown in figure 14 and tighten to 60 Nm.

Insert and fix the tubes with the clamps according to the sequence in the drawings of the Tau Tube™ XL family, approaching the supports creating the bay unit (example figure 5a, 5b, 6). In the first bay fix the short tubes of 200 mm length as shown for Tau Tube™ parallel (figure 7a/c).



Figure 12 Mounting of the tube crosspieces

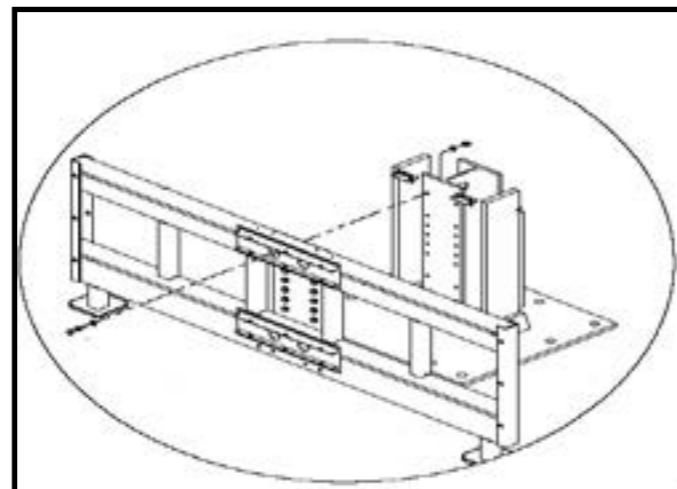


Figure 13 Rear support fixing

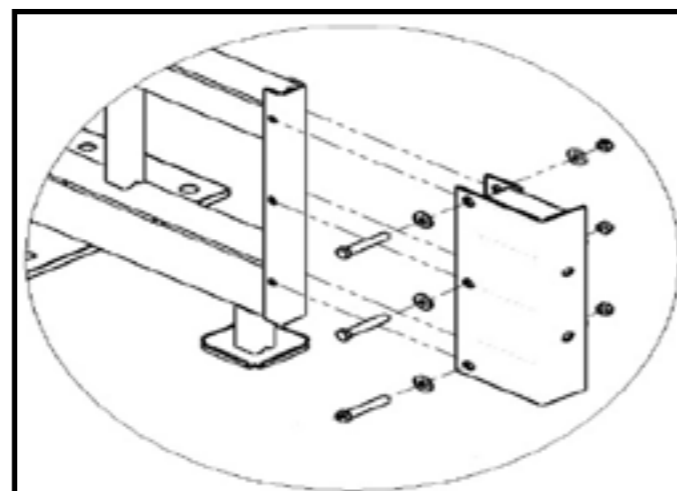


Figure 14 Installation panel supports

4. Rail Terminal

See paragraph 4 version TAU Tube™ parallel.

5. Assembling the 3-beam panels and fixing the sliders

See paragraph 5 version TAU Tube™ parallel.

6. Nose and tube crosspieces

See paragraph 6 version TAU Tube™ parallel.

PRE-ASSEMBLED SYSTEM ON PLATE

1. Installation

For the “temporary” solution pre-assembled on a plate (outside the CE Marking), at first place the system in its final position (figure 15). Use the holes in the plate as a template to mark the spot to drill for anchors. Remove the system and drill (∅ 30 mm, depth 600 mm). Clean and replace the system.

Keep the holes free from water, snow or other substances. Insert the pins (figures 16) in 30 holes and thump them, until the total input. Reposition the system and once the nuts are screwed to the threaded rods, tighten them to 60 Nm. Recheck the tightening of the system, especially the one of the sliders that must be at least 60 Nm.



Figure 15 Positioning Tau Tube® pre-assembled on plate

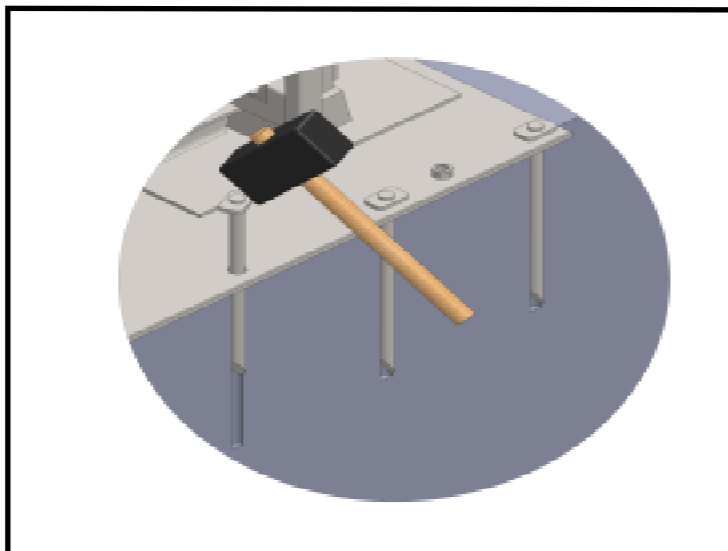


Figure 16 thumping of the pins

GROUND AND FOUNDATIONS

The ground for placing the device should **not be broken or rough, nor have holes or bumps**. The drilling plane shown in the drawing below should be taken into consideration, so that installation of the system does not damage what is already present on the ground and does not alter structural integrity and performance..

No pavements or islands in front of the crash cushion, to avoid any ramp effect. If the Tau Tube™ is placed on a pavement or island, such pavement or island must be lower than **10 cm**, otherwise remove it to prevent the attenuator behaving improperly in an impact.

Installation can be done only on asphalt or concrete. The installation can be done on asphalt, following the minimum conditions in the following table, always using fixing bars.

LAND / BASEMENT	TYPE AND THICKNESS	ANCHOR
CONCRETE	250 mm OF CONCRETE WITH SQUARED NET	■ ●
ASPHALT	250 mm OF ASPHALT	■ □
MIXED ASPHALT AND CONCRETE	150 mm OF ASPHALT AND 150 mm OF COMPACT GROUND	■ □
MIXED ASPHALT AND CONCRETE	100 mm OF ASPHALT AND 200 mm OF CONCRETE	■ □

■ fixing bars ● threaded bars □ threaded bars with system until 100km/h

Please follow the description on basement drawings in the following pages when installin Tau Tube™ on concrete.

In limited cases due to problematic installation sites because of disconnections and / or grades of the land and / or lack of depth for anchoring the grinding (also by oxyfuel cutting) might be possible “on site” in phase installation, after consultation with Technical Department.

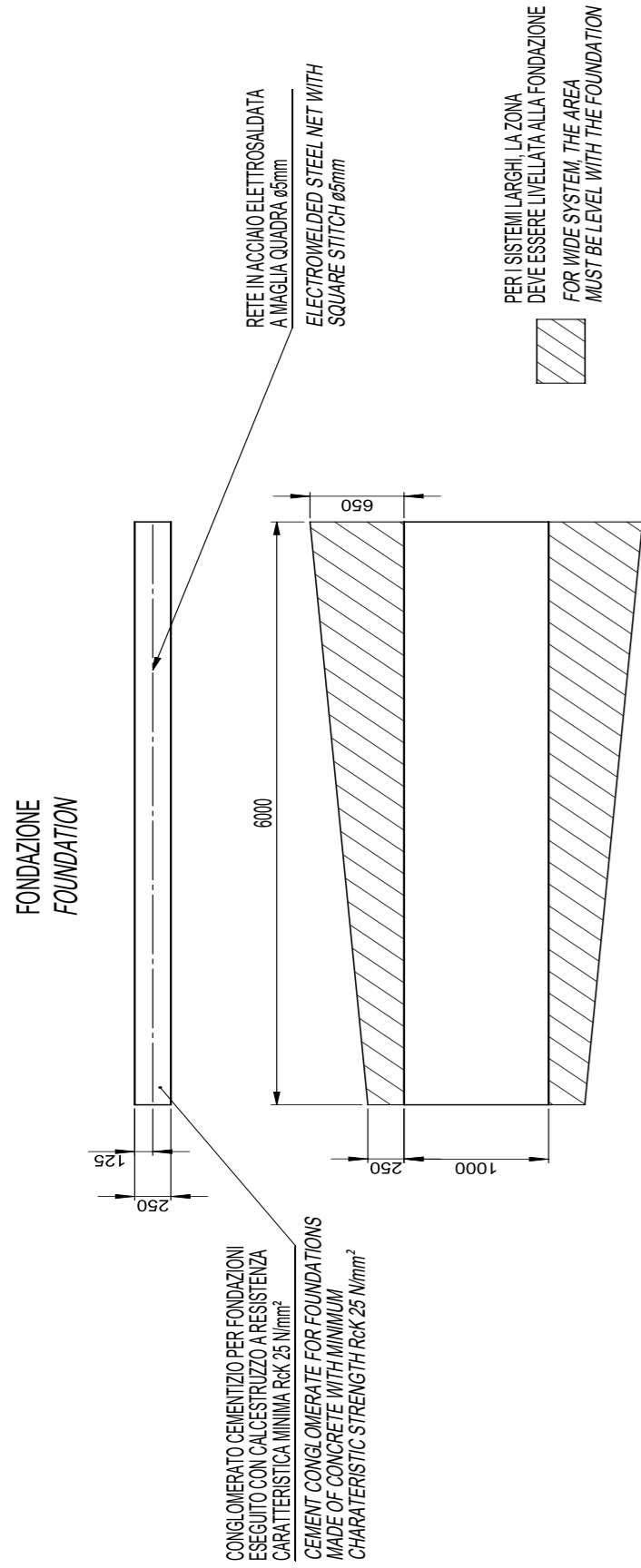
In case of a surface with slope of more than 8% (5°), level the pavement.

GROUT - USE AND STORAGE

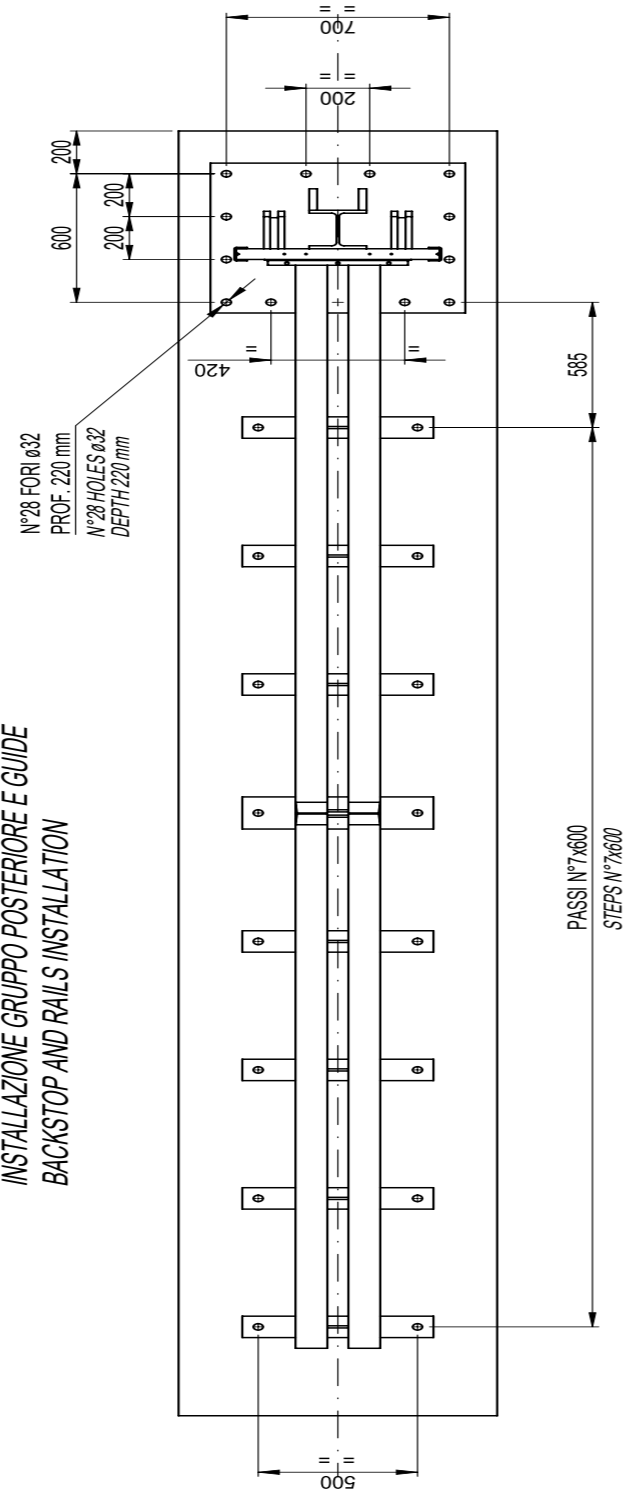
According to technical data sheet, it is **recommended to store the grout in the original packaging in a dry and sheltered area with a temperature between 10 to 30°C**. or the due date, please check the label. **It is mandatory to use for the installation either the supplied grout or a grout with equivalent carachteristics: Malta Hilti CM 730 EAN**, bi-component grout based on polyester resin. **For the use of the grout, please follow the required conditions pointed out by the manufacturer in installation instructions available inside the packages.**

The quantity of grout is related to the size of the holes as shown in the drilling plans.

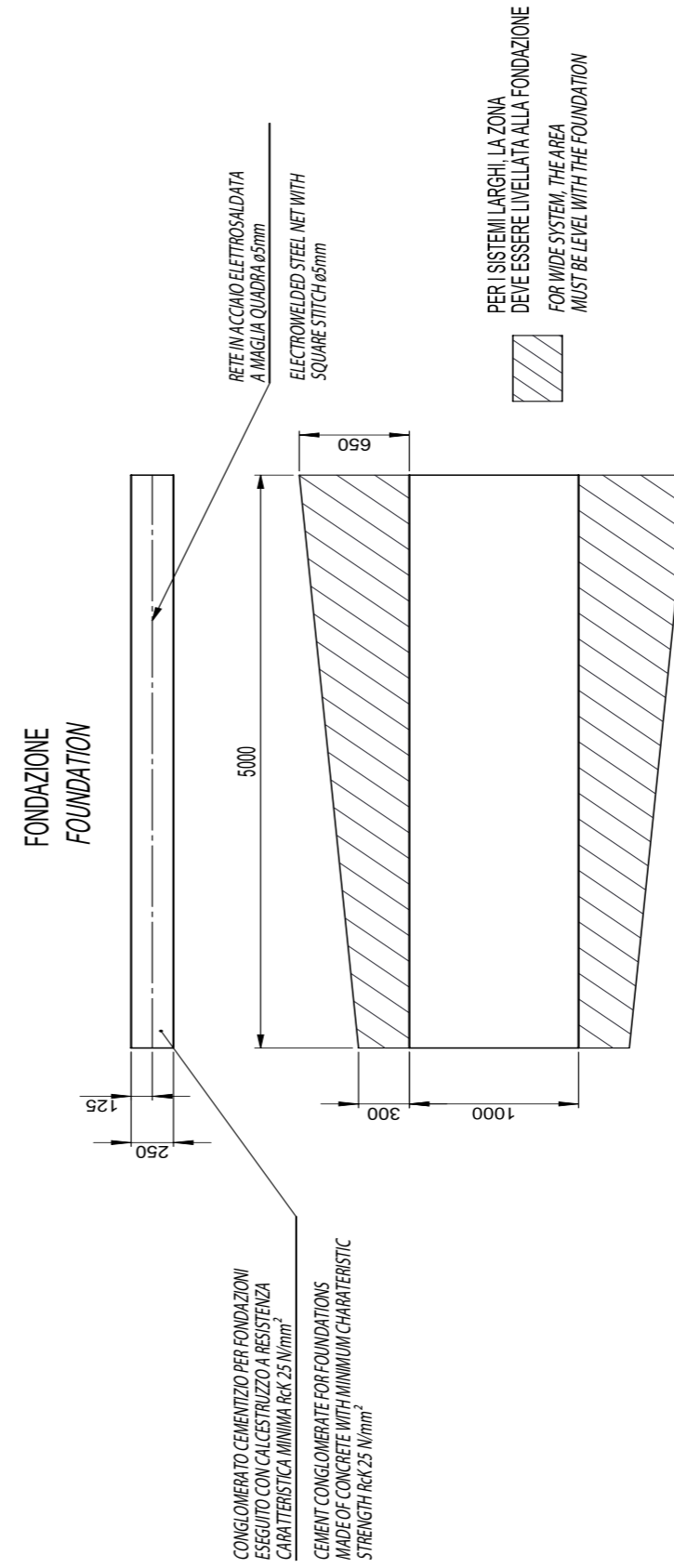
DRILLING AND FOUNDATION PLANS THREADED BARS M24 TAU TUBE™ P110



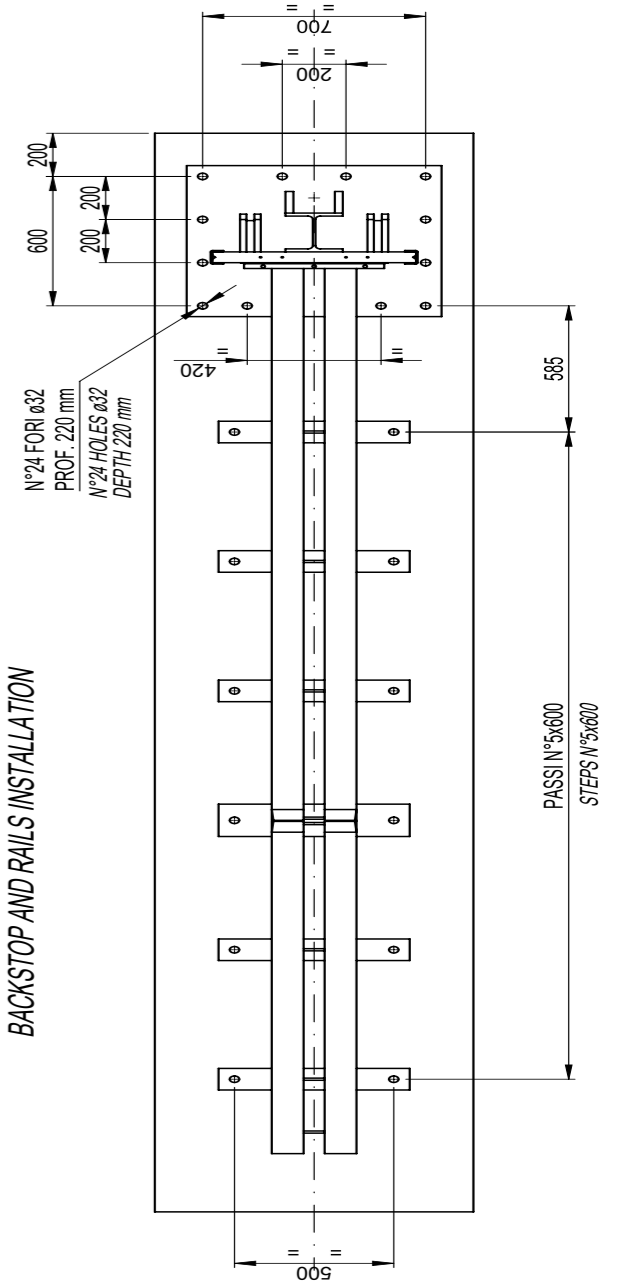
INSTALLAZIONE GRUPPO POSTERIORE E GUIDE BACKSTOP AND RAILS INSTALLATION



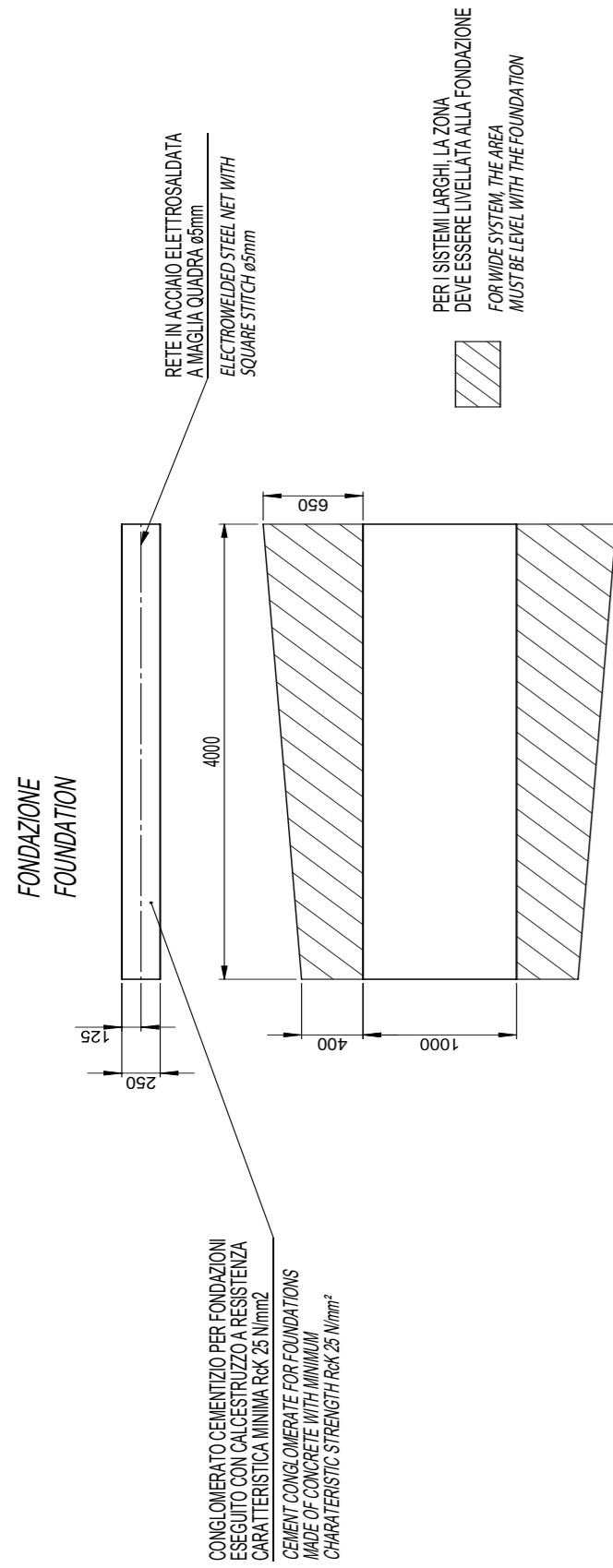
DRILLING AND FOUNDATION PLANS THREADED BARS M24 TAU TUBE™ P110



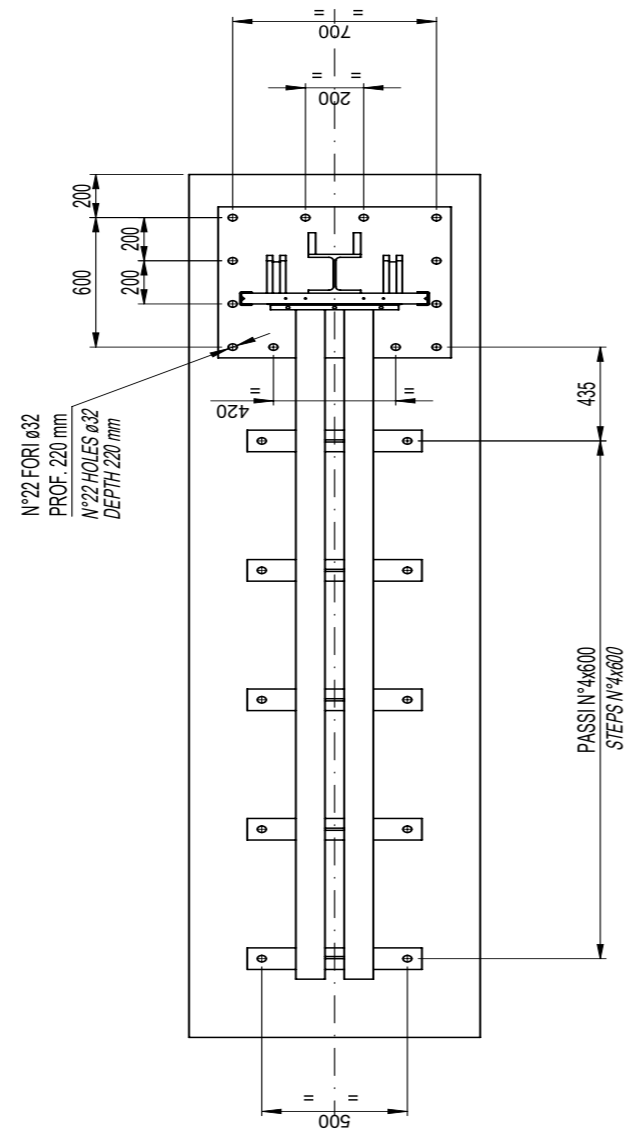
INSTALLAZIONE GRUPPO POSTERIORE E GUIDE BACKSTOP AND RAILS INSTALLATION



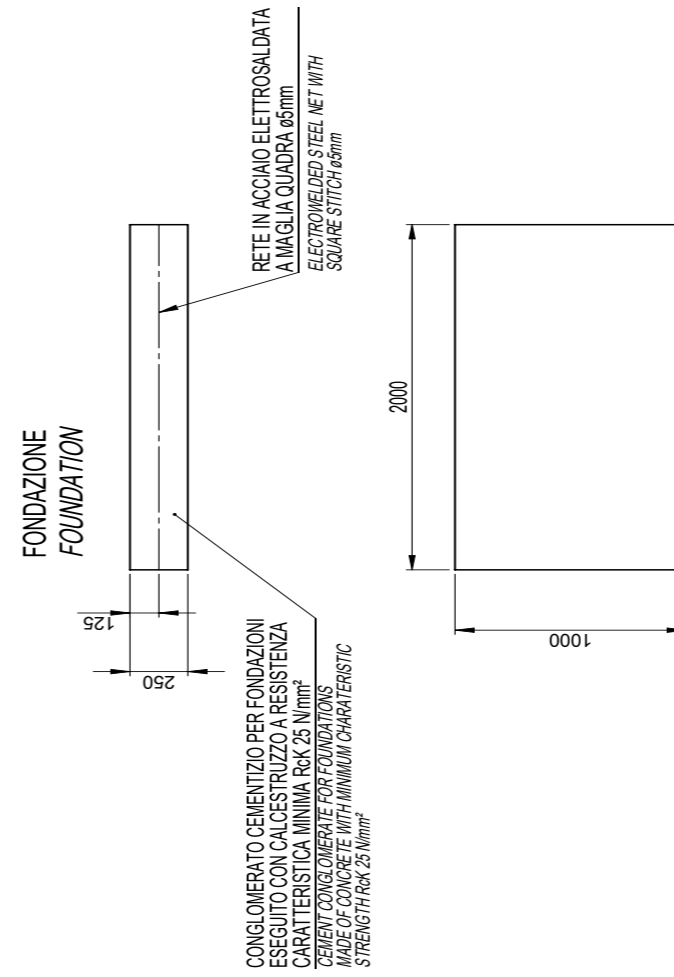
DRILLING AND FOUNDATION PLANS THREADED BARS M24 TAU TUBE™ P80



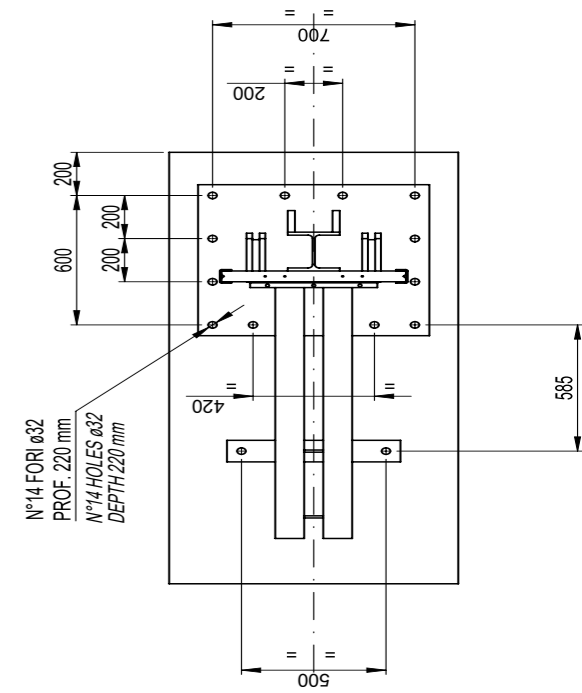
INSTALLAZIONE GRUPPO POSTERIORE E GUIDE BACKSTOP AND RAILS INSTALLATION



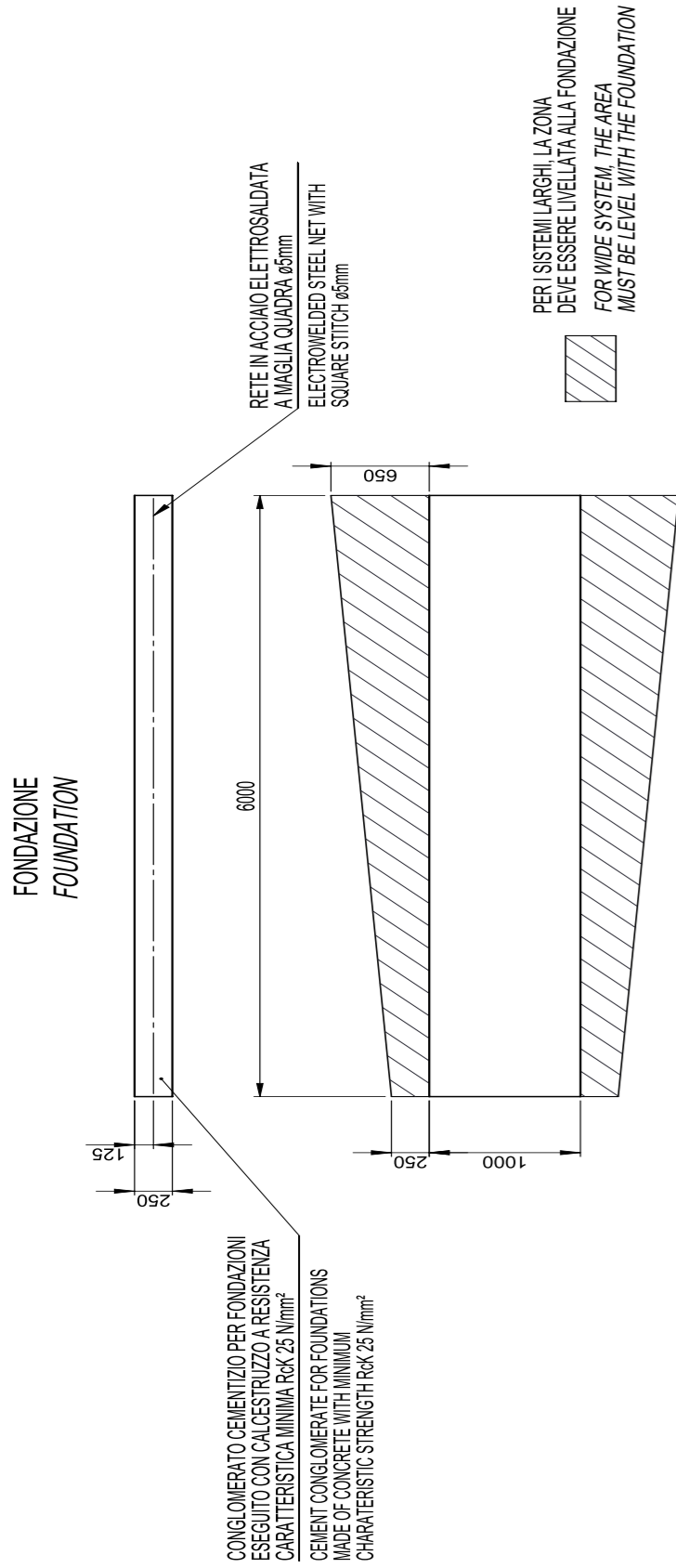
DRILLING AND FOUNDATION PLANS THREADED BARS M24 TAU TUBE™ P50



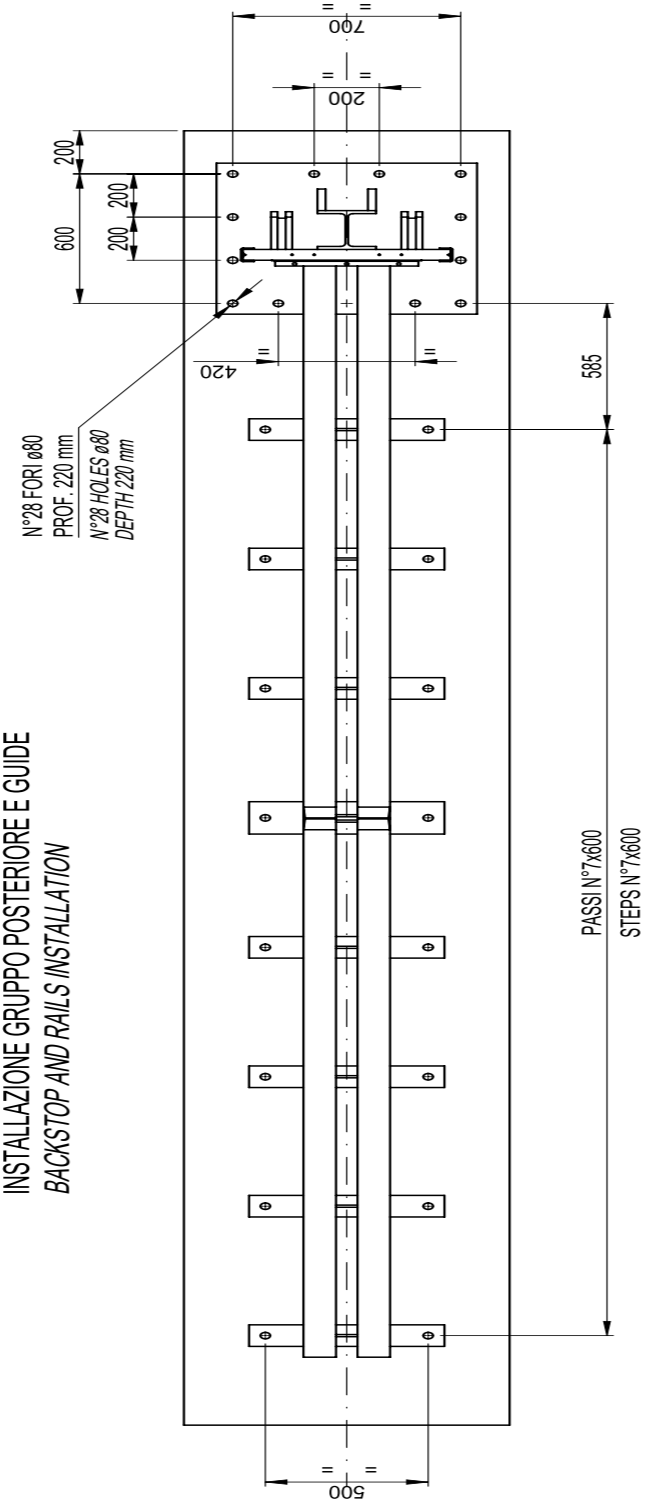
INSTALLAZIONE GRUPPO POSTERIORE E GUIDE BACKSTOP AND RAILS INSTALLATION



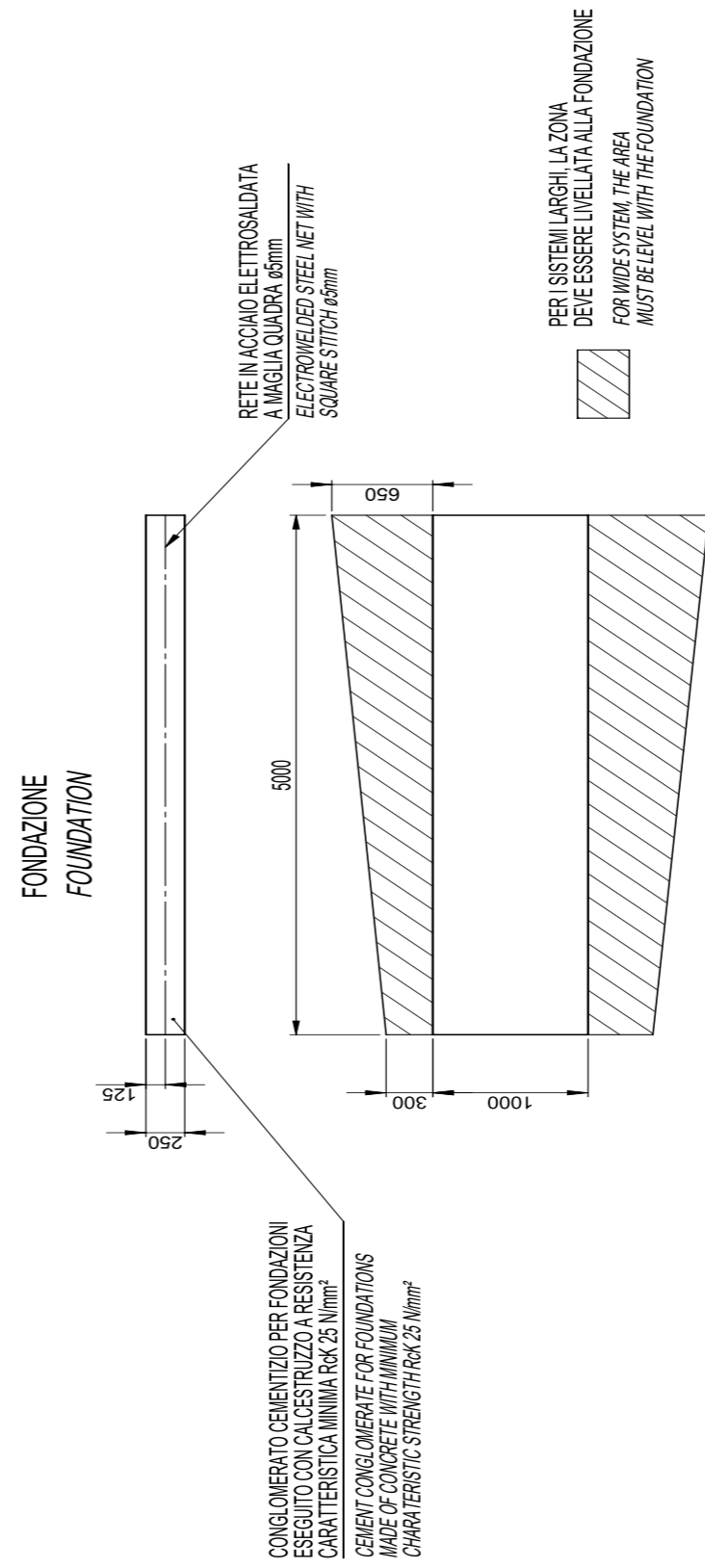
DRILLING AND FOUNDATION PLANS FIXING BARS TAU TUBE™ P110



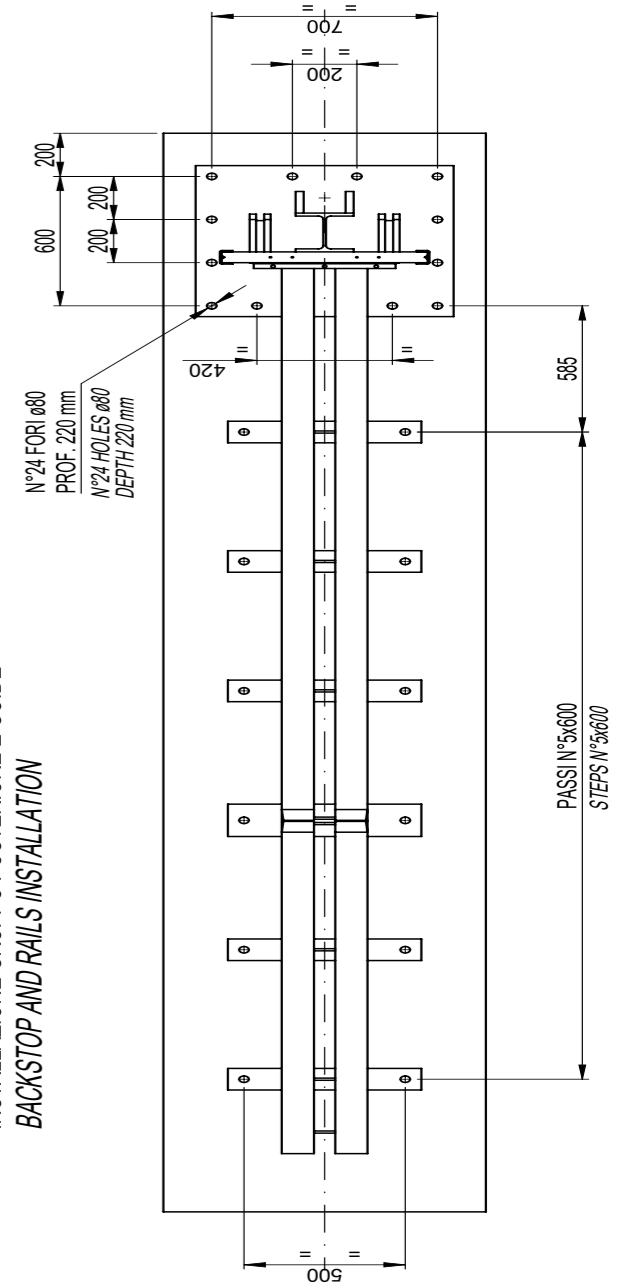
INSTALLAZIONE GRUPPO POSTERIORE E GUIDE BACKSTOP AND RAILS INSTALLATION



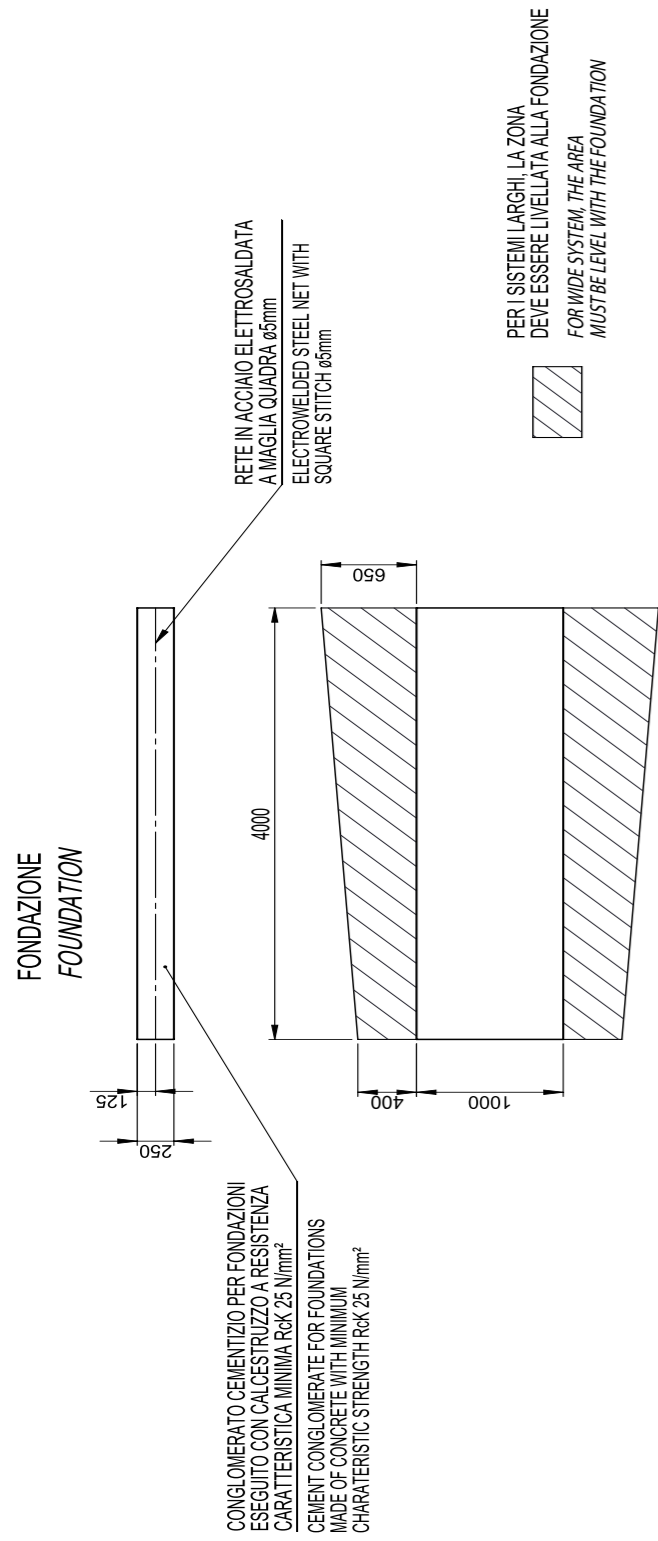
DRILLING AND FOUNDATION PLANS FIXING BARS TAU TUBE™ P100



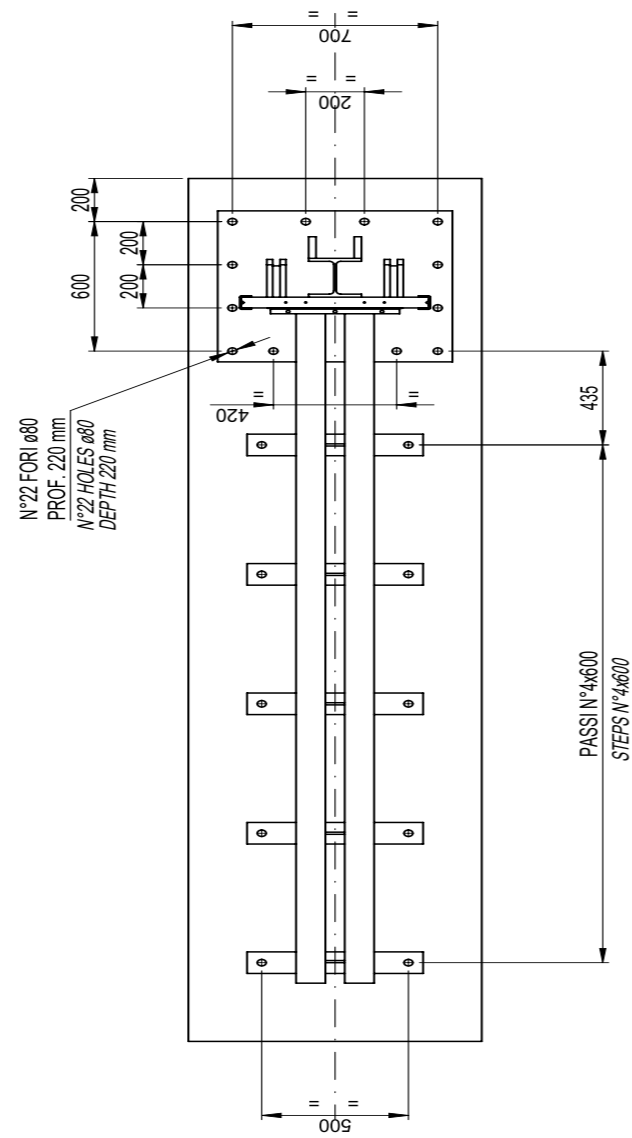
INSTALLAZIONE GRUPPO POSTERIORE E GUIDE BACKSTOP AND RAILS INSTALLATION



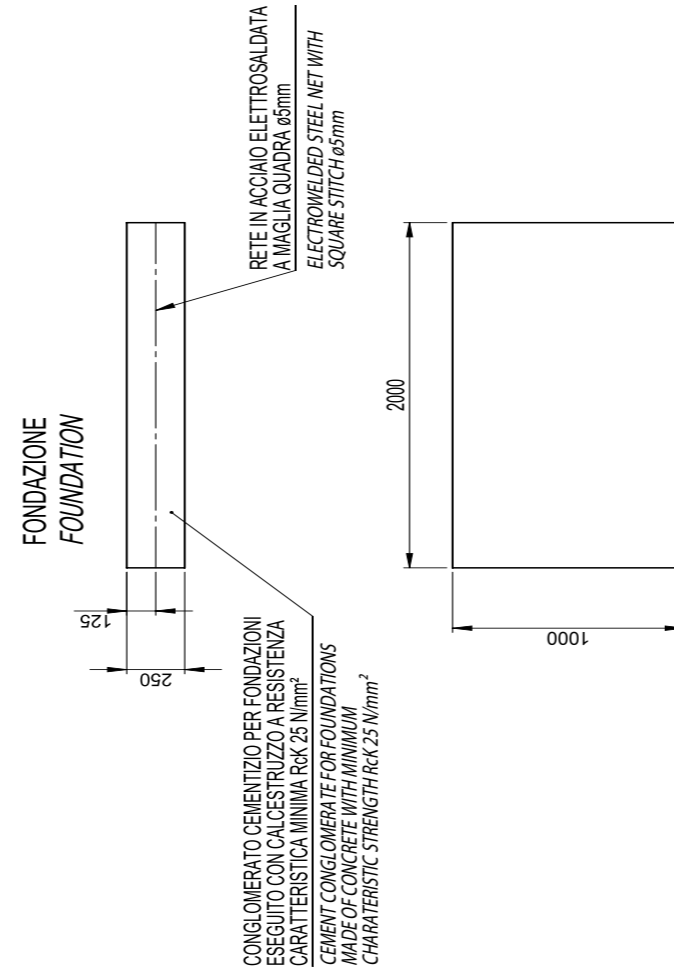
DRILLING AND FOUNDATION PLANS FIXING BARS TAU TUBE™ P80



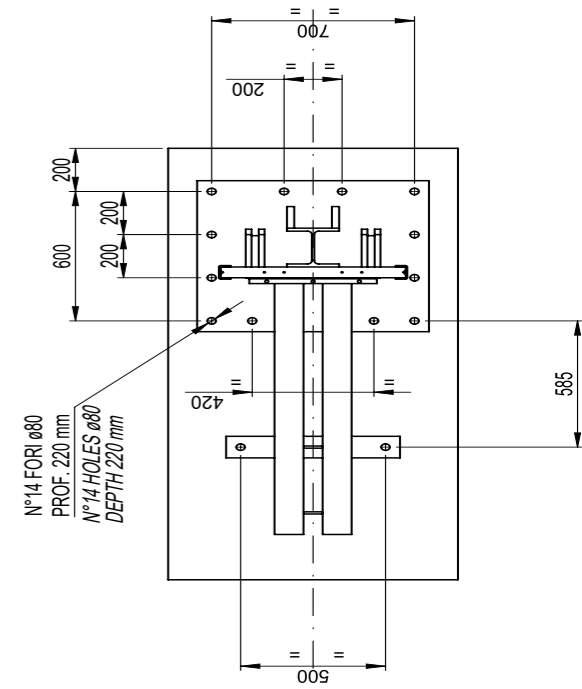
INSTALLAZIONE GRUPPO POSTERIORE E GUIDE BACKSTOP AND RAILS INSTALLATION



DRILLING AND FOUNDATION PLANS FIXING BARS TAU TUBE™ P50



INSTALLAZIONE GRUPPO POSTERIORE E GUIDE BACKSTOP AND RAILS INSTALLATION



INSPECTION AND MAINTENANCE

The components of the TAU Tube™ system require no maintenance. Periodic inspections are recommended to check any deposits found.

Regarding periodic inspections, the following is suggested:

- Verify the conditions of the aluminum tubes (absence of objects or debris deposited on them).
- Verify that the rails are free of debris of any kind (stones, objects that could affect system operation).
- Check the condition of the nose (total integrity, even in the fixing holes); it must be replaced even if partially damaged.
- Flush the whole system using a pressure washer with a solution of water and a suitable but not aggressive detergent.

REPAIRS

If an accident occurs, the system must be restored, in particular only the damaged parts need to be replaced. Construction of the TAU Tube™ is designed in such a way that the number of components to be replaced in case of an accident is limited to the minimum necessary. For the TAU Tube™ system to work properly, it is best to use Snoline factory parts and have repairs made by qualified, expert personnel, following the instructions in the sections on assembly and installation.

Non observance of the installation instructions may result in non-conforming performance.

No unauthorized changes to system components, if would be necessary to make changes or repairs on site call, before proceeding, the technical department of Snoline S.p.A. at +39 02909961 in order to guarantee the proper functioning of the device. In case of detection of galvanizing defects it is recommended to renew the affected area using the treatment described in "repair" of the UNI ISO 1461: remove scales and then do the repair with thermal spray zinc using a paint with high content of zinc.

CONNECTIONS

The fittings may vary depending on where the TAU Tube™ is installed, on the type of barrier or obstacle that is behind the attenuator itself. The Tau Tube™ is provided with an endpiece which can be used if there is no connection to the existing barrier panel, part no. TAU0025, final beam tube.

1. Assembly of end tube to final beam.

Put the end tube in place and secure it to the end blade with the suitable screws (tighten to 15 Nm).



Figure 15 Mounting end tube

SUMMARY TABLE TIGHTENINGS

Assembly	Application on components	Tightening torque (Nm)
Intermediate support TUB0021	Tightening nuts on components TUB0025 / TUB0027 / TUB0029 / TUB 0042	15
Front support TUB0024	Tightening nuts on components TUB0038 / TUB0025 / TUB0029	15
Backstop TUB0008	Tightening nuts	15
Rear rail TUB0032	Tightening rear rail to Backstop TUB0008	60
Front rail TUB0031	Tightening front rail to rear rail TUB0032	60
Tubes supports TUB0045	Tightening tubes support on short tubes TUB0046	15
Terminal for rail TUB0047	Tightening terminal on rail	60
Panels TAU0009, TAU0020	Tightening panels	60
Nose TAU0010	Tightening panel to nose	40
Tube crosspieces TUB0028	Tightening nuts	60

The information held in this manual are based on information in our possession **Snoline Spa** won't assume any responsibility for irregular use outside the official data supplied. All the data held in this manual are exclusively owned by **Snoline SpA**. They cannot be used, abused and/or released without a previous written agreement by **Snoline SpA**..